

15" x 15" Top Mount Single Bowl Bar Sink

Product Specifications



PRODUCT FEATURES

- 23 Gauge
- 300 Series Stainless Steel
- Satin Finish
- Sound Absorption Pads

MATERIALS & SPECIFICATIONS



MLD15152 shown

Installation Type:	Top Mount
Material:	300 Series Stainless Steel
Finish:	Satin
Gauge:	23
Sound Deadening:	Bottom Only Pads
Number of Bowls:	1
Sink Dimensions:	15" x 15" x 5-3/16"
Bowl Dimensions:	12" x 10" x 5"
Drain Size:	2" (51mm)
Drain Location:	Center
Minimum Cabinet Size:	18"
Mounting Hardware:	Part# 64090004 included for countertops up to 3/4" (19mm) thick
Cutout Template #:	Available on Mainline Collection.com

✓ To Submit	Part No.	Description
	MLD15151	Single Hole
	MLD15152	Two Hole

This sink is compliant to ADA and ANSI/ICC A117.1 accessibility requirements when installed according to the requirements outlined in these standards.

Sinks are listed by IAPMO® as meeting the applicable requirements of the Uniform Plumbing Code®, International Plumbing Code®, and National Plumbing Code of Canada.

These sinks comply with ASMEA112.19.3/CSA B45.4



Warranty: See warranty information for more detail.

All dimensions listed are nominal. MAINLINE® reserves the right to make product and material changes at any time without notice.

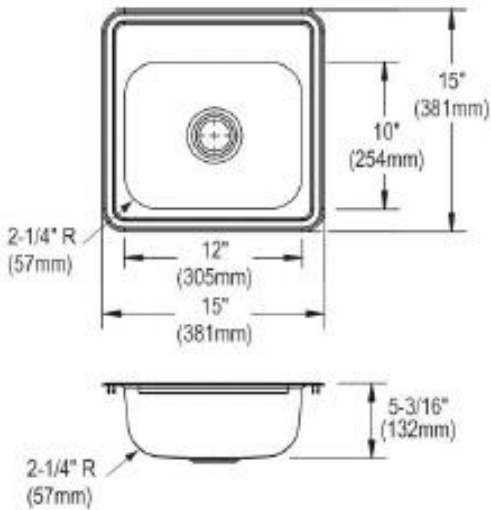
Contact your sales representative for more information or visit our website at mainlinecollection.com

15" x 15" Top Mount Single Bowl Bar Sink

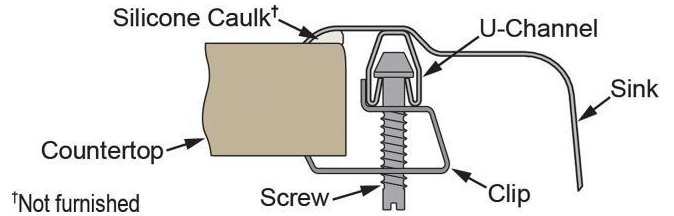
Product Specifications



DIMENSIONS



Installation Profile:



CUT OUT DIMENSIONS FOR TOP MOUNT INSTALLATION

- 14-3/8" X 14-3/8" with 1-1/2" corner radius

HOLE DRILLING CONFIGURATION

- 1-1/4" (32mm) diameter faucet holes for 1 or 2 hole models
- Faucet holes on 4" (102mm) centers



Warranty: See warranty information for more details.

All dimensions listed are nominal. MAINLINE® reserves the right to make product and material changes at any time without notice.

Contact your sales representative for more information or visit our website at mainlinecollection.com

