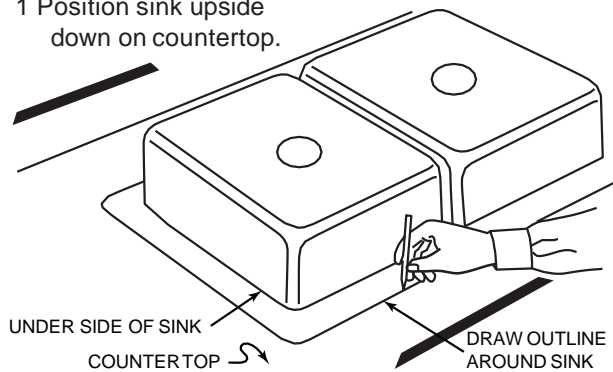
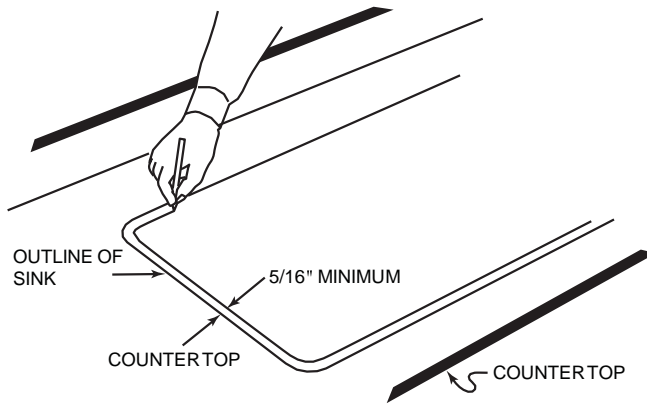




1 Position sink upside down on countertop.

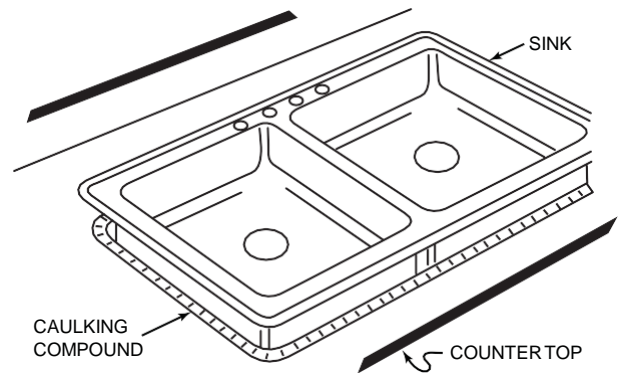


2 Draw line 5/16" inside outline of sink.



3 Cut on inside line. Cut straight front-to-back and left-to right.

4 Apply caulking compound around cutout on countertop top surface.



5 Mount faucet and drain(s) in place on sink and tighten per manufacturer's instructions.

6 Set sink in cutout.

7 Preassemble clamps, screws and plastic pads.

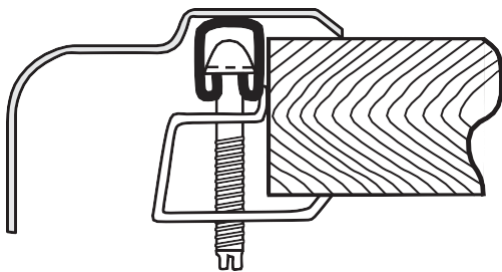
8 From underside – place clamp in center along each side and hand tighten to hold sink in place. Fasten balance of clamps along edges spaced approximately 3" from each end, and equally along front, back and sides.

9 From the top – check seal between sink edge and countertop. Adjust clamps if necessary.

10 Lightly tighten clamps evenly with screw driver or socket wrench until sink is perfectly tight to countertop.

CAUTION: Do not over tighten clamps.

DETAIL OF CLAMP DEVICE



MAXIMUM CUTOUT SIZES SHOULD BE:

Sink Size	Cutout Size	Cutout Corner Radius
33" x 22"	32-3/8" x 21-3/8"	1-1/2"
25" x 22"	24-3/8" x 21-3/8"	1-1/2"
17" x 21"	16-3/8" x 20-5/8"	1-1/2"
17" x 19"	16-3/8" x 18-3/8"	1-1/2"
15" x 15"	14-3/8" x 14-3/8"	1-1/2"

All dimensions listed are nominal. MAINLINE® reserves the right to make product and material changes at any time without notice.

Contact your sales representative for more information or visit our website at mainlinecollection.com