

# Class 125 Bronze Angle Valves

Screw-In Bonnet • Integral Seat • Renewable Seat Disc

125 PSI/8.6 bar saturated steam to 353° F/178° C  
200 PSI/13.8 bar non-shock cold working pressure

CONFORMS TO MSS SP-80

## MATERIAL LIST

PART	SPECIFICATION
1. Handwheel Nut	300 Series Stainless Steel
2. Identification Plate	Aluminum
3. Handwheel	Malleable Iron ASTM A 47
4. Stem	Silicon Bronze ASTM B 371 Alloy C69400/C69430
5. Packing Gland	Bronze ASTM B 62 or ASTM B584 Alloy C84400 or Brass ASTM B 16
6. Packing Nut	Bronze ASTM B 62 or ASTM B584 Alloy C84400 or Brass ASTM B 16
7. Packing	Aramid Fibers with Graphite
8. Bonnet	Bronze ASTM B 62
*9. Disc Holder Nut	Bronze ASTM B 62 or B 140 Alloy C31400
10. Disc Holder	Bronze ASTM B 62
11. Seat Disc	Steam (PTFE) (Y)
12. Seat Disc Nut	Bronze ASTM B 62 w/SS Washer
13. Body	Bronze ASTM B 62

\* 2½" and 3" are ASTM B 61

## DIMENSIONS—WEIGHTS—QUANTITIES

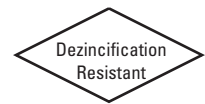
Size	Dimensions				T-311		S-311		Master Ctn. Qty.			
	In.	mm.	In.	mm.	In.	mm.	Lbs.	Kg.				
*¼	8	3.50	89	.94	24	1.19	30	0.98	0.44	0.82	0.37	50
*⅜	10	3.50	89	.88	22	1.19	30	0.93	0.42	0.82	0.37	50
*½	15	3.50	89	.88	22	1.31	33	1.01	0.46	0.95	0.43	30
¾	20	4.94	126	1.13	29	1.56	40	1.70	0.77	1.71	0.78	20
1	25	5.75	146	1.44	37	1.88	48	2.82	1.28	2.79	1.27	10
1¼	32	6.13	156	1.50	38	2.19	51	3.76	1.70	3.77	1.71	10
1½	40	7.25	179	1.75	45	2.38	60	5.79	2.63	4.70	2.13	6
2	50	8.13	206	2.16	55	2.81	72	8.76	3.97	8.73	3.96	4
2½	65	10.56	268	2.69	68	3.19	81	16.13	7.32	16.13	7.32	2
3	80	11.19	284	3.25	83	3.88	99	21.72	9.85	21.32	9.67	2

\* Stem and Disc or Disc Holder are integral. No packing gland, packing only in these sizes.

**FREEZING WEATHER PRECAUTION:** Subsequent to testing a piping system, valves should be left in an open position to allow complete drainage.

◆ For detailed Operating Pressure, refer to Pressure Temperature Chart on page 114.

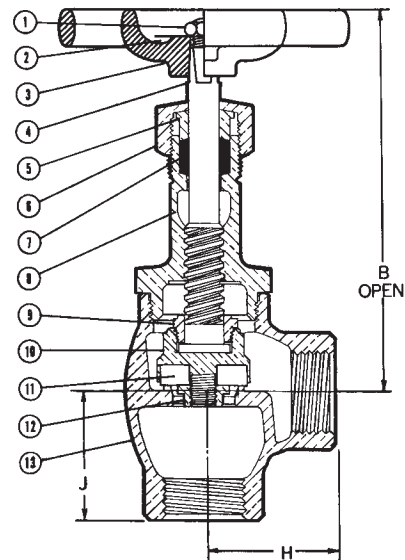
**WARNING:** This product can expose you to chemicals including lead, which is known to the State of California to cause cancer and birth defects or other reproductive harm. For more information go to [www.P65Warnings.ca.gov](http://www.P65Warnings.ca.gov).



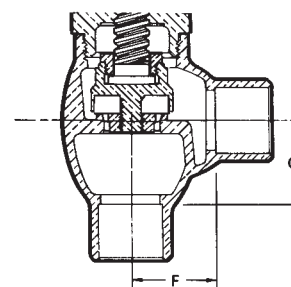
**T-311-Y**  
Threaded



**S-311-Y**  
Solder



**T-311-Y**  
NPT x NPT



**S-311-Y**  
C x C

Visit our website for the most current information.