

Floor Mount Universal Flush Valve Elongated, Two-Piece Toilet Bowl

Product Specifications



Features

- Grade A Vitreous China
- 1.1 GpF High Efficiency Bowl
- Also works with 1.28 GpF Flush Valve
- Elongated Bowl – 16-1/2" Height
- Top Spud
- 10" Rough-in
- 2" Fully Glazed Trapway
- Siphon Jet Flush Action
- Contributes toward LEED
- Flush Valve & Toilet Seat not included
- Mainline Toilet Seat Sold Separately



MLS10424

Certifications

- IAPMO UPC
- ASME A112.19.2
- ADA ANSI A117.1
- 800g MaP Rating



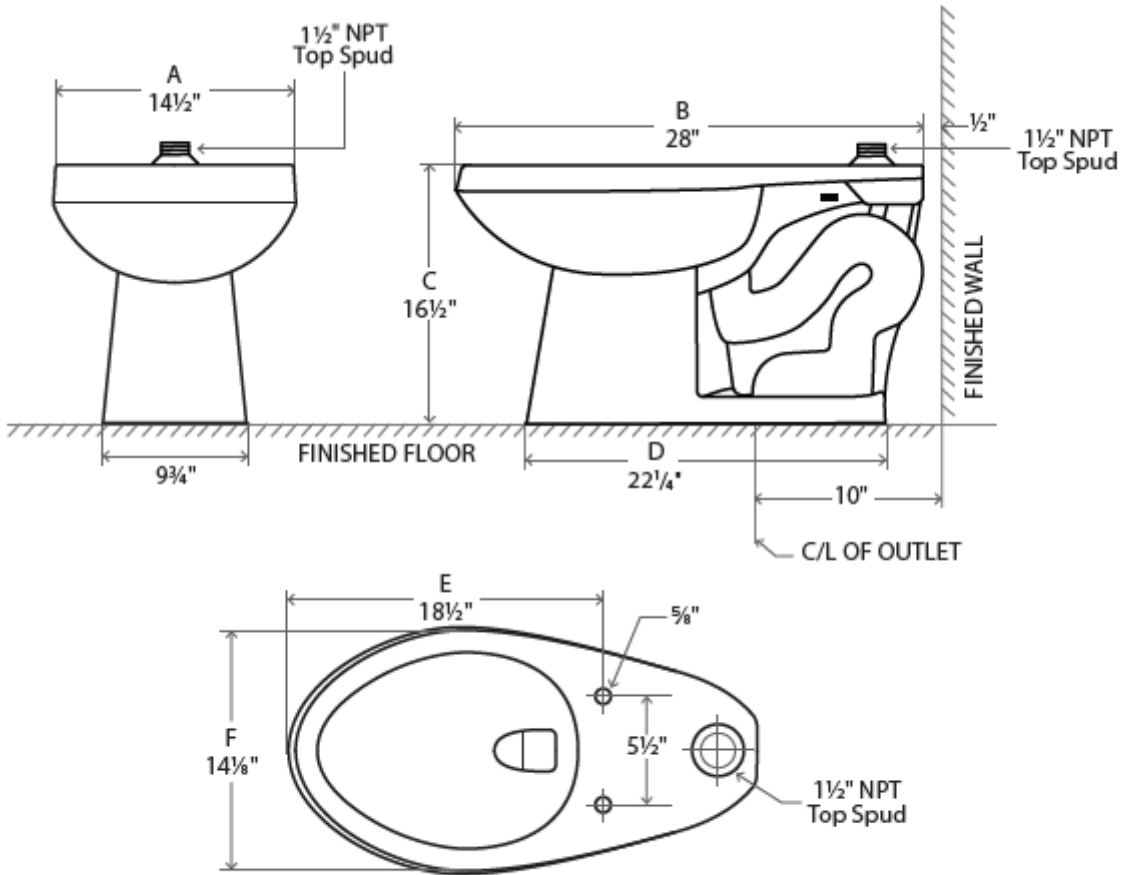
All dimensions listed are nominal. Mainline® reserves the right to make product and material changes at any time without notice.

Contact your sales representative for more information or visit our website at mainlinecollection.com

Revised 8/9/2021

Floor Mount Universal Flush Valve Elongated, Two-Piece Toilet Bowl

Product Specifications



Weight: 50 lbs; 22.62 kgs.

To Submit	Part No.	A	B	C	D	E	F
	MLS10424	14-1/2"	28"	16-1/2"	22-1/4"	18-1/2"	14-1/8"

Contact your sales representative for more information or visit our website at mainlinecollection.com