

FIRE-RATED DOUBLE HOSE BIBB OUTLET CONNECTION OUTLET BOX WITH DRAIN BOX

696R series

Ox Box™

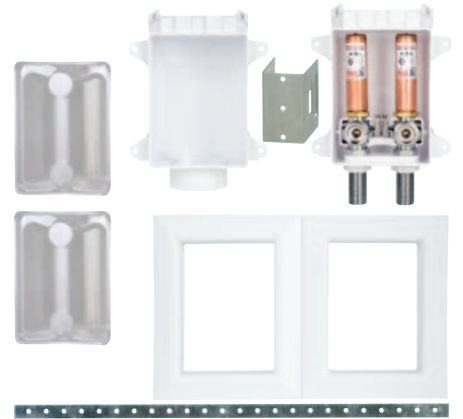
Item # Submitted	_____
Job Name	_____
Location	_____
Engineer	_____
Contractor	_____
PO#	_____ TAG _____

SPECIFICATION

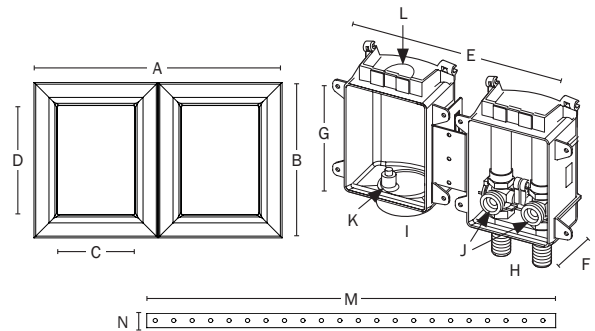
Sioux Chief 696R series Ox Box fire-rated double hose bibb outlet connection outlet boxes shall be used where necessary in plumbing supply/drainage systems. Unit shall allow for mounting with supply lines from top or bottom while straddling the stud. Unit shall be available with plain valves or valves with water hammer arresters. Arresters shall be certified to ASSE 1010 and shall be UPC listed. Metal support bracket shall install into top tracks of boxes for added support. Metal clip shall be installed on side slots of boxes in desired configuration. Drain box shall have a 5/8" integral testable nipple on knockout. Outlet connections shall be generally 3/4".

MATERIALS

- outlet box: ABS
 - frame: fire-rated ABS
 - frame extension*: fire-rated ABS
 - bracket: galvanized steel
 - box clip: galvanized steel
 - arrester clip/valve platform: ABS
 - arrester body: Type L copper
 - arrester piston: polypropylene with two EPDM o-rings
 - piston lubrication: Dow-Corning, 111 FDA approved silicone compound
 - valve body: chrome-plated forged brass
- * 696-EX available separately. Used with two layers of drywall for 2-hour specifications.



696R2313MF



VALVE/ARRESTER WORKING LIMITS

- max working temperature: 250°F
- max testing air pressure: 100 PSIG
- max working/testing pressure: 250 PSIG

INSTALLATION

Stud construction can be non-load bearing or load bearing. Wood or metal stud construction, max 100 in² of penetrations per 100 ft² of wall.

DIMENSIONS

A: frame width	11½"
B: frame height	7¼"
C: frame opening width	3⅝"
D: frame opening height	5⅛"
E: rough-in box width	4" (single box) 10" (double with clip)
F: rough-in box depth	3½"
G: rough-in box height	5½"
H: supply connections	½" nominal 2" O.C.
I: drain connection	2" hub DWV
J: outlet connections	¾" male hose thread
K: test nipple	⅝" O.D.
L: secondary drainage knockout ¹	accepts ½", ¾", or 1" pipe
M: bracket length	18"
N: bracket width	⅝"
bracket thickness	16 gauge

1 Secondary Drainage Funnel (696-CF) available separately.

CERTIFICATIONS/APPROVALS

Listed by UPC/IAPMO to meet UPC
 Conforms to IPC
 Listed by Warnock Hersey to meet:
 ASTM E-814, CAN/ULC S115
 2 hours (F), 1½ hours (T) for 2-hour design
 1 hour (F), 31 minutes (T) for 1-hour design
 ASTM E-119, UL 1479
 System design number:
 SC/WA120, W/N 14409
 Valves meet ASME A112.18.1
 SCM items available with no-lead valves
 are compliant with NSF-61 Annex G and
 California No Lead Plumbing Law



Create Item Number

696 A 23 B 3 C F

e.g. 696R2313MF = fire-rated double hose bibb outlet connection supply box and drain box, female sweat valves with arresters, packaged with frame

- | | | |
|---|---|--|
| <p>A VALVES</p> <ul style="list-style-type: none"> <input type="checkbox"/> R Plain valve <input type="checkbox"/> RG No-lead valves¹ <p>B ARRESTER</p> <ul style="list-style-type: none"> <input type="checkbox"/> 0 No arrester <input type="checkbox"/> 1 With arrester | <p>C SUPPLY CONNECTION</p> <ul style="list-style-type: none"> <input type="checkbox"/> M ½" female sweat <input type="checkbox"/> C ½" male CPVC <input type="checkbox"/> X ½" PEX crimp F1807 <input type="checkbox"/> W ½" PEX cold expansion F1960 <input type="checkbox"/> V ½" Viega PureFlow® PEX <input type="checkbox"/> A ½" PEX cold expansion F2080 | <p>ACCESSORIES</p> <ul style="list-style-type: none"> <input type="checkbox"/> 696-EX frame extension <p>1 Compliant with NSF-61 Annex G and California No Lead Plumbing Law</p> |
|---|---|--|