

Fender Washer Zinc

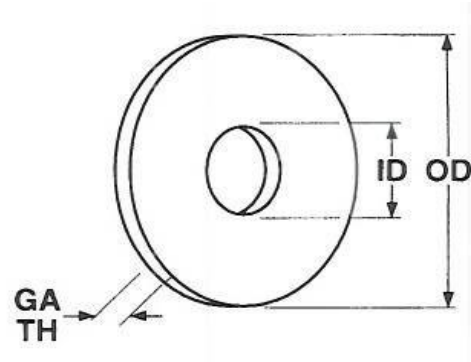
Product Specifications



MAINLINE

PRODUCT FEATURES

- Zinc plated



Bolt Size	Inside Diameter +/- 0.010	F Outside Diameter +/- 0.010	Minimum Thickness	G Maximum Thickness
10	7/32	1	0.0510	0.0800
10	7/32	1-1/4	0.0510	0.0800
1/4	9/32	1	0.0510	0.0800
1/4	9/32	1-1/4	0.0510	0.0800
1/4	9/32	1-1/2	0.0510	0.0800
1/4	9/32	2	0.0510	0.0800
5/16	11/32	1-1/4	0.0510	0.0800
5/16	11/32	1-1/2	0.0510	0.0800
3/8	13/32	1-1/4	0.0510	0.0800
3/8	13/32	1-1/2	0.0510	0.0800
3/8	13/32	2	0.0510	0.0800
1/2	17/32	1-1/2	0.0510	0.0800
1/2	17/32	2	0.0510	0.0800

Warranty: See warranty information for more details.

All dimensions listed are nominal. MAINLINE® reserves the right to make product and material changes at any time without notice.

Contact your sales representative for more information or visit our website at mainlinecollection.com