



MAINLINE®

Shower Arm Test Plug

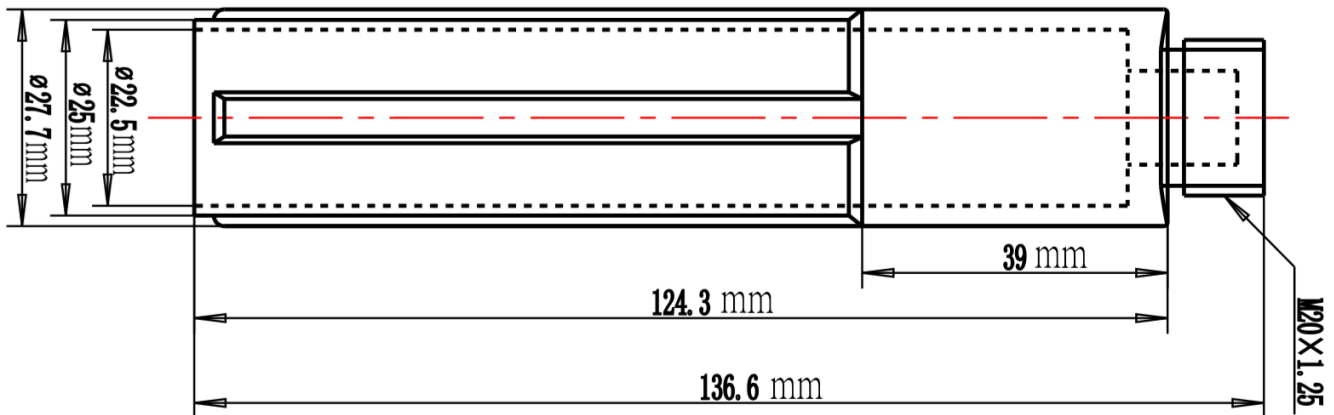
Product Specifications

FEATURES

- 1/2" MIP for Drop-Ear Fitting
- Easily installed and removed by hand
- Gasket Seal—no tape or thread sealant required
- Durable and Reusable
- Material: PA6+6% reinforced glass fiber
- Length: 5.38in



MLTP0012



Warranty

This product carries a 1-year limited warranty.

All dimensions listed are nominal. MAINLINE® reserves the right to make product and material changes at any time without notice.



Contact your sales representative for more information or visit our website at mainlinecollection.com