

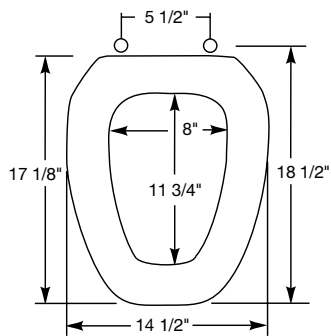


# RESIDENTIAL MOLDED WOOD SEATS



## 124 0215

Seats shall be No. 124 0215 as manufactured by Bemis Manufacturing Co. Seats shall be molded wood, multi-coat enamel finish with closed front and cover to fit elongated Eljer Emblem bowl. Color-matched bumpers and hinges. Top-Tite® hinges with non-corrosive top-tightening bolts and wing nuts. Color to be \_\_\_\_\_. (specify white or fixture manufacturer's color)



Ring thickness is 13/16"  
Ring thickness including the bumper is 1"  
Height of the seat with cover is 2-1/2"



**TOP-TITE® HINGES  
WITH BOLT AND WING NUT**



**LOCKED-IN  
TOP-TITE® HINGE**