

## Features

- Quiet-Close™ elongated seat closes quietly.
- Grip-Tight bumpers hold seat firmly in place.
- Quick-Release™ functionality allows seat to be removed easily from toilet for convenient cleaning.
- Quick-Attach® hardware for fast and secure installation.
- Color-matched plastic hinges.

## Material

- Plastic construction.

## Installation

- For nonresidential applications, K-7671 or K-20110 is recommended.



## Codes/Standards

None Applicable



## KOHLER® One-Year Limited Warranty

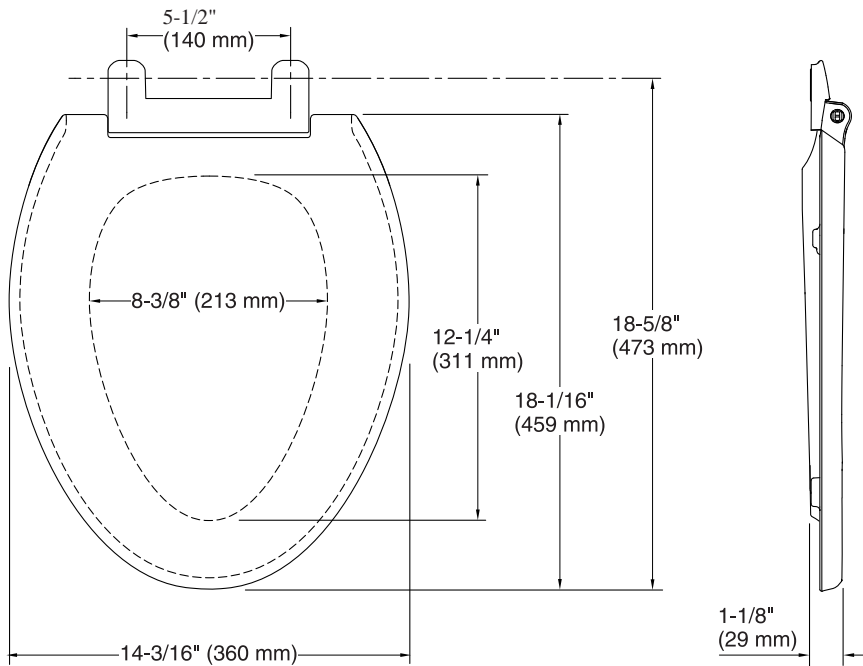
See website for detailed warranty information.

## Available Colors/Finishes

*Color tiles intended for reference only.*

| Color | Code | Description |
|-------|------|-------------|
|-------|------|-------------|

|   |    |         |
|---|----|---------|
|  | 0  | White   |
|  | 96 | Biscuit |



## Technical Information

All product dimensions are nominal.

Seat shape type: Elongated  
Seat front type: Closed-front  
Seat-mounting holes: 5-1/2" (140 mm)

## Notes

Install this product according to the installation guide.