

Rectangle Undermount Lavatory

Product Specifications



Features

- Grade A Vitreous China
- 18" x 12" Rectangle
- Front Overflow
- Mounting Hardware and Clips Supplied
- Curved Bottom Design
- Available in White Only

Certifications

- IAPMO UPC
- ASME A112.19.2

MLS10422



All dimensions listed are nominal. Mainline® reserves the right to make product and material changes at any time without notice.

Contact your sales representative for more information or visit our website at mainlinecollection.com

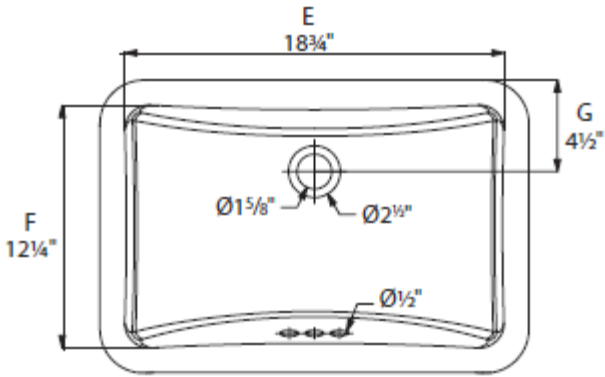
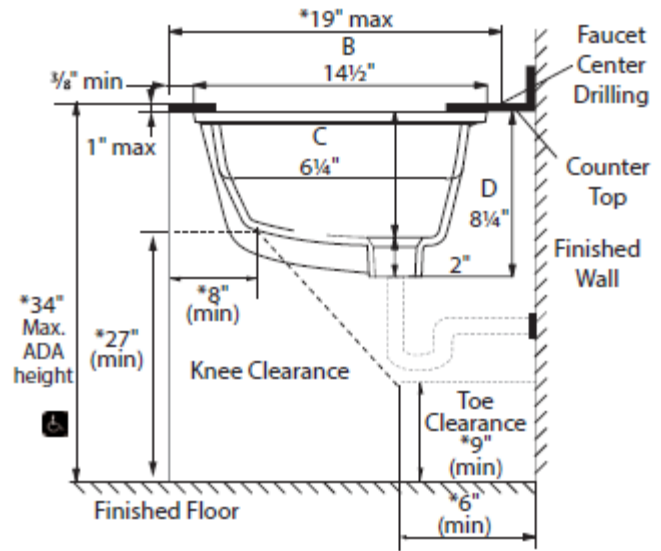
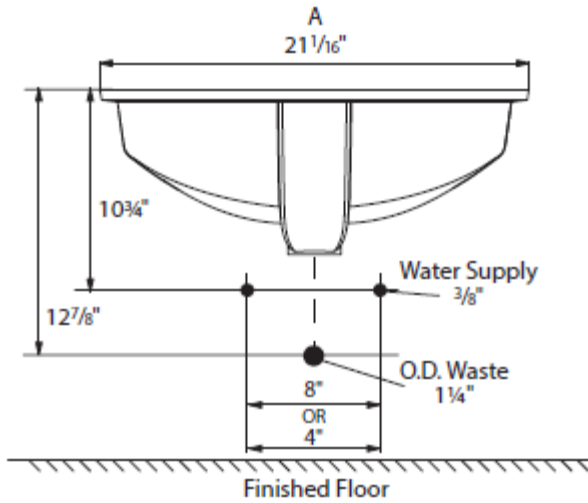
Revised 8/9/2021



MAINLINE®

Rectangle Undermount Lavatory

Product Specifications



| To Submit | Bowl | Color | A | C | D | E | F | G | |
|-----------|----------|-------|----------|---------|--------|--------|---------|---------|--------|
| | MLS10422 | White | 21-1/16" | 14-1/2" | 6-1/4" | 8-1/4" | 18-3/4" | 12-1/4" | 4-1/2" |

Contact your sales representative for more information or visit our website at mainlinecollection.com