



Plastic Deluxe Round Toilet Seat

Product Specifications

Description

Closed front with cover, round, injection molded solid plastic toilet seat. Features four molded-in bumpers, color-matched easy release hinges with non-corrosive, top-tightening bolts and wing nuts. This seat complies with American National Standard Z124.5 Toilet (Water Closet) Seats as a class Residential.

Model: ML800EC

Specifications	
Size:	Round
Weight:	2.7 lbs
Color:	Biscuit (346)
Material:	Plastic
Style:	Closed Front with Cover
Bumpers:	Four
Hinges:	Plastic Easy Release
Fastening System:	Non-Corrosive Top-Tightening Bolts and Wing Nuts



PLASTIC EASY RELEASE HINGES



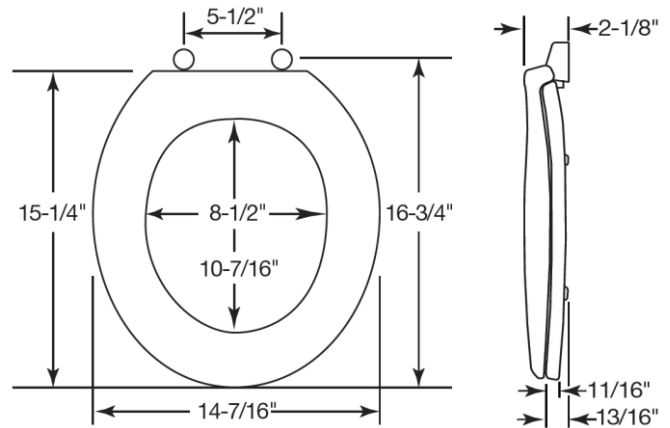
TWIST HINGES TO UNLOCK



EASY REMOVAL OF SEAT FOR THOROUGH CLEANING



NON-CORROSIVE BOLTS AND WING NUTS



Warranty

See warranty information for more details.

All dimensions listed are nominal. MAINLINE® reserves the right to make product and material changes at any time without notice.



Complies with IAPMO/ANSI Z124.5 Performance Standards Residential



Contact your sales representative for more information or visit our website at mainlinecollection.com