

Features

- 18" (457 mm) minimum base cabinet width.
- Single bowl.
- 9" (229 mm) depth provides generous workspace.
- Rear drain increases workspace in the sink and allows for more storage space underneath the sink.
- Includes a bottom sink rack and installation hardware.
- Rounded 10mm corners are easy to clean.

Material

- Handcrafted from 16-gauge stainless steel.
- Premium 16-gauge stainless steel.

Installation

- Undermount.

Required Products/Accessories

K-11352 Disposal Flange with Stopper

or

K-8801 Sink drain and strainer with tailpiece

or

K-8799 Sink drain and strainer basket

Recommended Products/Accessories

K-23726 Drain treatment

K-23729 Stainless steel cleaner

Included Components

Additional Components:

Bottom bowl rack

Cut-out template

Hardware kit(s) (Qty 2)



ADA

Codes/Standards

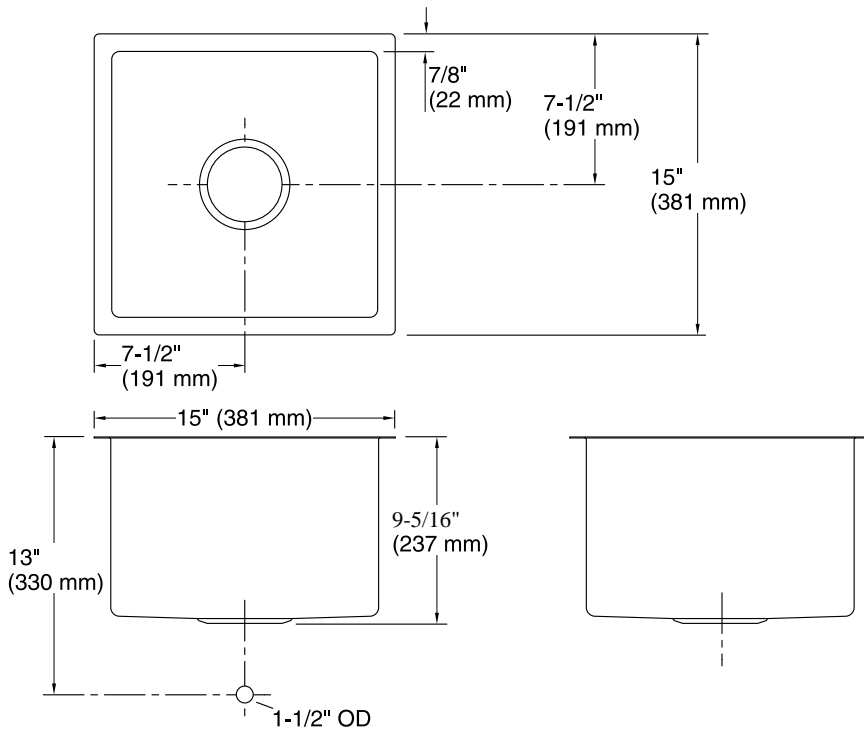
ASME A112.19.3/CSA B45.4

ADA

ICC/ANSI A117.1

KOHLER® Stainless Steel Sinks Lifetime Limited Warranty

See website for detailed warranty information.



Technical Information

All product dimensions are nominal.

Bowl configuration:	Single
Installation:	Undermount
Min. base cabinet width:	18" (457 mm)
Bowl area:	Length: 13-1/4" (337 mm) Width: 13-1/4" (337 mm) Bowl depth: 9-5/16" (237 mm) Water depth: 9" (229 mm)
Drain hole:	3-11/16" (94 mm)
Template:	1207219-7, required, included

Notes

Install this product according to the installation instructions.

ADA compliant when installed to the specific requirements of these regulations.

ADA permits a parallel approach to wet bars.