

Double Bowl Apron Front Kitchen Sink

LUXART®

Product Specifications

Features

- Molded from fireclay and baked at high temperatures for a nonporous material.
- The material naturally minimizes sound and reduces condensation.
- Long-lasting durability that is scratch and stain resistant.
- White finish with a beautiful, porcelain glaze for a smooth, glossy surface that is easy to clean.
- Sink is reversible offering the option of a traditional flat front or a decorative band feature.



Overall Size: 33" x 19-15/16" x 10-1/8"

Left Bowl Dimensions: 15-3/8" x 18-1/8"

Right Bowl Dimensions: 15-3/8" x 18-1/8"

Bowl Depth: 9" (left); 9" (right)

Minimum Cabinet Size: 36"

Drain Opening: 3-1/2"

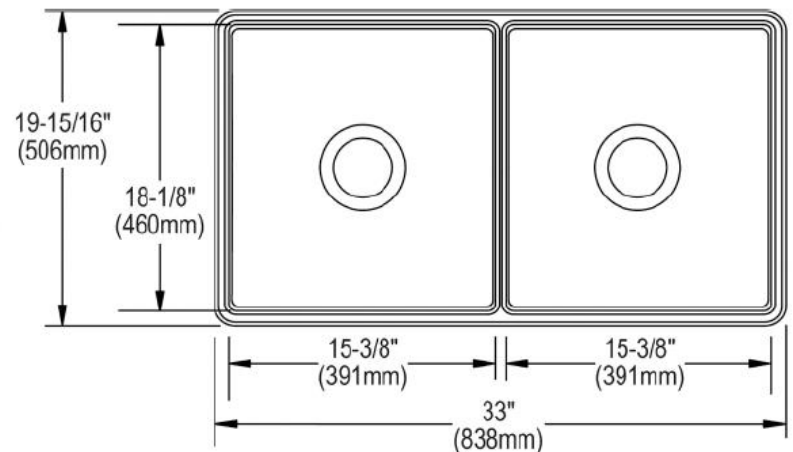
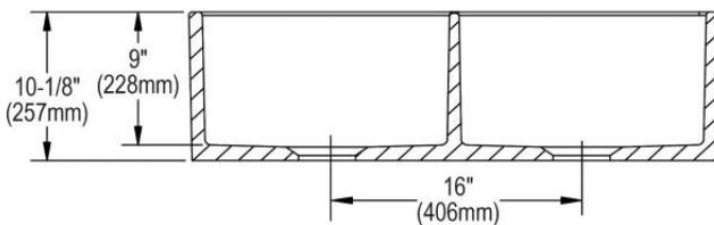
Drain Placement: Center

Installation Type: Apron Front

Material: Fireclay

USE SINK AS CUTOUT TEMPLATE

LXFC32189WH



Optional Accessories

- Bottom Basin Rack: LXBG1417SS
- Basket Strainer: LX105, LX125, LX120, LX100
- Soap Dispenser: CSD, LCSD, LGLSD

For cutout measurement: Use sink in sink box.

All dimensions listed are nominal. Luxart® reserves the right to make product and material changes at any time without notice.



Contact your sales representative for more information or visit our website at luxartcollection.com

Revised 10/22/2020