

Features

- Elongated closed-front seat.
- Grip-Tight bumpers hold seat firmly in place.
- Quick-Release™ functionality allows seat to be removed easily from toilet for convenient cleaning.
- Color-matched plastic hinges.
- Contoured seat for user comfort.
- Quick-Attach® hardware for fast and secure installation.

Material

- Plastic construction.

Installation

- For residential use only.
- For nonresidential application, K-7671, K-20110, or K-20112 is recommended.



Codes/Standards




None Applicable

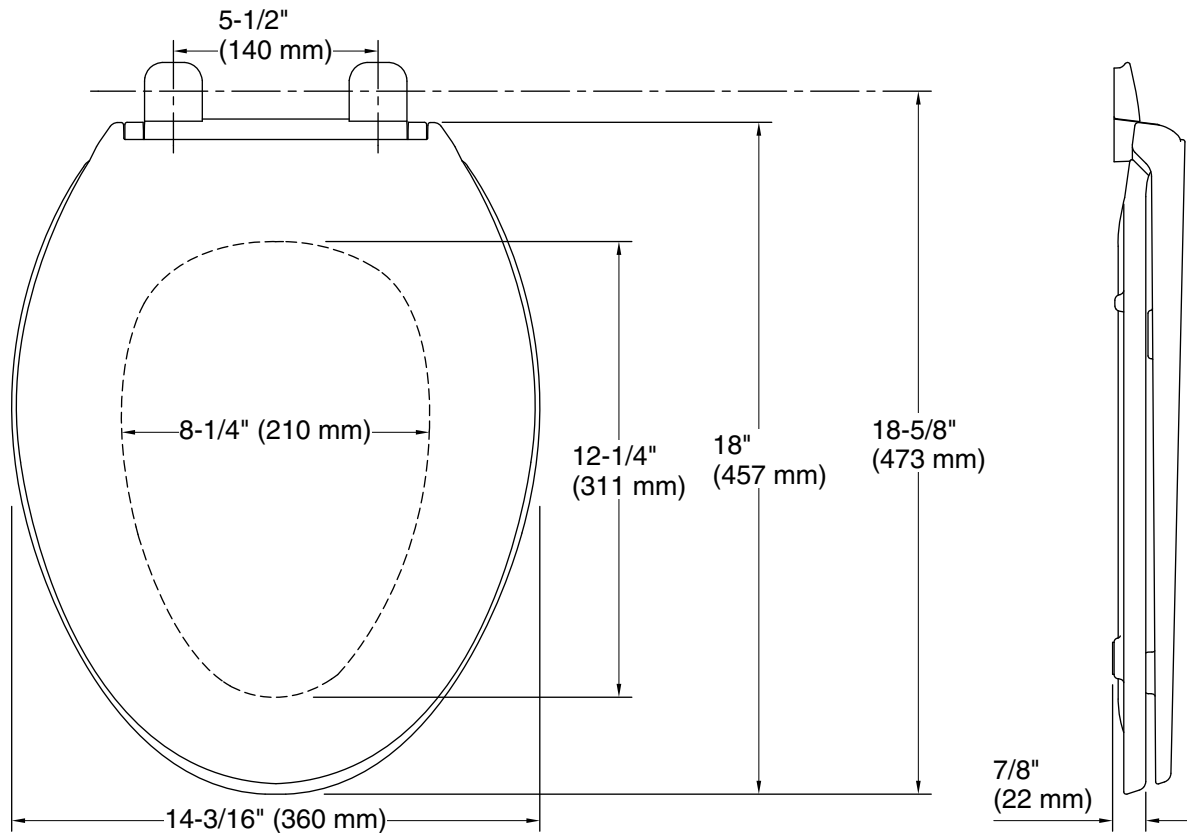
KOHLER® One-Year Limited Warranty

See website for detailed warranty information.

Available Colors/Finishes

Color tiles intended for reference only.

Color	Code	Description
	0	White
	96	Biscuit
	47	Almond



Technical Information

All product dimensions are nominal.

Seat shape type: Elongated
Seat front type: Closed-front
Seat-mounting holes: 5-1/2" (140 mm)

Notes

Install this product according to the installation guide.