

# 60" x 32" Rectangular Shower Base



## Product Specifications

### Features

- High gloss acrylic surface for a bright shine
- Easy to clean, scratch and stain resistant
- Reinforced, easy-to-step over threshold
- Spacious slip resistant area for showering
- Easy to install for both new construction and remodel projects
- Screw flange direct to stud, no T-brace or clips required
- Covered with protective film to maintain finish during installation
- 5-Year Consumer, 2-Year Commercial Limited Warranty
- Meets ANSI and CSA Standards
- Suggested drain – Mainline ML42150

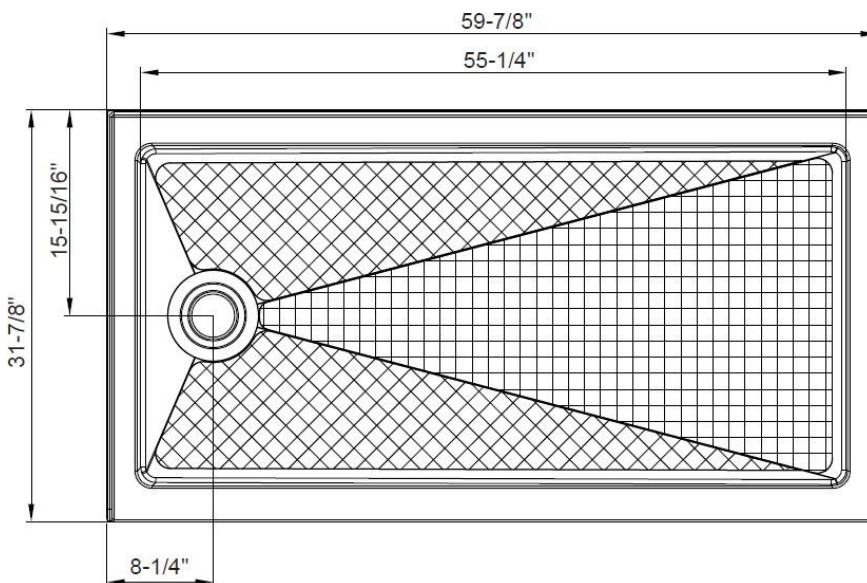
**Overall Size:** 59-7/8" x 31-7/8" x 2-5/8"

**Drain Placement:** Left

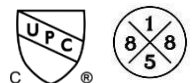
**Material:** High Gloss Acrylic



## LXSB6032L-W



All dimensions listed are nominal. Luxart® reserves the right to make product and material changes at any time without notice.



Contact your sales representative for more information or visit our website at [luxartcollection.com](http://luxartcollection.com)