

Installation / Installation / Instalación

EXTREME CAUTION: Silgranit® sinks are very heavy. For personal safety, always use extra personnel for moving or installation.

INSPECTION: The manufacturer requires that the sink be thoroughly inspected for any damage prior to installation.

PRE-INSTALLATION PLANNING

This installation assumes the use of a custom cabinet and countertop design. The manufacturer recommends that a professional installer be used.

To achieve the desired finished fit and form, it is critical that the cabinet maker, cabinet installer, and countertop fabricator fully understand the consumer's requirements regarding the final installed look. A custom sink base and support system is required for installation of Luxart Silgranit® apron sinks.

Whether the sink is used for replacement or new installation, the cabinet area beneath the sink **MUST** be reinforced to provide sufficient support. A wood or metal support frame for the sink must support 400 pounds (approximate weight of sink when full and a garbage disposal installed).

Ensure you provide proper clearance for faucet, water supply lines, drain assembly, garbage disposal mounting system and the structural parts of the cabinet.

COUNTERTOP TEMPLATES ARE NOT INCLUDED and due to the unique installation requirements, we recommend that your countertop fabricator and cabinet maker reference the actual sink to be installed prior to cabinet countertop fabrication.

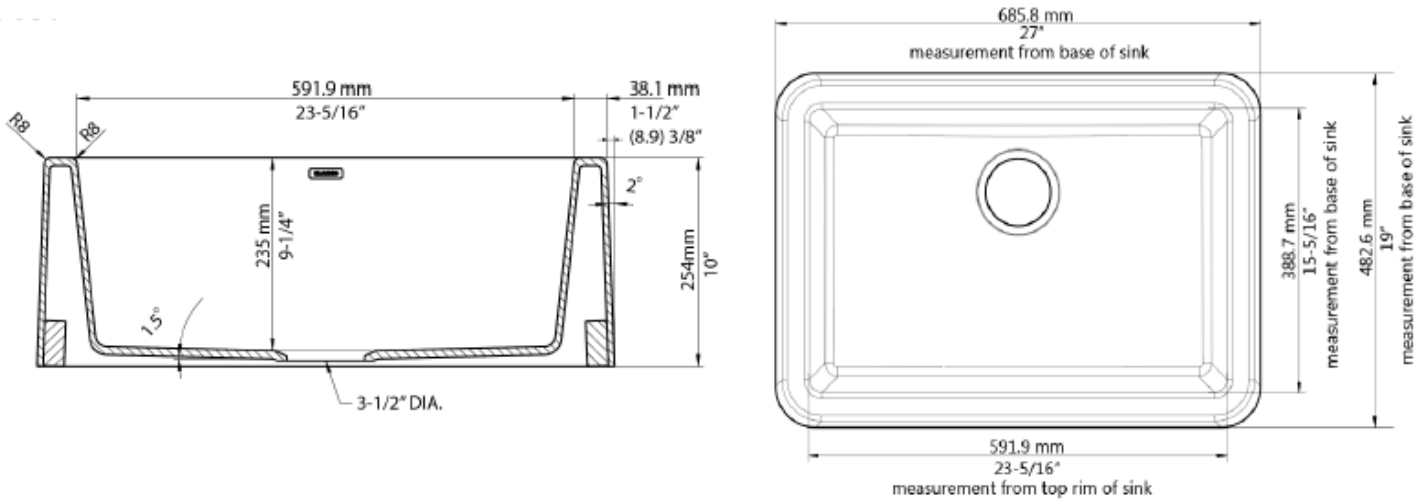
CABINET FRONT TEMPLATES ARE INCLUDED. Your cabinet maker can use these templates to create a custom cabinet cut that follows the draft of the sink.

All installation procedures must comply in strict accordance with applicable local plumbing and building codes.

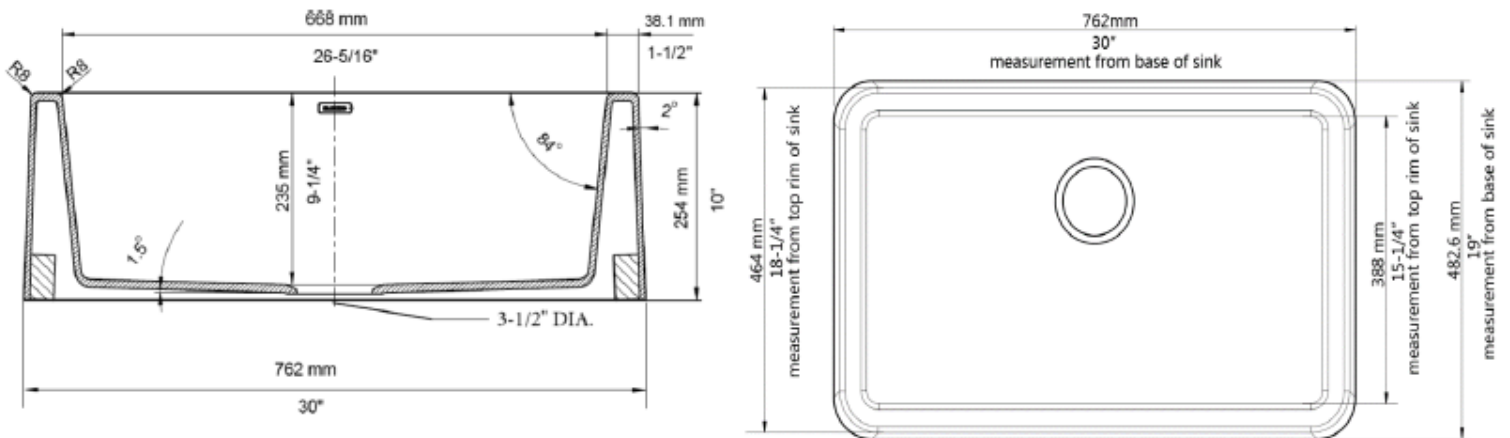


Installation / Installation / Instalación

27" Silgranit® Single Bowl Apron Front Kitchen Sink

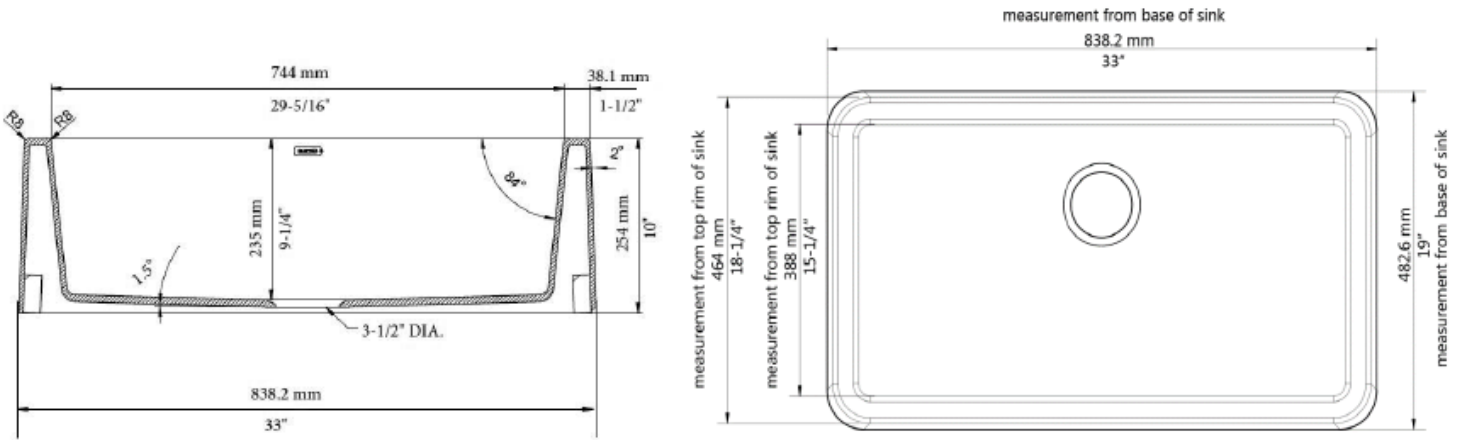


30" Silgranit® Single Bowl Apron Front Kitchen Sink

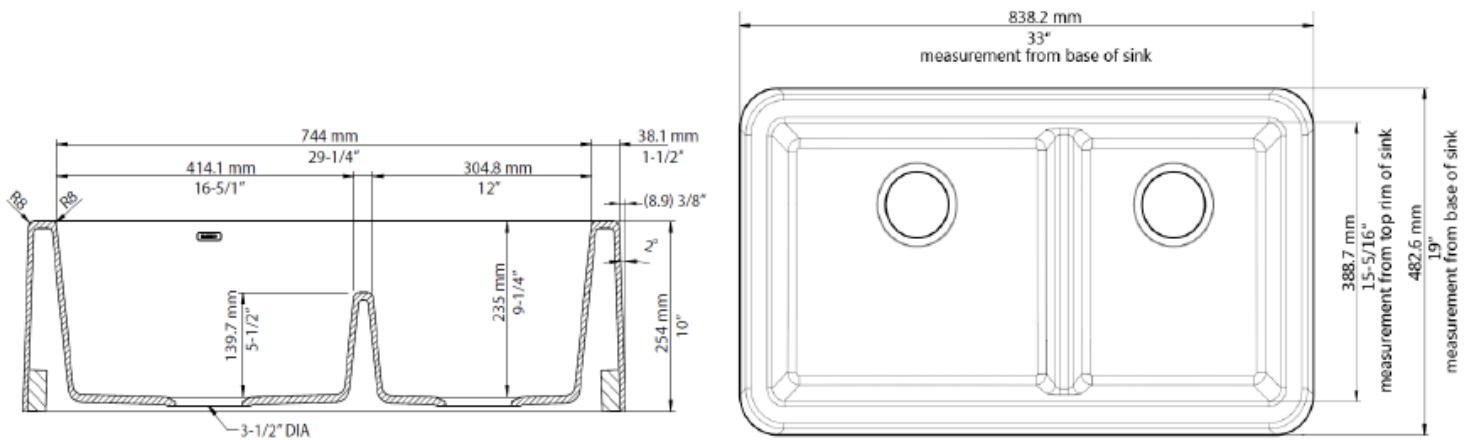


Installation / Installation / Instalación

33" Silgranit® Single Bowl Apron Front Kitchen Sink



33" Silgranit® Double Bowl 60/40 Low Divide Apron Front Kitchen Sink



Installation / Installation / Instalación

Care & Cleaning Guidelines

Cleaning

- Daily cleaning may be done with any non-abrasive cleaner (i.e. Bar Keeper's Friend, Soft Scrub, Soft Scrub with Bleach, or dishwasher soap). After every use, rinse and wipe the sink dry with a clean, soft cloth to eliminate any water spots or soap film build-ups.
- Please go to www.blancoamerica.com or www.blancocanada.com or Blanco's YouTube channel for further care and cleaning instructions.

Removing Stains and Minor Scuff Marks

Please use a mild abrasive cleanser, along with a soft scouring pad. For stubborn stains - a solution of 50% bleach, 50% water should only be used for tough, stubborn stains. Let the solution sit in the bottom of the sink for one hour then scrub and rinse well. Also, the use of Bar Keeper's Friend (directions included on bottle or can) will help remove stubborn stains. (Note: Dark colored sinks must be rinsed thoroughly with hot water).

Luster

Mineral oil applied with a damp cloth can be used to restore the luster but is typically not necessary.

Miscellaneous

To remove calcium deposits (a white ring around the bottom of your sink): use LIME AWAY or CLR cleaner. To remove adhesive labels: use rubbing alcohol. Note: Always test any stain removers in a small, non-visible location.

Some Don'ts

- DO NOT use any abrasive cleaning agents or scrub pads, such as steel wool.
- DO NOT use straight bleach.
- DO NOT use commercial alkalis, such as ammonia and/or caustic solutions.
- DO NOT use drain blocking chemicals that involve filing the sink with water.
- DO NOT use the sink for cleaning paint or grout materials.

Note: Always test any stain removers in a small, non-visible location