



Submittal Data

PROJECT: _____	UNIT TAG: _____	QUANTITY: _____
REPRESENTATIVE: _____	TYPE OF SERVICE: _____	DATE: _____
ENGINEER: _____	SUBMITTED BY: _____	DATE: _____
CONTRACTOR: _____	APPROVED BY: _____	DATE: _____
	ORDER NO.: _____	DATE: _____

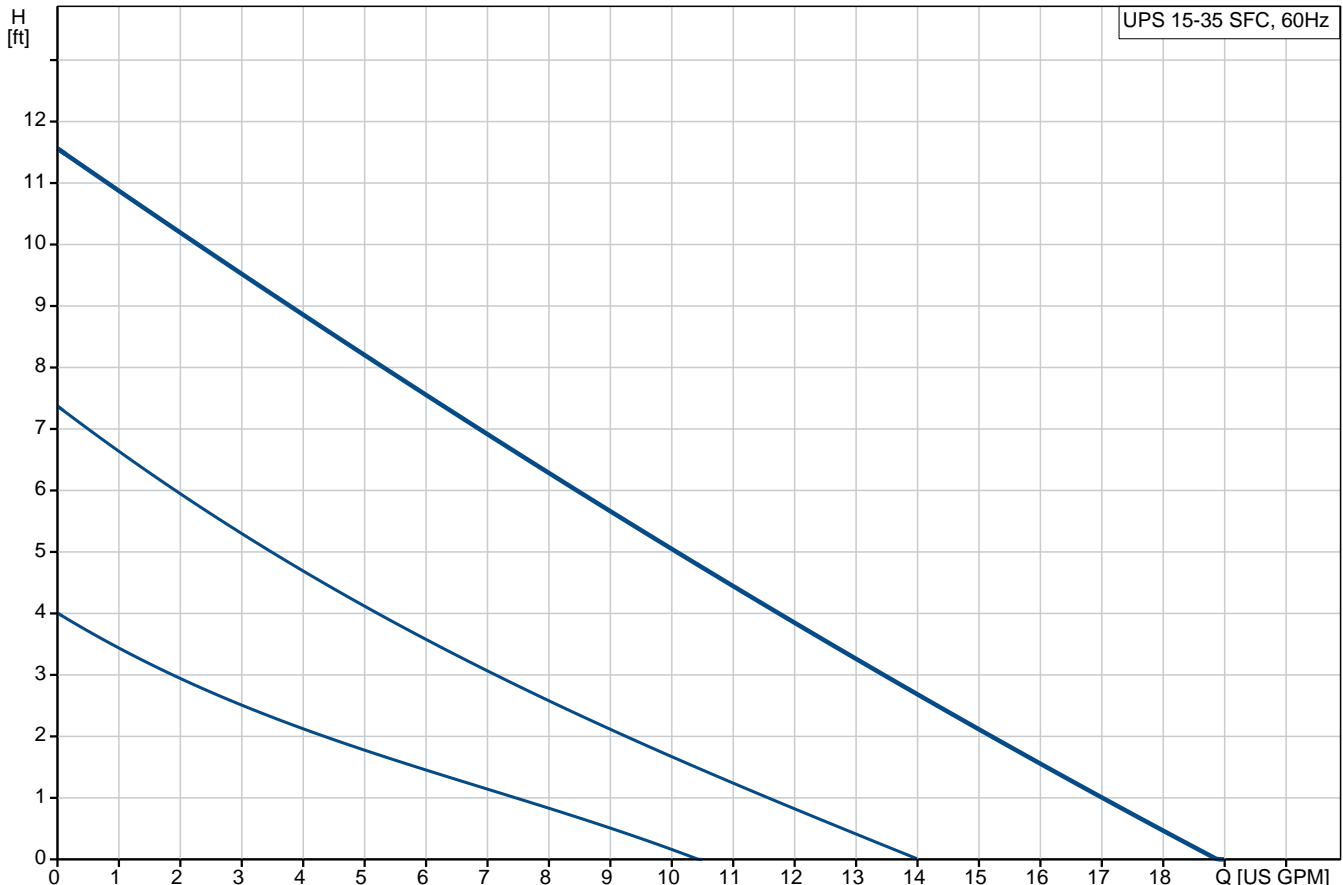
UPS 15-35 SFC

Circulator pumps



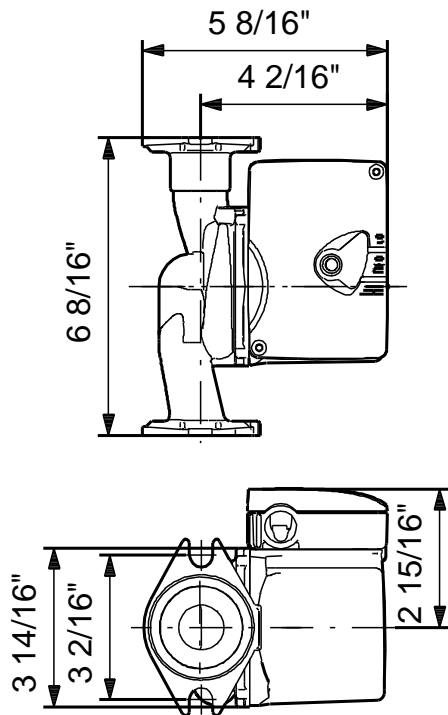
Note! Product picture may differ from actual product

Conditions of Service	Pump Data	Motor Data
Flow: _____	Maximum operating pressure: 145 psi	Max. power input: 110 W
Head: _____	Liquid temperature range: 35.6 .. 165.2 °F	Rated power - P2: 0.6/0.08/0.11 kW
Efficiency: _____	Maximum ambient temperature: 104 °F	Rated voltage: 115 V
Liquid: Water	Approvals: UL, CSA	Mains frequency: 60 Hz
Temperature: 140 °F	Type of connection: S.S. Flange	Insulation class: F
NPSH required: ft	Flange standard: USA Oval	Motor protection: CONTACT
Viscosity: _____	Pipe connection: 2 - Bolt Flange	Thermal protection: internal
Specific Gravity: 0.985	Product number: 59896772	





## Submittal Data

**Materials:**

Pump housing: Stainless steel  
DIN W.-Nr. 1.4301  
AISI 304  
Impeller: Composite, PES



Company name:

Created by:

Phone:

Date:

16/06/2017

Position	Qty.	Description
	1	<p data-bbox="304 338 501 367"><b>UPS 15-35 SFC</b></p> <div data-bbox="341 412 671 667" style="text-align: center;"> </div> <p data-bbox="708 680 1193 705" style="text-align: center;"><b>Note! Product picture may differ from actual product</b></p> <p data-bbox="304 712 587 741">Product No.: <a href="#">59896772</a></p> <p data-bbox="304 743 847 831">The pump is of the canned rotor type, i.e. pump and motor form an integral unit without shaft seal and with only two gaskets for sealing.</p> <p data-bbox="304 833 852 862">The bearings are lubricated by the pumped liquid.</p> <p data-bbox="304 864 730 893">The pump has 3-step speed selector.</p> <p data-bbox="304 896 655 925">The pump is characterized by:</p> <ul data-bbox="357 927 903 1070" style="list-style-type: none"> <li>* Ceramic shaft and radial bearings.</li> <li>* Carbon axial bearing.</li> <li>* Stainless steel rotor can and bearing plate.</li> <li>* Corrosion-resistant impeller, Composite, PES.</li> <li>* Stainless steel pump housing.</li> </ul> <p data-bbox="304 1099 655 1128">The motor is a 1-phase motor.</p> <p data-bbox="304 1131 780 1160">No additional motor protection is required.</p> <p data-bbox="304 1189 405 1218"><b>Liquid:</b></p> <p data-bbox="304 1220 852 1339">Pumped liquid: Water                      Liquid temperature range: 35.6 .. 165.2 °F                      Liquid temperature during operation: 140 °F                      Density: 61.35 lb/ft<sup>3</sup></p> <p data-bbox="304 1368 443 1397"><b>Technical:</b></p> <p data-bbox="304 1400 783 1429">Approvals on nameplate: UL, CSA</p> <p data-bbox="304 1458 437 1487"><b>Materials:</b></p> <p data-bbox="304 1489 887 1576">Pump housing: Stainless steel                      DIN W.-Nr. 1.4301                      AISI 304</p> <p data-bbox="304 1579 868 1608">Impeller: Composite, PES</p> <p data-bbox="304 1637 459 1666"><b>Installation:</b></p> <p data-bbox="304 1668 847 1906">Maximum ambient temperature: 104 °F                      Amb. max at 80 dgr C liquid: 176 °F                      Maximum operating pressure: 145 psi                      Flange standard: USA Oval                      Type of connection: S.S. Flange                      Pipe connection: 2 - Bolt Flange                      Pressure stage: 10                      Port-to-port length: 6 1/2 in</p> <p data-bbox="304 1935 501 1964"><b>Electrical data:</b></p> <p data-bbox="304 1966 874 2107">C run: 10 µF                      Power input in speed 1: 61 W                      Power input in speed 2: 85 W                      Max. power input: 110 W                      Rated power - P2: 0.6/0.08/0.11 kW</p>



Company name:

Created by:

Phone:

Date:

16/06/2017

Position	Qty.	Description
		Mains frequency: 60 Hz Rated voltage: 1 x 115 V Current in speed 1: 0.6 A Current in speed 2: 0.75 A Current in speed 3: 0.95 A Capacitor size - run: 10 µF/180 V Number of poles: 2 Insulation class (IEC 85): F  <b>Others:</b> Gross weight: 6 lb