



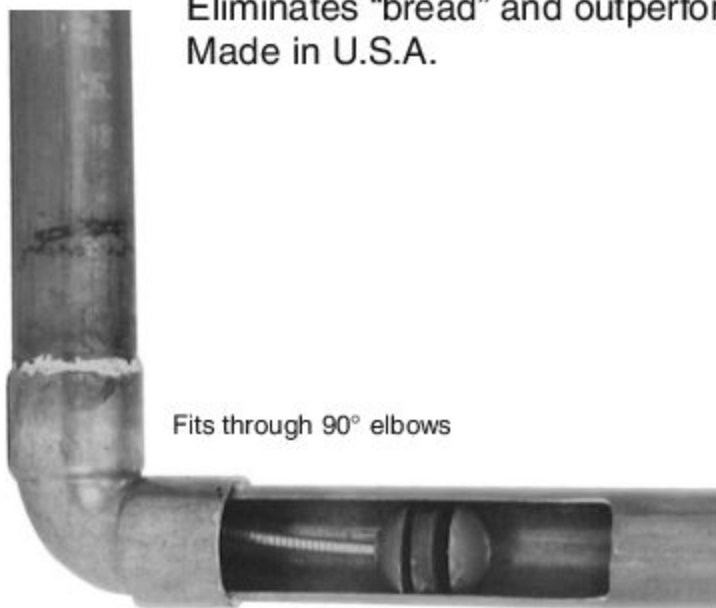
# QUICK SWEAT

PATENT NUMBER 5,819,804



**PLUMBER  
DESIGNED**

Flexible 24" steel cables will slide through elbows and are interchangeable with the handle to fit different size copper. Durable polypropylene handle will fit 1/2" thru 2" cables. Long lasting elastomeric plug eliminates "bread" and outperforms all the rest. Made in U.S.A.



Fits through 90° elbows

PART NUMBER	SIZE
51500	Kit including: Handle & 1- each 1/2", 3/4", 1" cables
51050	1/2" Complete tool
51075	3/4" Complete tool
51100	1" Complete tool
51125	1-1/4" Complete tool
51150	1-1/2" Complete tool
51200	2" Complete tool
51040	Handle ONLY
51012	1/2" Cable ONLY
51034	3/4" Cable ONLY
51010	1" Cable ONLY
51114	1-1/4" Cable ONLY
51115	1-1/2" Cable ONLY
51120	2" Cable ONLY