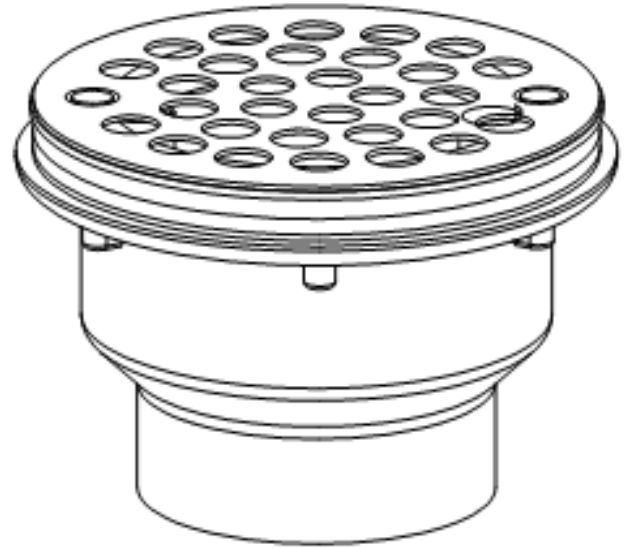
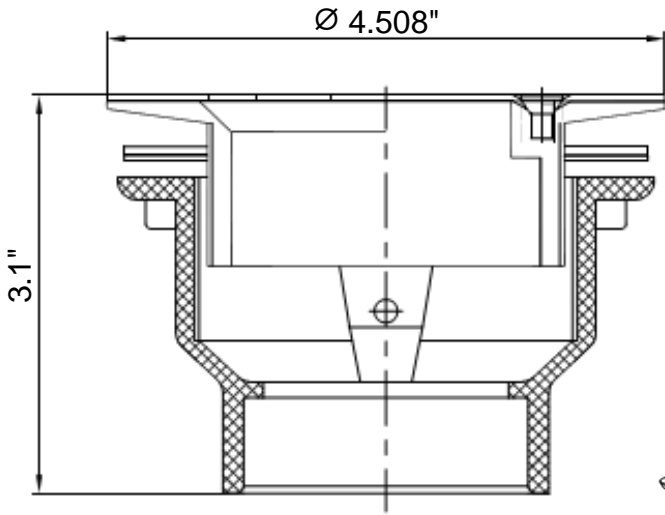


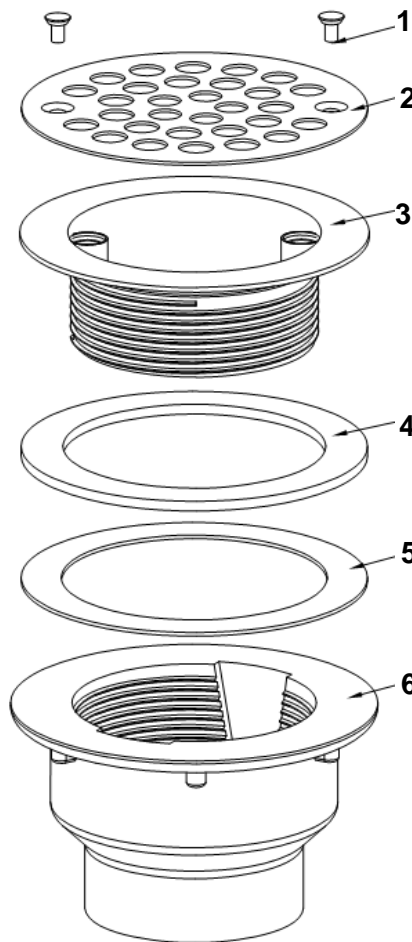
SPECIFICATIONS

- 2" PVC Solvent Weld Shower Drain
- Solvent Weld to 2" DWV or Schedule 40 PVC Pipe
- Includes Receptor Base
- Screw Type Stainless Steel Strainer



ML42045

CROSS REFERENCE	
42045	67031 or ABA3456
D41-001	86075 or 4821
63 PVC	



No.	Part Name	Material
1	Screws	Stainless Steel
2	Strainer	Stainless Steel
3	Body	PVC/White
4	Rubber Washer	NBR
5	Paper Washer	Duplex Paper
6	Base	PVC/White

CERTIFICATIONS

- cUPC

