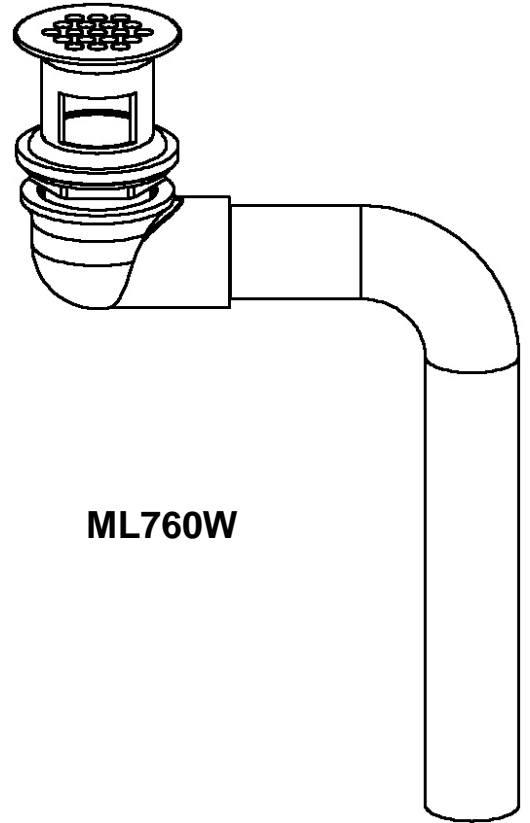
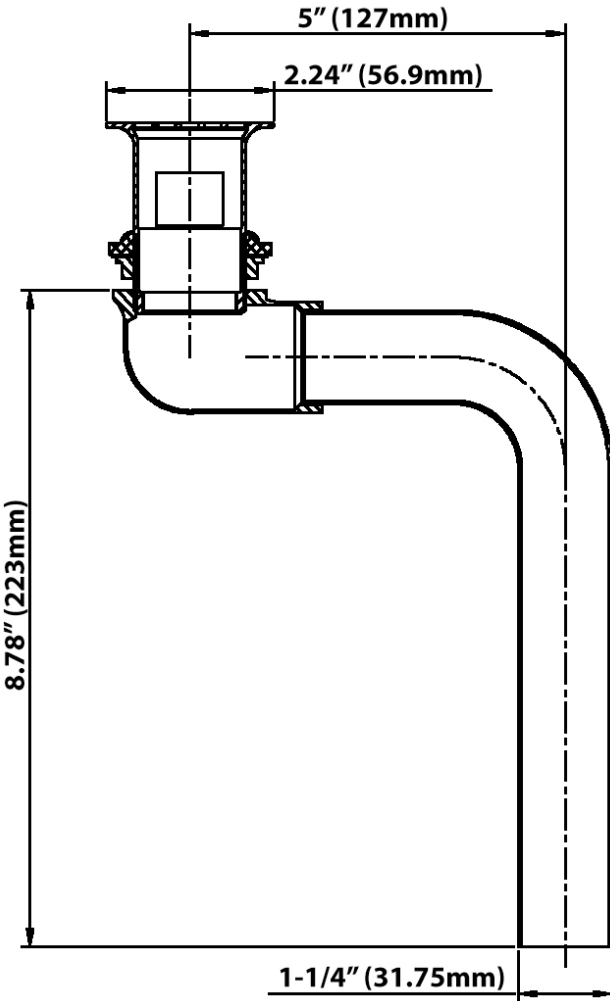


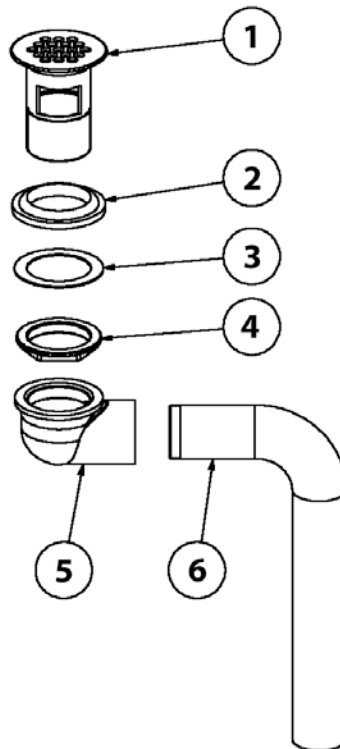
SPECIFICATIONS

19-HOLE OFFSET COMMERCIAL GRID DRAIN

- 1-1/4" Forged Brass Construction
- 17 GA Tailpiece
- Chrome Plated



ML760W



No.	Part Name	Material
1	Grid Body	Brass
2	Washer	Brass
3	Friction Washer	Duplex Paper
4	Locknut	Zinc
5	Elbow	Cast Brass
5	Offset Tailpiece	Brass

Cross Reference	
760W-1	D70-101
5700PC	FY-159WC
155WC	Z8746-PC

CERTIFICATIONS

- cUPC

