



**MAINLINE®**

# Push Connect® Brass MIP Reducing Adapters

## Product Specifications

### PRODUCT FEATURES

- Forged Lead Free\* Brass
- Maximum Working Pressure: 200 PSI
- Maximum Temperature Rating: 200° F
- Compatible with Copper, CPVC, PEX & PE-RT
- Replaceable O-Ring Seal Design
- Removable and Reusable
- Push to Connect
- Full Flow
- Available with Pre-Inserted Stiffener



### APPROVED APPLICATIONS

- Plumbing
- Heating
- Irrigation
- Underground
- Hydronic Heating
- Behind Walls without Access Panel

*NOTE: When using PEX, a tube stiffener should be inserted into the PEX tubing end prior to insertion into the fitting.*

✓To Submit	Part #	Size
	MLU118LF	3/8" x 1/2"
	MLU116LF	3/4" x 1/2"
	MLU139LF	3/4" x 1"
	MLU142LF	1" x 3/4"
	MLU118LF-S	3/8" x 1/2" w/ Stiffener
	MLU116LF-S	3/4" x 1/2" w/ Stiffener
	MLU139LF-S	3/4" x 1" w/ Stiffener
	MLU142LF-S	1" x 3/4" w/ Stiffener

### FORCES FOR MECHANICAL SEPARATION TEST

Nominal Size		Longitudinal (Pull) Test	
Inches	mm	Lbf	N
1/2	13	150	667
3/4	19	275	1223.2

### Warranty

See warranty information for more details.

All dimensions listed are nominal. MAINLINE® reserves the right to make product and material changes at any time without notice.



\*≤ .25% Pb

**Contact your sales representative for more information or visit our website at [mainlinecollection.com](http://mainlinecollection.com)**



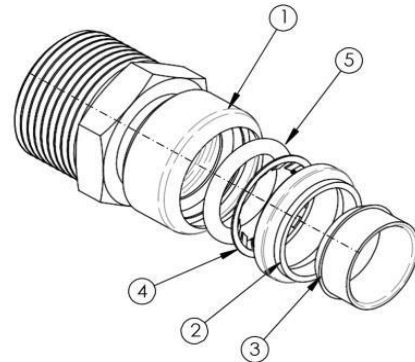
# Push Connect<sup>®</sup> Brass MIP Reducing Adapters

Product Specifications

MAINLINE<sup>®</sup>

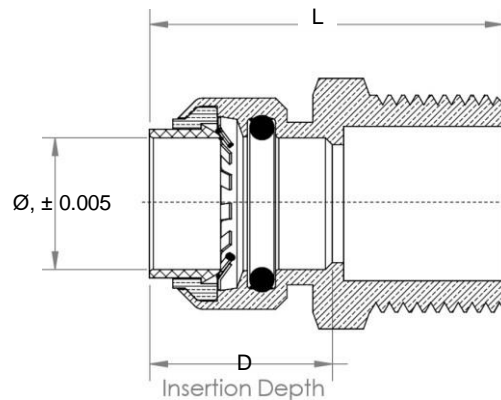
## MATERIALS & SPECIFICATIONS

#	Component	Material
1	Body	Lead Free Brass
2	Seat Ring	POM
3	Push Ring	POM
4	Grip ring	Stainless Steel
5	O-Ring Seal	EPDM70



## DIMENSIONS

#	Ø	D	L
MLU118LF	TBD	TBD	TBD
MLU116LF	0.64	1	1.8
MLU139LF	TBD	TBD	TBD
MLU142LF	TBD	TBD	TBD
MLU118LF-S	TBD	TBD	TBD
MLU116LF-S	0.64	1	1.8
MLU139LF-S	TBD	TBD	TBD
MLU142LF-S	TBD	TBD	TBD



Contact your sales representative for more information or visit our website at [mainlinecollection.com](http://mainlinecollection.com)