



MAINLINE®

Push Connect® Brass Reducing Coupling

Product Specifications

PRODUCT FEATURES

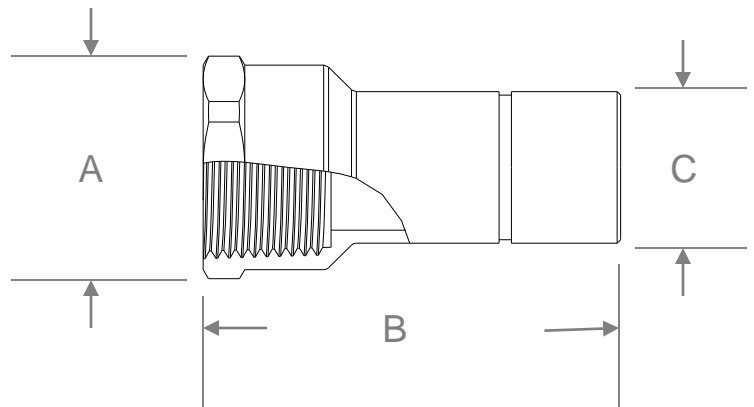
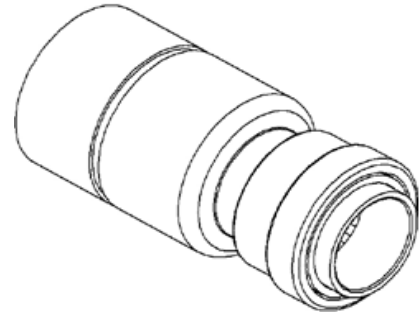
- Forged Lead Free Brass
- Maximum Working Pressure: 200 PSI
- Maximum Temperature Rating: 200° F
- Compatible with Copper, CPVC, PEX & PE-RT
- Removable and Reusable
- Push to Connect
- Full Flow

NOTE: When using PEX, a tube stiffener should be inserted into the PEX tubing end prior to insertion into the fitting.

MATERIALS & SPECIFICATIONS

Component	Material
Body	Forged Lead Free Brass
O-Ring	EPDM
Grip Ring	Stainless Steel
Tube Stiffener	Delrin

✓ To Submit	Part #	Size
	MLU719LF	1/2" x 3/8"
	MLU719LF-S	1/2" x 3/8" w/ Stiffener
	MLU721LF	3/4" x 3/8"
	MLU721LF-S	3/4" x 3/8" w/ Stiffener
	MLU722LF	1" x 1/2"
	MLU722LF-S	1" x 1/2" w/ Stiffener
	MLU724LF	1" x 3/4"
	MLU724LF-S	1" x 3/4" w/ Stiffener



DIMENSIONS

#	WT (oz)	A	B	C
MLU719LF	1.67	0.87	2.40	0.625
MLU721LF	2.82	0.87	2.90	0.875
MLU722LF	2.96	1.05	2.46	1.125
MLU724LF	3.45	1.35	1.25	1.125

Warranty

See warranty information for more details.

All dimensions listed are nominal. MAINLINE® reserves the right to make product and material changes at any time without notice.



*≤ .25% Pb

Contact your sales representative for more information or visit our website at mainlinecollection.com