

Push Connect[®] Lavatory Flex Connectors with Angle Stop

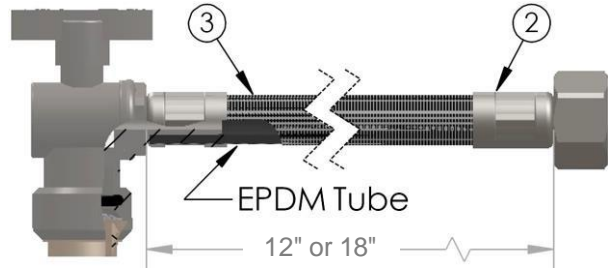
Product Specifications



FEATURES & PERFORMANCE

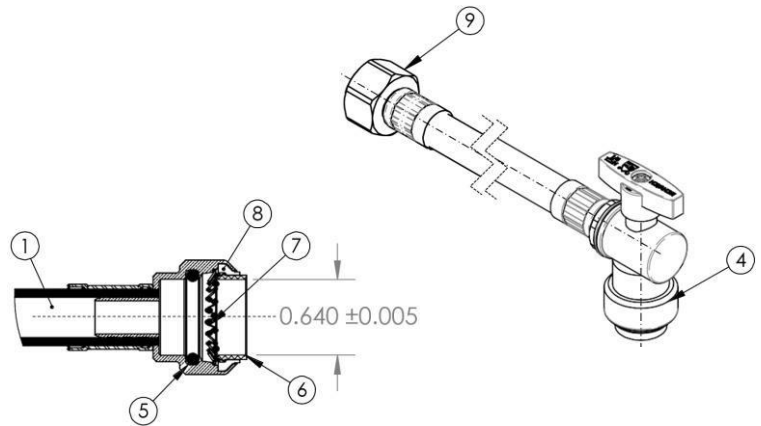
- Compatible with Copper, CPVC & PEX
- Removable and Reusable
- Push to Connect
- Full Flow
- Maximum Working Pressure: 200 PSI
- Decomposition Temperature: 482° F
- Service Temperature: 248° F
- Flash Point: 572° F
- Burst Pressure: 800 PSI
- Approved for Plumbing and Heating Applications

NOTE: When using PEX, a tube stiffener should be inserted into the PEX tubing end prior to insertion into the fitting.



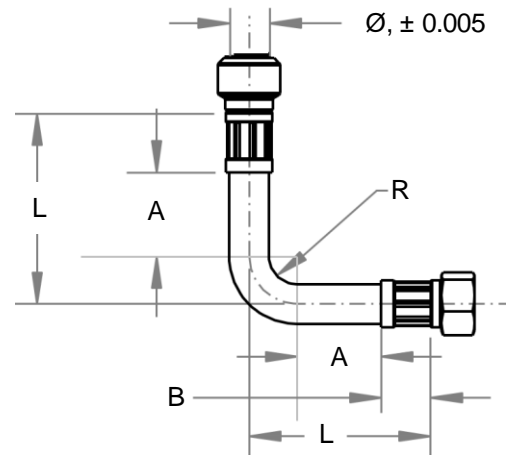
MATERIALS & SPECIFICATIONS

#	Component	Material
1	Rubber Hose	EPDM 70 Perox
2	Ferrule	Stainless Steel 304
3	Hose Braiding	Stainless Steel 304
4	Fitting Head	Lead Free Brass
5	O-Ring	EPDM 70 Perox
6	Push Release	POM
7	Grip Ring	Stainless Steel
8	Seat Ring	POM
9	Nut	Stainless Steel



FORCES FOR MECHANICAL SEPARATION TEST

Nominal Size		Longitudinal (Pull) Test	
Inches	mm	Lbf	N
3/8 or <	10 or <	100	444.8
1/2	13	150	667
3/4	19	275	1223.2



BENDING RADIUS (in)

Ø	R	A	B	L (@ 90°)
1/2"	1.38	1.38	1.06	1.06

✓To Submit	Part #	Size
	ML23385LF	12" Hose, 1/2" Valve x 1/2" FIP
	ML23387LF	18" Hose, 1/2" Valve x 1/2" FIP
	ML747ALF	24" Hose, 1/2" Valve x 1/2" FIP
	ML23385LF-S	12" Hose, 1/2" Valve w/ Stiffener x 1/2" FIP
	ML23387LF-S	18" Hose, 1/2" Valve w/ Stiffener x 1/2" FIP
	ML747ALF-S	24" Hose, 1/2" Valve w/ Stiffener x 1/2" FIP

Warranty

See warranty information for more details.

All dimensions listed are nominal. MAINLINE[®] reserves the right to make product and material changes at any time without notice.



Contact your sales representative for more information or visit our website at mainlinecollection.com