



MAINLINE®

Stainless Steel 90 Degree Elbows

Product Specifications

PRODUCT FEATURES

- Stainless Steel
- Push Connect Installation
- Safe for potable water
- Maximum Working Pressure: 200 PSI
- Maximum Temperature Rating: 200°F
- Compatible with Copper, CPVC, & PEX
- Behind the wall or direct burial

MATERIALS

- Body Construction: AISI 304 Stainless Steel
- O-Ring: EPDM
- Grip Ring: AISI 301 Stainless Steel
- Tube Stiffener: Glass-filled Nylon (1/2"-1") or Copper (1-1/4"-2")

PERFORMANCE

- Max Pressure: 200 PSI
- Max Temp: 200° F

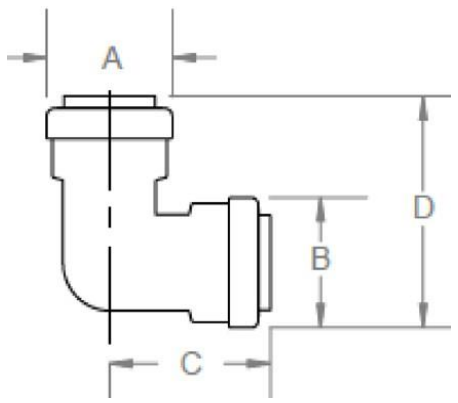
APPLICABLE STANDARDS/CODES

- IAPMO
- ASSE 1061 (Push Fit Fittings – UPC, IPC, cUPC)
- NSF/ANSI 372
- NSF/ANSI/CAN 61 – Sec. 9: Q≤1



Fitting Size	Insertion Depth
1/2"	1"
3/4"	1-3/16"
1"	1-3/16"
1-1/4"	1-7/8"
1-1/2"	2-1/8"
2"	2-3/16"

✓ To Submit	Part #	Size	A	B	C	D
	MLSS813R	1/2"	1.06"	1.06"	1.32"	1.85"
	MLSS823R	3/4"	1.35"	1.35"	1.73"	2.41"
	MLSS833R	1"	1.75"	1.75"	1.88"	2.75"
	MLSS853R	1-1/4"	2.12"	2.12"	2.7"	3.76"
	MLSS863R	1-1/2"	2.57"	2.57"	3.05"	4.34"
	MLSS873R	2"	2.95"	2.95"	3.42"	4.9"
	MLSS813FR	1/2" x 1/2" FNPT	1.06"	1/2" FNPT	1.33"	1.76"
	MLSS823FR	3/4" x 3/4" FNPT	1.35"	3/4" FNPT	1.43"	2.4"
	MLSS813MR	1/2" x 1/2" MNPT	1.06"	1/2" MNPT	1.33"	1.81"
	MLSS823MR	3/4" x 3/4" MNPT	1.35"	3/4" MNPT	1.43"	2.39"
	MLSS843R	3/4" x 1/2"	1.35"	1.06"	1.49"	2.11"



Warranty

See warranty information for more details.

All dimensions listed are nominal. MAINLINE® reserves the right to make product and material changes at any time without notice.



Contact your sales representative for more information or visit our website at mainlinecollection.com