

SILGRANIT®

Double Bowl 50/50 Dual Mount

Product Specifications

MODELS

- LX443203 Double Bowl, 9" bowl depth, ANTHRACITE
- LX443207 Double Bowl, 9" bowl depth, CAFÉ
- LX443204 Double Bowl, 9" bowl depth, CINDER
- LX443202 Double Bowl, 9" bowl depth, COAL BLACK
- LX443209 Double Bowl, 9" bowl depth, SOFT WHITE
- LX443206 Double Bowl, 9" bowl depth, TRUFFLE
- LX443208 Double Bowl, 9" bowl depth, VOLCANO GRAY
- LX443205 Double Bowl, 9" bowl depth, WHITE



Model LX443203 shown in ANTHRACITE
* basket strainer not included

FEATURES

- Minimum cabinet size: 36"
- Rim Height: 1/4"
- 80% solid granite
- Heat resistant up to 536°F
- Unsurpassed cleanability backed by industry leading 7 patents!
- Resistant to scratches, stains and all household acids and alkali solutions
- Top Mount Clips Included
- Template provided
- Limited lifetime warranty

OPTIONAL ACCESORIES

- Decorative Disposal Flange
- Decorative Basket Strainer Drain Assembly

CODE/STANDARDS COMPLIANCE

CSA B45.8-18
IAPMO/UPC listed

NOMINAL DIMENSIONS

OVERALL	CUTOUT SIZE	BOWL DEPTH		DRAIN DIAMETER
		LEFT	RIGHT	
33" X 22"	Template provided with approximate 1/8" reveal	9"	9"	3-1/2"

DFX cutout templates available on our website

All dimensions listed are nominal. Luxart® reserves the right to make product and material changes at any time without notice.



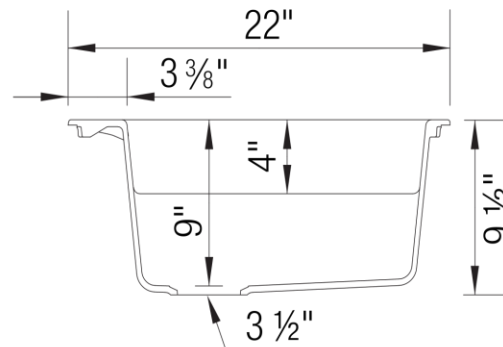
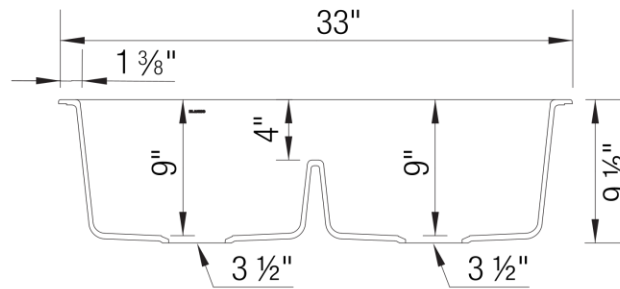
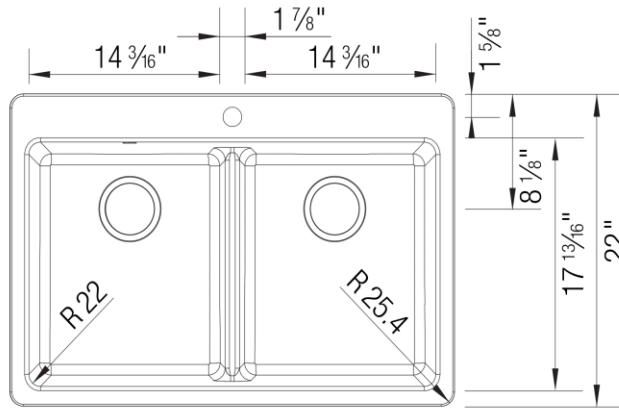
Contact your sales representative for more information or visit our website at luxartcollection.com

SILGRANIT®

Double Bowl 50/50 Dual Mount

Product Specifications

LUXART®



Contact your sales representative for more information or visit our website at luxartcollection.com

Revised 3/8/2024