



Economy Full Port Brass Ball Valve, Sweat

Product Specifications

✓ To Submit	Part #	Size
	MLBVBSE0500	1/2"
	MLBVBSE0750	3/4"

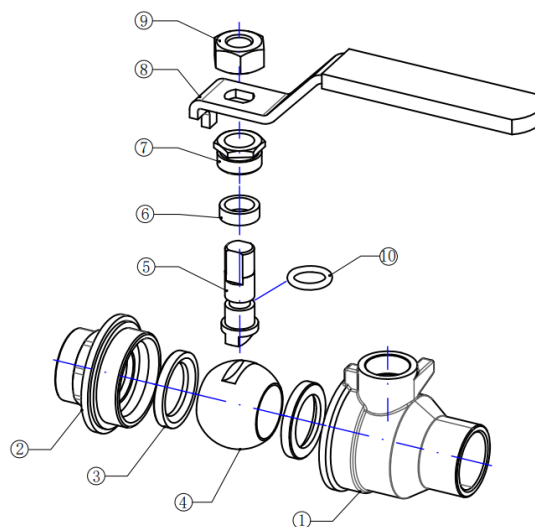
Product Features:

- 600# CWP
- 2-Piece Brass Body
- Full Port
- Brass Ball
- Virgin PTFE Seats
- Adjustable Packing Nut
- Blow-Out Proof Stem
- Sweat Ends



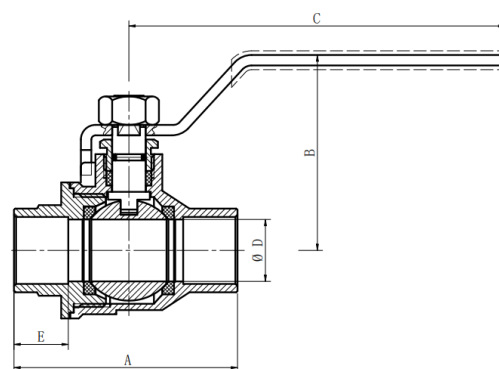
Materials & Specifications:

Item	Description	Material	Specification
1	Body	Brass	Brass CU>57%
2	End Cap	Brass	Brass CU>57%
3	Ball Seat	PTFE	PTFE
4	Ball	Brass	Brass CU>57%
5	Stem	Brass	Brass CU>57%
6	Stem Packing	PTFE	PTFE
7	Packing Nut	Brass	Brass CU>57%
8	Handle	Steel / Nickel Plated	1008
9	Stem Nut	Steel / Brass Plated	A570 Gr. A
10	O-Ring	FPM	FPM



Dimensions (inches), Valve Data:

Size	1/2"	3/4"
A	2.106	2.807
B	1.839	1.996
C	3.543	3.780
ΦD	0.583	0.748
E	0.512	0.748



Connection Working Pressure:

Pressure/Temperature Ratings	
600 PSI from 32°F to 200°F	150 PSI Max at 200°F

Warranty

See warranty information for more details.

All dimensions listed are nominal. MAINLINE® reserves the right to make product and material changes at any time without notice.

Contact your sales representative for more information or visit our website at mainlinecollection.com