



# Lead Free\* Full Port Brass Ball Valve, Sweat

## Product Specifications

| ✓ To Submit | Part #       | Size   |
|-------------|--------------|--------|
|             | MLBVBS0500LF | 1/2"   |
|             | MLBVBS0750LF | 3/4"   |
|             | MLBVBS1000LF | 1"     |
|             | MLBVBS1250LF | 1-1/4" |
|             | MLBVBS1500LF | 1-1/2" |
|             | MLBVBS2000LF | 2"     |

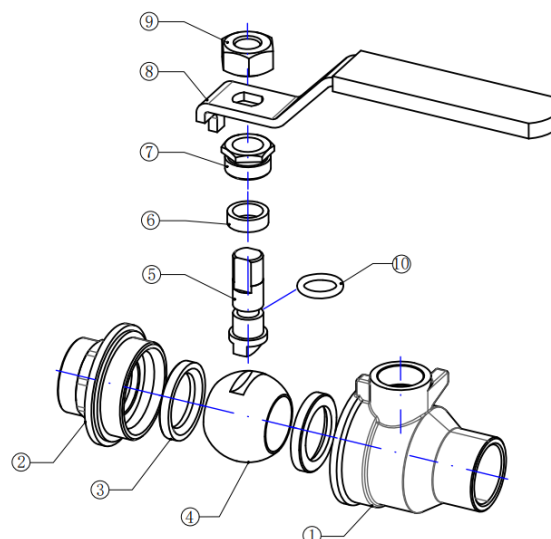
## Product Features:

- 600# CWP
- 2-Piece Lead Free Brass Body
- Full Port
- Lead Free Brass Ball (1/4-1); SS316 Ball (1-1/4-2)
- Virgin PTFE Seats
- Adjustable Packing Nut
- Blow-Out Proof Stem
- Sweat Ends
- cUPC, NSF-61 & NSF-372 Certified



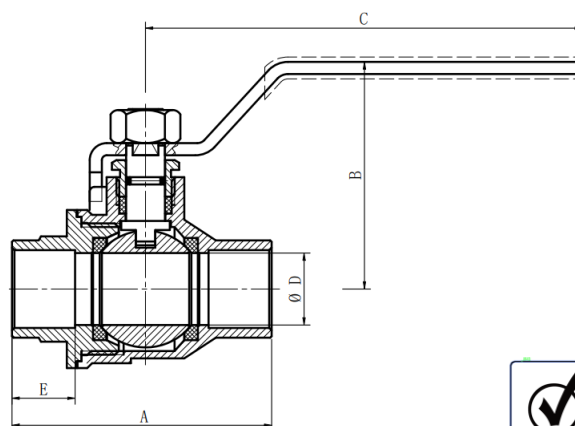
## Materials & Specifications:

| Item | Description  | Material                     | Specification   |
|------|--------------|------------------------------|-----------------|
| 1    | Body         | Brass                        | C46500          |
| 2    | End Cap      | Brass                        | C46500          |
| 3    | Ball Seat    | PTFE                         | PTFE            |
| 4    | Ball         | Brass(1/4-1); SS316(1-1/4-2) | C46500 or SS316 |
| 5    | Stem         | Brass                        | C37700          |
| 6    | Stem Packing | PTFE                         | PTFE            |
| 7    | Packing Nut  | Brass                        | C37700          |
| 8    | Handle       | Steel / Nickel Plated        | 1008            |
| 9    | Stem Nut     | Steel / Brass Plated         | A570 Gr.A       |
| 10   | O-Ring       | FPM                          | FPM             |



## Dimensions (inches), & Valve Data:

| Size | 1/2"  | 3/4"  | 1"    | 1-1/4" | 1-1/2" | 2"    |
|------|-------|-------|-------|--------|--------|-------|
| A    | 2.106 | 2.807 | 3.307 | 3.819  | 4.425  | 5.377 |
| B    | 1.839 | 2.140 | 2.449 | 3.040  | 3.169  | 3.486 |
| C    | 3.543 | 3.780 | 4.528 | 4.528  | 5.512  | 6.299 |
| ΦD   | 0.583 | 0.748 | 0.945 | 1.260  | 1.575  | 1.969 |
| E    | 0.512 | 0.748 | 0.906 | 0.972  | 1.098  | 1.346 |



## Connection Working Pressure:

| Pressure/Temperature Ratings |                      |
|------------------------------|----------------------|
| 600 PSI from 32°F to 200°F   | 150 PSI Max at 200°F |

## Warranty

See warranty information for more details.

All dimensions listed are nominal. MAINLINE® reserves the right to make product and material changes at any time without notice.



\* ≤ .25% Pb

NSF/ANSI/CAN 372  
NSF/ANSI/CAN 61



Contact your sales representative for more information or visit our website at [mainlinecollection.com](http://mainlinecollection.com)