



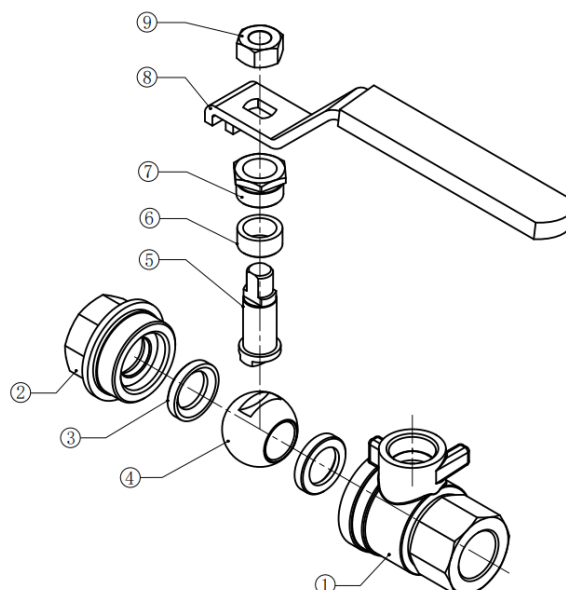
Economy Full Port Brass Ball Valve, Threaded

Product Specifications

✓ To Submit	Part #	Size
	MLBVBE0500	1/2"
	MLBVBE0750	3/4"
	MLBVBE1000	1"
	MLBVBE1250	1-1/4"
	MLBVBE1500	1-1/2"
	MLBVBE2000	2"

Product Features:

- 150# SWP, 600# CWP
- 2-Piece Brass Body
- Full Port
- Brass Ball
- Virgin PTFE Seats
- Adjustable Packing Nut
- Blow-Out Proof Stem
- Thread Ends

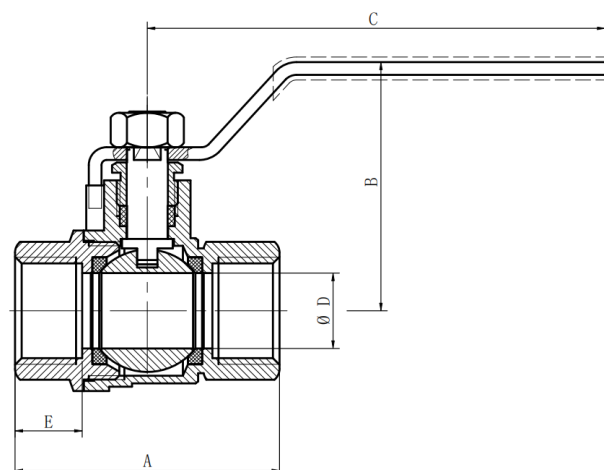


Materials & Specifications:

Item	Description	Material	Specification
1	Body	Brass	Brass CU>57%
2	End Cap	Brass	Brass CU>57%
3	Ball Seat	PTFE	PTFE
4	Ball	Brass	Brass CU>57%
5	Stem	Brass	Brass CU>57%
6	Stem Packing	PTFE	PTFE
7	Packing Nut	Brass	Brass CU>57%
8	Handle	Steel / Nickel Plated	1008
9	Stem Nut	Steel / Brass Plated	A570 Gr. A

Dimensions (inches), Valve Data:

Size	1/2"	3/4"	1"	1-1/4"	1-1/2"	2"
A	2.047	2.362	2.756	3.307	3.661	4.181
B	1.941	2.106	2.579	2.961	3.366	3.701
C	3.542	3.780	4.528	4.528	5.512	6.300
ΦD	0.583	0.748	0.945	1.260	1.575	1.969
E	0.520	0.563	0.630	0.709	0.717	0.748



Connection Working Pressure:

Pressure/Temperature Ratings	
600 PSI from 32° F to 200° F	150 PSI Max at 200° F

Warranty

See warranty information for more details.

All dimensions listed are nominal. MAINLINE® reserves the right to make product and material changes at any time without notice.

Contact your sales representative for more information or visit our website at mainlinecollection.com