



# Economy Full Port Brass Ball Valve, Threaded

## Product Specifications

✓ To Submit	Part #	Size
	MLBVBE0500LF	1/2"
	MLBVBE0750LF	3/4"
	MLBVBE1000LF	1"
	MLBVBE1250LF	1-1/4"
	MLBVBE1500LF	1-1/2"
	MLBVBE2000LF	2"

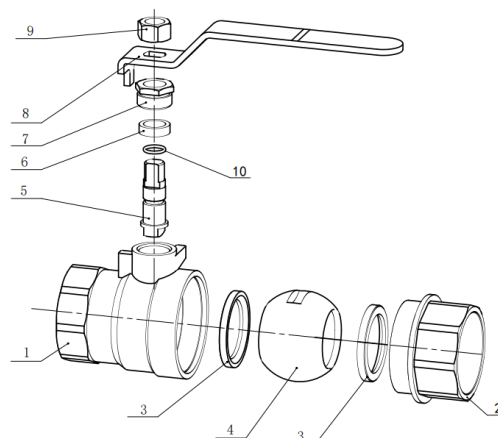
## Product Features:

- 600# CWP
- Lead free 2-Piece Brass Body
- Full Port
- Lead Free Brass Ball (1/4-1); SS304 Ball (1-1/4-2)
- Virgin PTFE Seats
- Adjustable Packing Nut
- Blow-Out Proof Stem
- Threaded Ends
- cUPC, NSF-61 & NSF-372 Certified



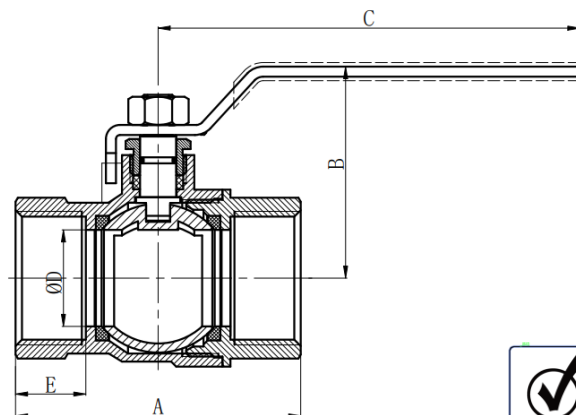
## Materials & Specifications:

Item	Description	Material	Specification
1	Body	Lead Free Brass	C46500
2	End Cap	Lead Free Brass	C46500
3	Ball Seat	PTFE	PTFE
4	Ball	1/4-1: Brass; 1-1/4-2: SS304	C46500 or SS304
5	Stem	Brass	C37700
6	Stem Packing	PTFE	PTFE
7	Packing Nut	Brass	C37700
8	Handle	Steel / Chrome Plated	1008
9	Stem Nut	Steel / Nickel Plated	A570 GR.A
10	O-Ring	FPM	FPM



## Dimensions (inches), Valve Data:

Size	1/2"	3/4"	1"	1-1/4"	1-1/2"	2"
A	1.906	2.748	2.795	3.165	3.543	4.134
B	1.720	1.854	2.071	2.807	3.031	3.528
C	3.150	3.937	4.134	4.528	4.724	5.512
ΦD	0.500	0.709	0.945	1.201	1.457	1.949
E	0.512	0.630	0.689	0.689	0.709	0.748



## Connection Working Pressure:

Pressure/Temperature Ratings	
600 PSI from 32° F to 200° F	150 PSI Max at 200° F

## Warranty

See warranty information for more details.

All dimensions listed are nominal. MAINLINE® reserves the right to make product and material changes at any time without notice.



\* ≤ .25% Pb

NSF/ANSI/CAN 372  
NSF/ANSI/CAN 61



C

Contact your sales representative for more information or visit our website at [mainlinecollection.com](http://mainlinecollection.com)