

Roof Top Blox

Product Specifications



MAINLINE



MLRTB01

Roof Top Blox Product Specifications

Body Material	Black UV stabilized Polypropylene Copolymer .100" to .135" wall thickness.
Base Material	1" thick by 25psi, type 4 closed cell structural foam.
Dimensions/Weight	8-7/8" square by 4-1/2" high, top accessory adds 1-1/2" to height for 6" height requirements. Blox interlock end to end for wide multi-piping platforms.
Load Bearing	Max load per Blox – Single Point Load: 250lbs/113kg, Dual Point or Strut-Mounted Load: 350lbs/158kg. Apply a slotted steel strut channel under heavy loads over 250lbs.
Spacing	Space Blox approximately every 7 feet along all piping.
Pipe Fastening	Screw indents guide fastening screws into special internal engineered thread gripping Fastening feature. #10 sheet metal screws recommended. Blox supplied with 3/4" galvanized universal quick clamping strap for up to 2" pipe. Top surface easily adapts to all types of piping clamps, clips, slotted strut and 3/8" or 1/2" threaded rod. All pipe fastening and adjustments done from top side only.
Warranty	20 years Roof Top Blox replacement against manufacturer's defect.
Applications	Blox engineered to install on flat roof surfaces for supporting gas, condensate or refrigeration lines, electrical conduits, ductwork or roof top walkways and mechanical equipment. Rated for temperatures up to 200°F/93°C.
Accessories	1-1/2" Polypropylene top height extender, 10" slotted steel strut, 12" threaded rod, pipe rollers, securing brackets, M-1 adhesive, and primer for M-1 adhesive.



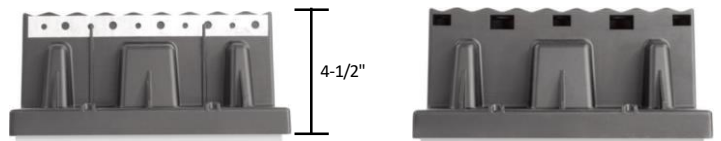
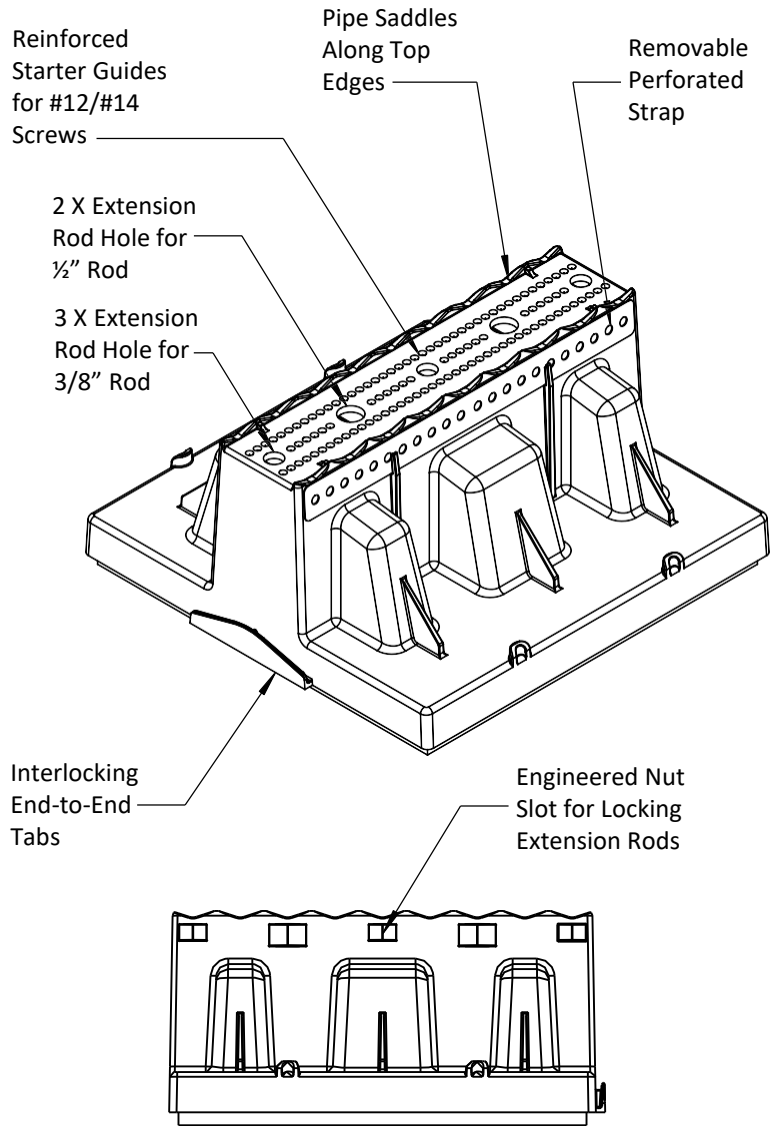
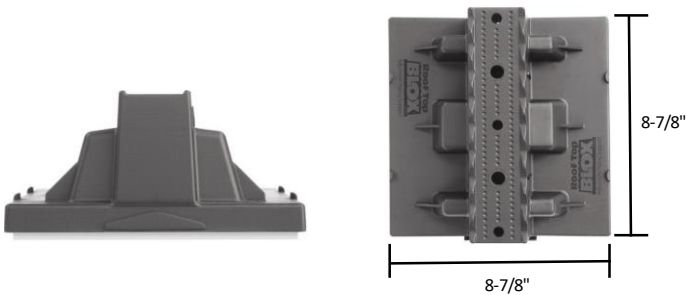
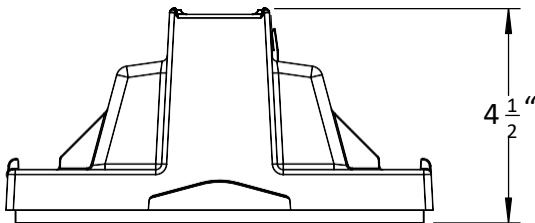
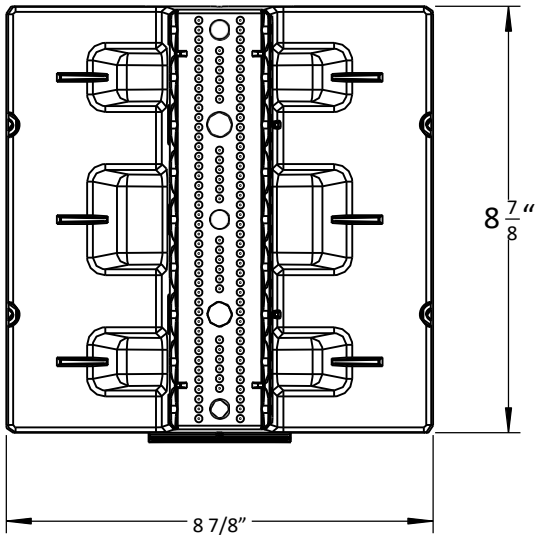
Contact your sales representative for more information or visit our website at mainlinecollection.com

Roof Top Blox

Product Specifications



MLRTB01



Contact your sales representative for more information or visit our website at mainlinecollection.com