

SILGRANIT®

Double Bowl 60/40 Offset Dual Mount

LUXART®

Product Specifications

MODELS

LX440215 Double Bowl, 9-1/2" & 8" bowl depths, ANTHRACITE
LX440213 Double Bowl, 9-1/2" & 8" bowl depths, CAFÉ BROWN
LX440216 Double Bowl, 9-1/2" & 8" bowl depths, WHITE
LX440214 Double Bowl, 9-1/2" & 8" bowl depths, METALLIC GRAY
LX441283 Double Bowl, 9-1/2" & 8" bowl depths, TRUFFLE
LX441465 Double Bowl, 9-1/2" & 8" bowl depths, CINDER
LX442908 Double Bowl, 9-1/2" & 8" bowl depths, COAL BLACK
LX443063 Double Bowl, 9-1/2" & 8" bowl depths, SOFT WHITE
LX443100 Double Bowl, 9-1/2" & 8" bowl depths, VOLCANO GRAY



Model LX440215 shown in ANTHRACITE
** basket strainer not included*

FEATURES

- Required outside cabinet: 33" (drop-in), 36" (undermount)
- 80% solid granite
- Heat resistant up to 536°F
- Unsurpassed cleanability backed by industry leading 7 patents!
- Resistant to scratches, stains and all household acids and alkali solutions
- Template provided
- Undermount clips NOT included
- 1/2" deck thickness
- Versatile dual deck design can be installed as a drop-in or undermount
- Limited lifetime warranty

OPTIONAL ACCESORIES

- Celcon Disposal Flange with Strainer/Stopper: LX125
- Celcon Basket Strainer: LX105

CODE/STANDARDS COMPLIANCE

ANSI Z124.6-97
IAPMO/UPC listed

NOMINAL DIMENSIONS

OVERALL	CUTOUT SIZE	BOWL DEPTH		DRAIN DIAMETER
		LEFT	RIGHT	
33"x22"	32-1/4"x21-1/4"	9-1/2"	8"	3-1/2"

DFX cutout templates available on our website

All dimensions listed are nominal. Luxart® reserves the right to make product and material changes at any time without notice.



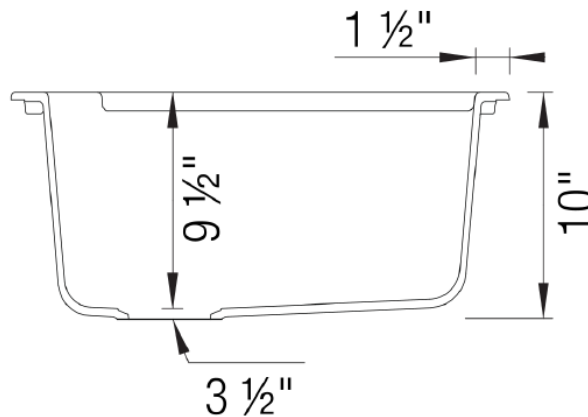
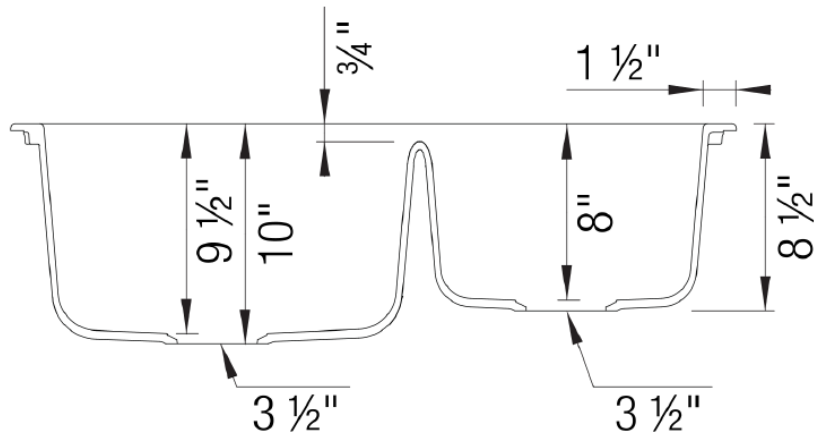
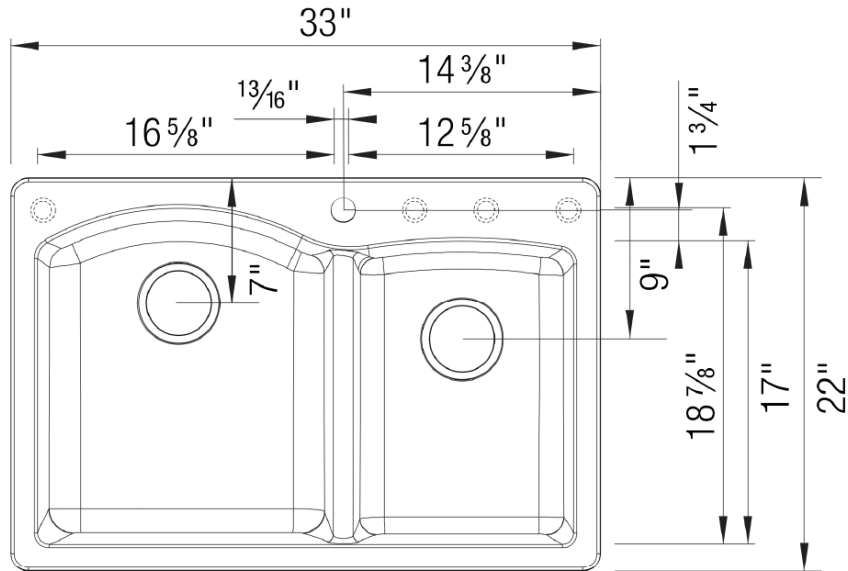
Contact your sales representative for more information or visit our website at luxartcollection.com

SILGRANIT®

Double Bowl 60/40 Offset Dual Mount

LUXART®

Product Specifications



Contact your sales representative for more information or visit our website at luxartcollection.com