



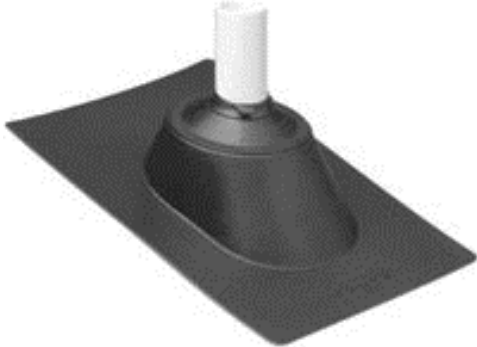
MAINLINE®

Adjustable Hard Plastic Base Roof Flashing

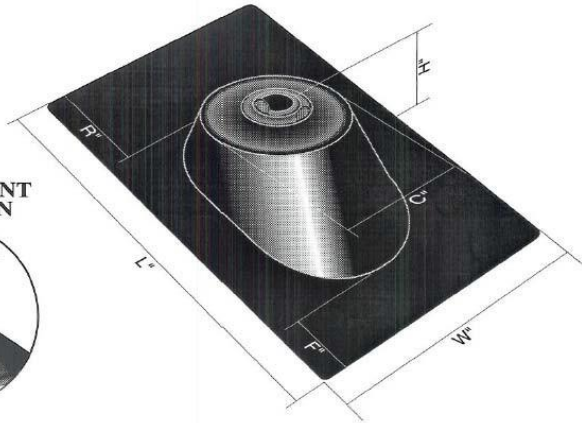
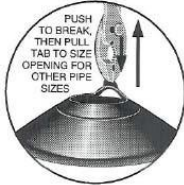
Product Specifications

FEATURES

- Adjustable multi-size flashing fits 1-1/4" to 4" vent pipe
- Fits any roof pitch to 45 degrees
- Tested for ultraviolet, ozone, and weather resistance
- Elastomer collar heat tested to 180 degrees Fahrenheit
- Approved for Type "B" installations



ADJUSTMENT FUNCTION



✓ To Submit	Part #	Description	Dim W	Dim L	Dim R	Dim F	Dim C	Dim H
	ML81700	1-1/4", 1-1/2", 2" or 3" Adjustable Hard Plastic Roof Flashing	11-1/8"	15"	3-1/2"	2-1/2"	5-3/10"	2-7/8"
	ML81709	1-1/4", 1-1/2", 2", 3" or 4" Adjustable Hard Plastic Roof Flashing	12"	15-1/2"	3-3/8"	2-1/8"	6-1/4"	2-9/10"

Warranty

See warranty information for more details.

All dimensions listed are nominal. MAINLINE® reserves the right to make product and material changes at any time without notice.



Florida Building Code Approved
#FL3066-R2



Contact your sales representative for more information or visit our website at mainlinecollection.com