



Multi-Purpose Box with Air Admittance Valve

Product Specifications

MAINLINE®

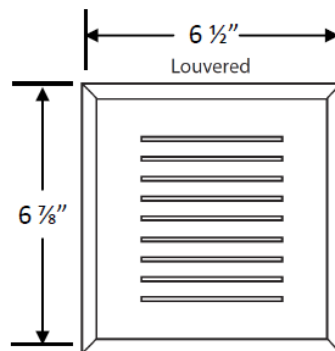
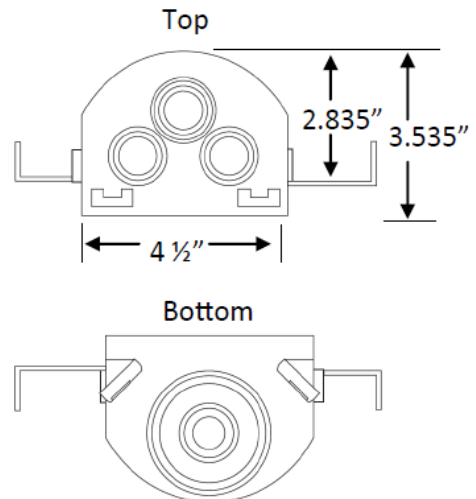
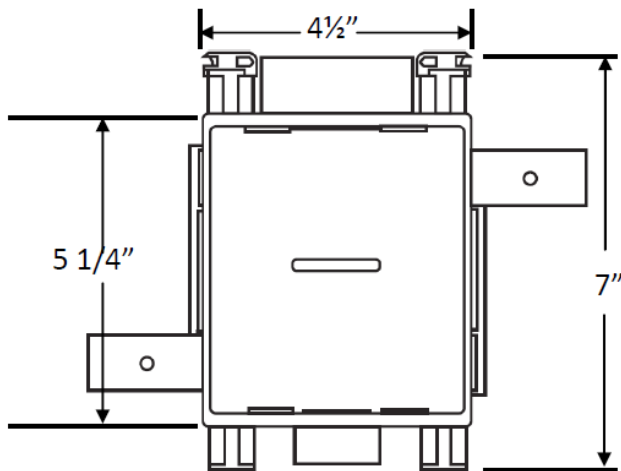
The Multi-Purpose Box with Air Admittance Valve can be used in conjunction with a two-box system or individually.

FEATURES:

- Includes a one-piece louvered frame and air admittance valve
- Mounting flanges-no clips to lose or hassle with
- Top and bottom stabilizer bar slots
- Nail slots
- Box and frame material: PVC
- Box is listed by IAPMO



✓ To Submit	Part #	Description
	ML82939	Louvered Frame Multibox With Air Admittance Valve



Warranty

See warranty information for more details.

All dimensions listed are nominal. MAINLINE® reserves the right to make product and material changes at any time without notice.



Contact your sales representative for more information or visit our website at mainlinecollection.com



MAINLINE®

Multi-Purpose Box with Air Admittance Valve

Product Specifications

An air admittance valve shall be acceptable as a vent termination for any individual vent, common vent, circuit vent, loop vent and island fixture vent that is provided to prevent siphonage of a fixture trap. An air admittance valve can be used as an alternative to extending a vent through the roof (or sidewall) to the open atmosphere.

Features:

- Screening on the inside and outside of the valve to protect the sealing membrane from insects and debris
- Will vent up to 20 DFUs

Location:

- The vent should be located a minimum of 4" horizontal branch drain or fixture drain being vented and a minimum of 6" above the flood level of the highest fixture for stack venting
- Each valve should be installed in an accessible location

Installation:

- The valve should be connected to the piping in accordance with the manufacturer's installation instructions
- The valve should be installed in the vertical, upright position after rough-in and pressure testing of the DWV system
- A minimum of one vent shall extend to the open atmosphere for every building drainage system
- The valve should not be installed in non-neutralized special (chemical) waste system or in supply and return air plenums
- For installation in areas with temperature range between -40°F and +150°F

Materials:

- ABS (acrylonitrile butadiene styrene) valve with silicone membrane
- ABS or PVC (adaptor)

Code Approvals:

- International Plumbing Code (IPC) 2003 Edition
- Southern Building Code Council International (SBCCI) 1994 Edition
- Building Official Code Administration (BOCA) 1993 Edition
- International Residential Code (IRC) 2003 Edition
- Uniform Plumbing Code (UPC) Section 301.2 Alternative Materials and Methods 2003 Edition

Listings:

- International Plumbing Code (IPC)
- International Residential Code (IRC)
- Uniform Plumbing Code (UPC) Section 301.2 Alternative Materials and Methods
- National Standard Plumbing Code (NSPC)—Appendix "E"
- National Plumbing Code of Canada (NPC)

Performance Standards:

- ANSI/ASSE 1051—2009 single fixture and branch type AAVs
- ANSI/ASSE 1050—2009 stack type AAVs
- NSF Standard 14—2009 Plastics Piping System and Components



Fits 1 1/2" or 2" pipe sizes



Horizontal Branch Size	Max DFUs
1 1/2"	3
2"	6
3"	20
4"	20
Stack Size	Max DFUs
1 1/2"	8

Contact your sales representative for more information or visit our website at mainlinecollection.com