

# Water Supply Straight Stop Valve

## Product Specifications

### FEATURES

- Easy Quarter Turn Operation
- Inlet - 1/2" Sweat
- Outlet - 3/8" O.D. Comp.
- Temperature: 40° to 140° Fahrenheit
- Pressure: 125 PSI Maximum
- Material: Machined One Piece Brass Body
- Brass Stem and Chrome Ball
- Chrome Plated

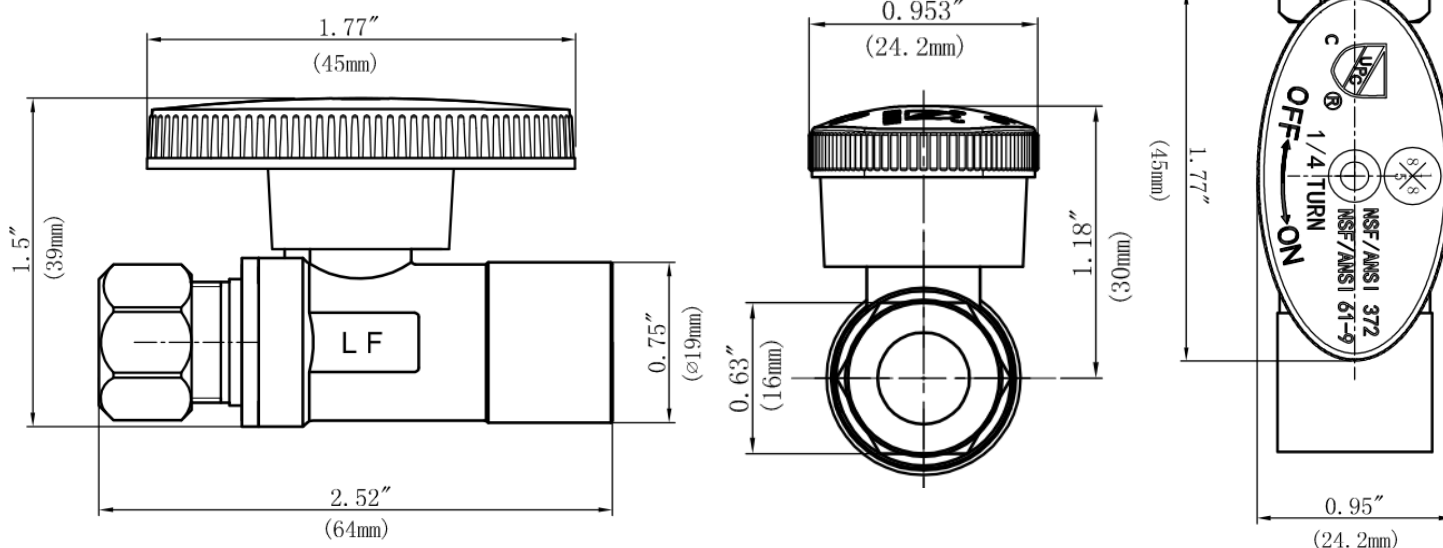


**MLQTR14CX**

### APPLICABLE STANDARDS/CODES

Specified model meets or exceeds the following:

- ASME A112.18.1/CSA B125.1
- IAPMO/cUPC
- NSF/ANSI 372
- NSF/ANSI 61 – Sec. 9
- \*≤ .25% Pb
- Solder Inlet Complies with ANSI B16.18



### Warranty

See warranty information for more details.

All dimensions listed are nominal. MAINLINE® reserves the right to make product and material changes at any time without notice.



Contact your sales representative for more information or visit our website at [mainlinecollection.com](http://mainlinecollection.com)