



MAINLINE®

Plastic Basic Round Toilet Seat

Product Specifications

Description

Closed front with cover, round, injection molded solid plastic toilet seat. Features four molded-in bumpers, color-matched Top-Tite® hinges with non-corrosive, top-tightening Hex-Tite® bolts and wing nuts. This seat complies with American National Standard Z124.5 Toilet (Water Closet) Seats as a class Residential.

Model: ML70

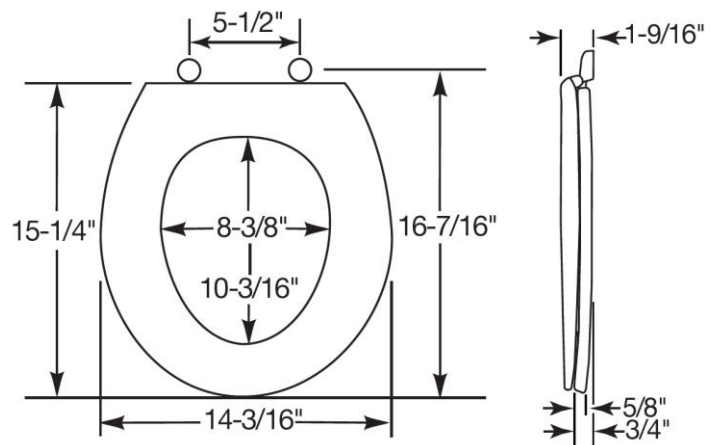
Specifications	
Size:	Round
Weight:	3.0 lbs
Color:	White (000)
Material:	Plastic
Style:	Closed Front with Cover
Bumpers:	Four
Hinges:	Plastic Top-Tite®
Fastening System:	Non-Corrosive Hex-Tite® Bolts and Wing Nuts



TOP-TITE® HINGES



NON-CORROSIVE
BOLTS AND WING NUTS



Warranty

See warranty information for more details.

All dimensions listed are nominal. MAINLINE® reserves the right to make product and material changes at any time without notice.



Complies with
IAPMO/ANSI Z124.5
Performance Standards
Residential



Contact your sales representative for more information or visit our website at mainlinecollection.com