

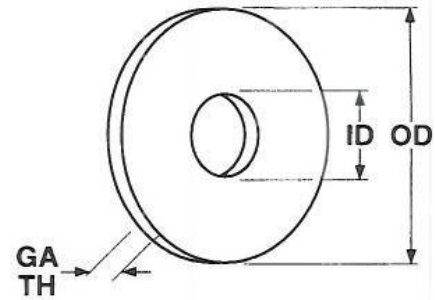
Flat Washer Stainless Steel

Product Specifications



PRODUCT FEATURES

- 18-8 and 316 Stainless Steel Available



Bolt Size	Inside Diameter Max.	Inside Diameter Min.	Outside Diameter Max.	Outside Diameter Min.	Thickness* Max.	Thickness* Min.
#12	0.263	0.253	0.505	0.495	0.047	0.033
1/4	0.290	0.280	0.630	0.620	0.047	0.033
5/16	0.349	0.339	0.755	0.745	0.047	0.033
3/8	0.411	0.401	0.880	0.870	0.057	0.043
7/16	0.505	0.495	1.130	1.120	0.070	0.055
1/2	0.567	0.555	1.255	1.245	0.070	0.055
9/16	0.630	0.600	1.067	1.055	0.088	0.068
5/8	0.692	0.683	1.505	1.495	0.088	0.068
3/4	0.820	0.810	1.755	1.745	0.113	0.090
7/8	0.942	0.932	2.005	1.995	0.113	0.090
1	1.067	1.057	2.005	1.995	0.123	0.108
1--1/8	1.195	1.178	2.505	2.495	0.123	0.108
1--1/4	1.317	1.307	2.755	2.745	0.123	0.108
1--1/2	1.570	1.550	3.265	3.245	0.149	0.129
1--3/4	1.950	1.750	3.650	3.450	0.149	0.129
2	2.185	2.050	4.125	3.900	0.169	0.149

*Washer Thickness may vary ± 0.007 depending on production run. Per ASTM A380

Material	18-8 Stainless Steel	316 Stainless Steel
	Made from 303, 303Se, 304, or XM7. Containing 18% Chromium and 8-10% Nickel	Made from 316 Stainless Steel varying from 18% Chromium by 2% Molybdenum and 10-14% Nickel

Warranty: See warranty information for more details.

All dimensions listed are nominal. MAINLINE® reserves the right to make product and material changes at any time without notice.

Contact your sales representative for more information or visit our website at mainlinecollection.com