



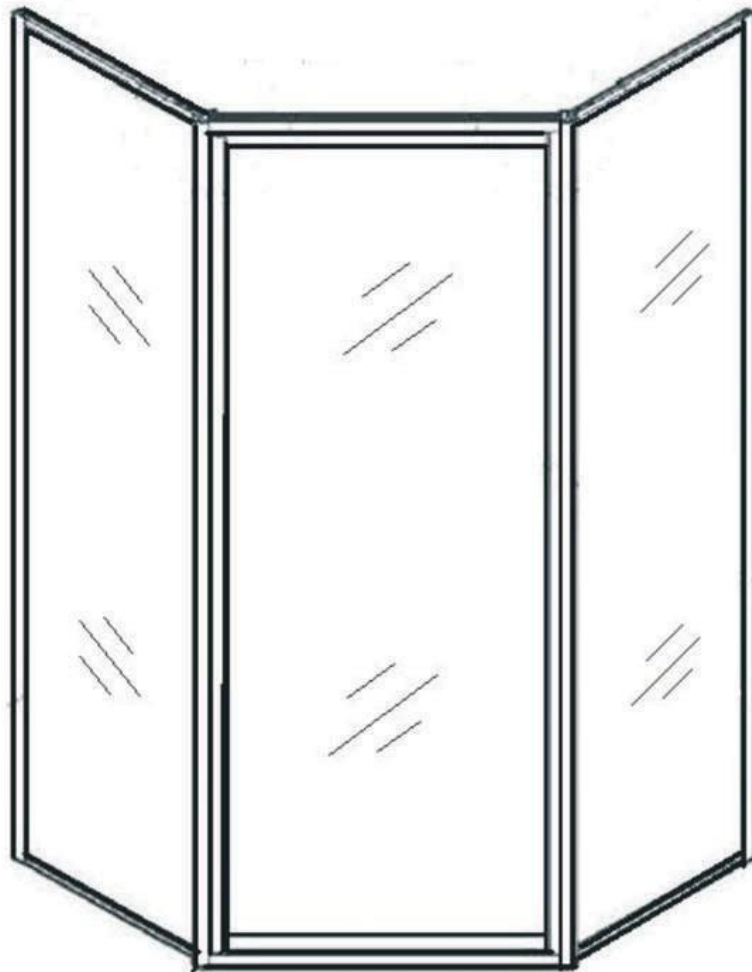
SOPHISTICATED NEO-ANGLE SHOWER DOOR

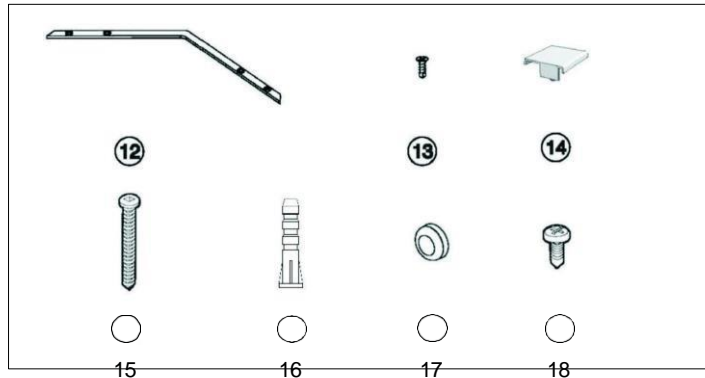
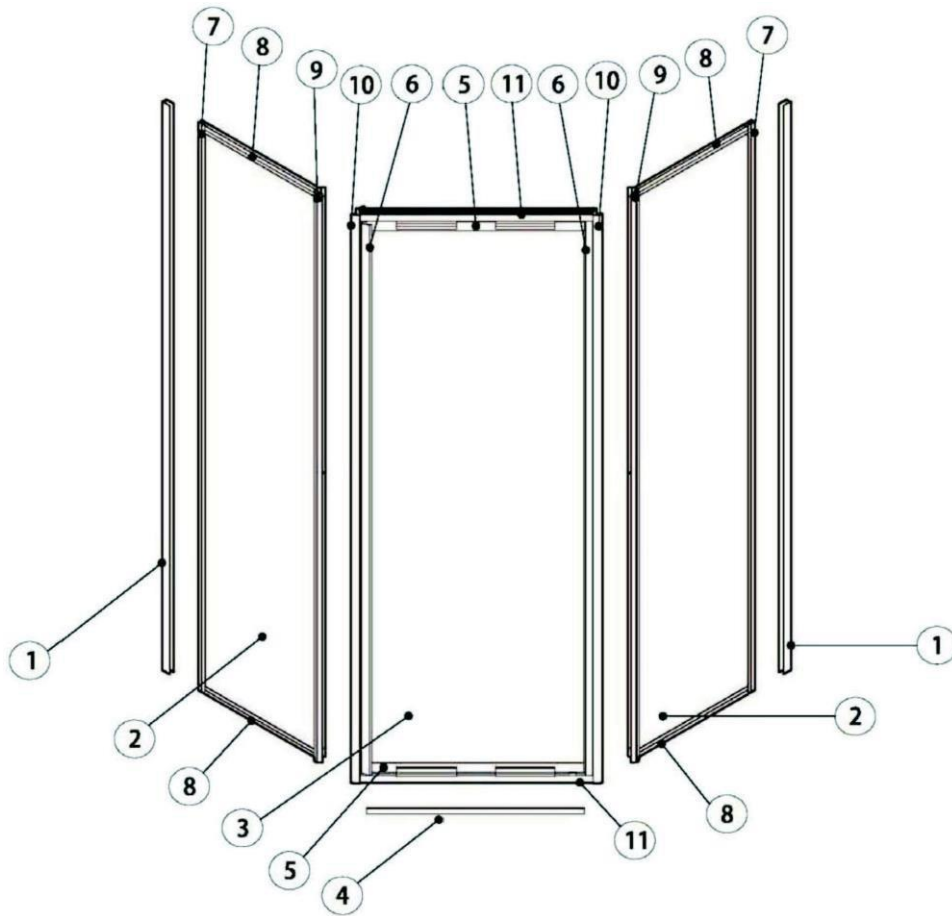
Installation Manual

Model No. _____

IMPORTANT: Record the Model No.(see carton) of your tub or shower enclosure for future reference.

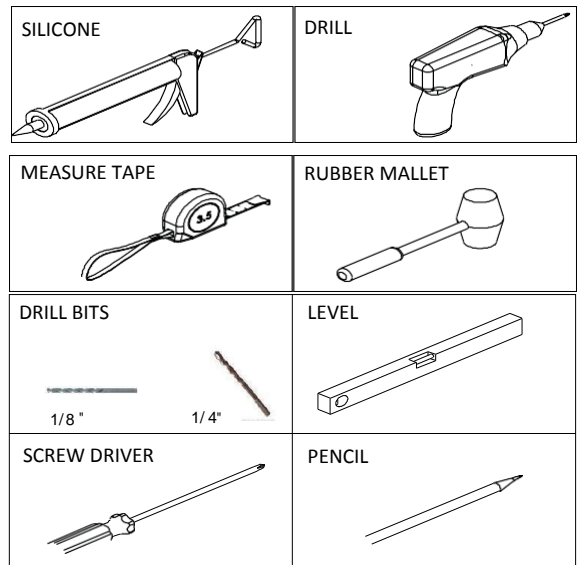
READ THE INSTRUCTIONS CAREFULLY, familiarize yourself with all the parts as shown in the exploded view. The exploded view will also provide a helpful reference when relating to the location of the various parts and how they are mounted.





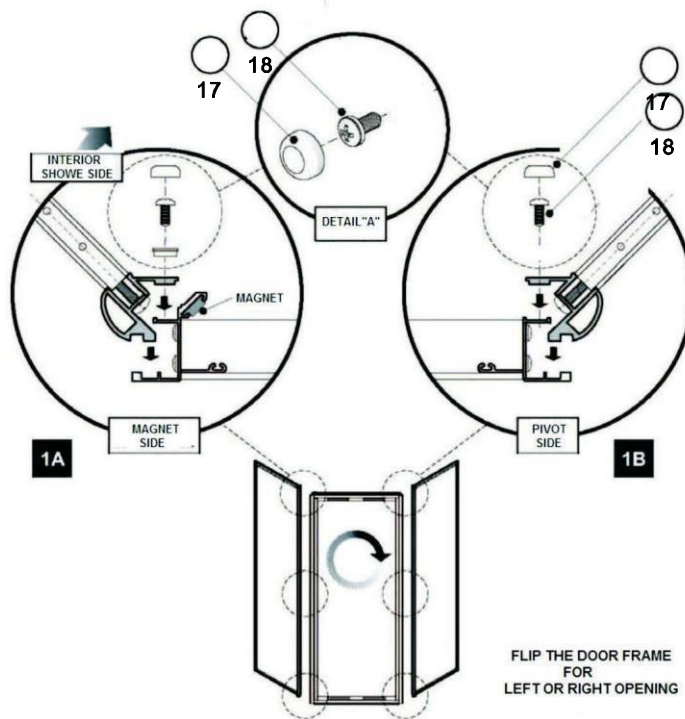
ITEM	PARTS LIST	QTY
1	WALL JAMB	2
2	FIXED PANEL	2
3	DOOR PANEL	1
4	SPLASH GUARD	1
5	FRAMED VERTICAL DOOR PANEL	2
6	FRAMED HORIZONTAL FIXED PANEL	2
7	FRAMED VERTICAL FIXED PANEL	2
8	FRAMED HORIZONTAL FIXED PANEL	4
9	FRAMED CONNECTOR FIXED PANEL	2
10	FRAMED VERTICAL SUPERIER FOR DOOR PANEL	2
11	FRAMED HORIZONTAL SUPERIER FOR DOOR PANEL	2
12	ANGLE DE RENFORT	2
13	SCREW 4x12	8
14	WALL JAMB CAP	4
15	SCREW 4 x 38	6
16	WALL PLUG	6
17	SCREW CAP	12
18	SCREW 4 x 15	6

◆ TOOLS



WARNING: Safety glasses should always be worn when working with tempered glass

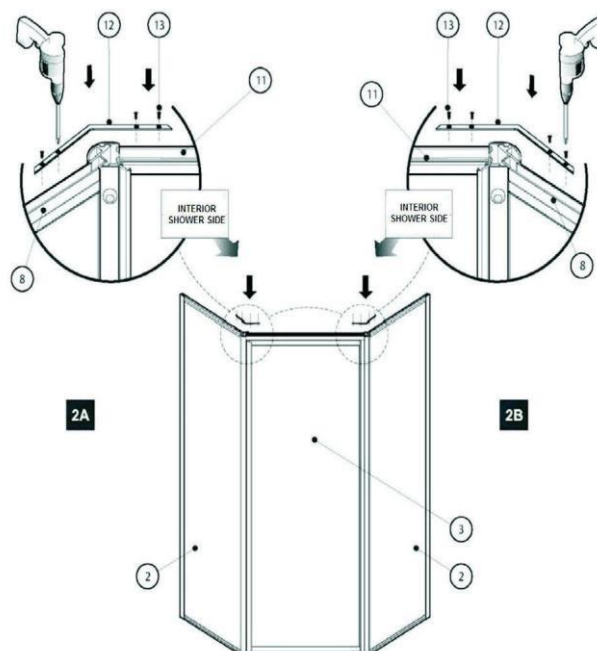




1 INSTALL 1A and 1B

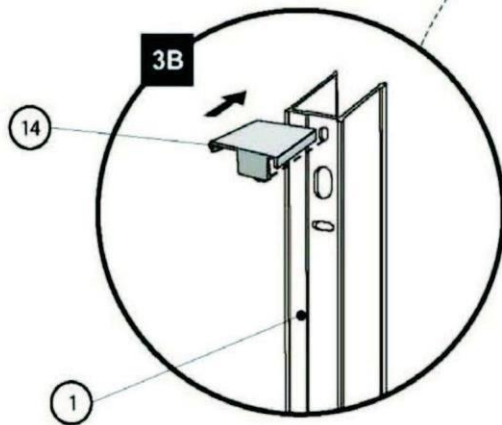
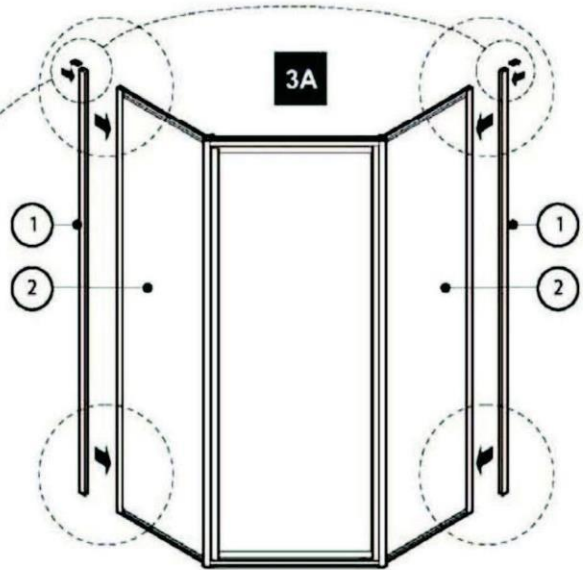
2 REINFORCE THE FRAME

2A-2B Insert angle bracket (#12) into top frame of the side panel (#8) attached to the top door frame (#11), by use screw (#13).



3 WALL JAMBS POSITIONING

3A. Insert wall jambs(#1) into assembly.



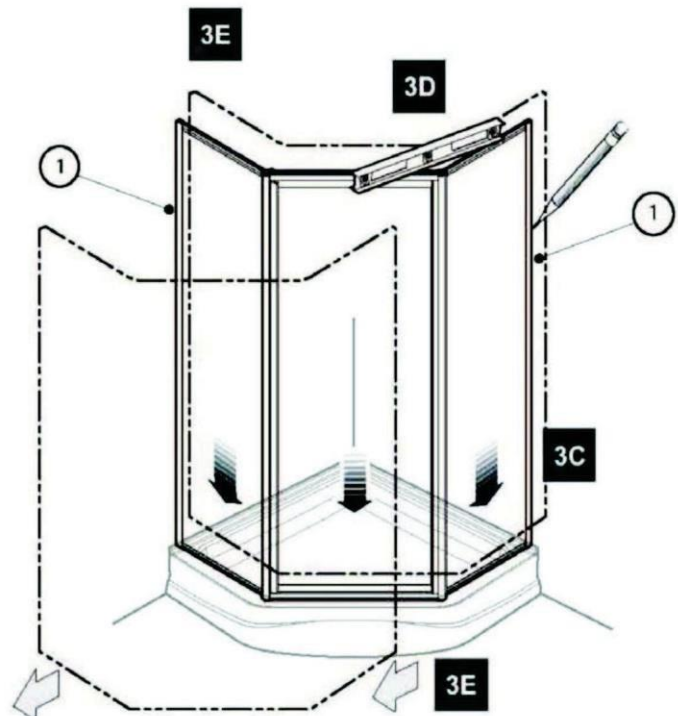
REPEAT ON BOTH SIDES

3B. Insert wall jambs cap(#1)

3C. Positioning and center the frame together with wall jambs(#1) onto threshold of shower base.

3D. Adjust and level the assembly.
Trace outer edge of wall jambs(#1).

3E. Remove the assembly from base temporarily.

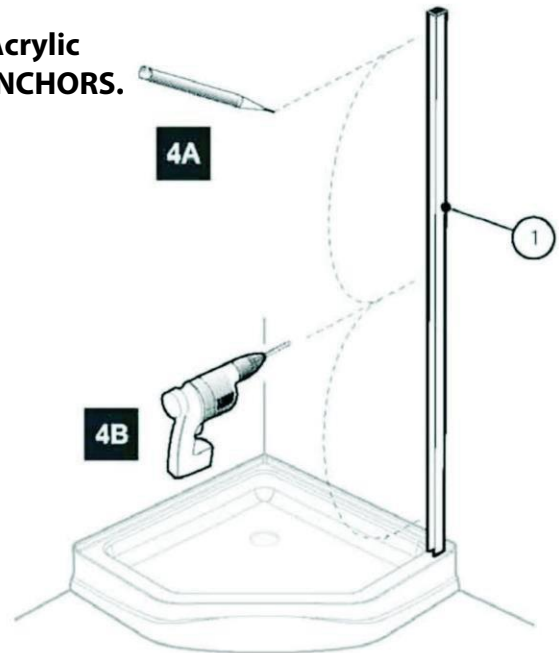


4 INSTALLING WALL JAMBS

! When attaching your door to Fiberglass or Acrylic you must use a 1/8" drill bit and NO WALL ANCHORS.

4A. Realign wall jamb. Mark drilling location.
Remove the wall jamb temporarily(#).

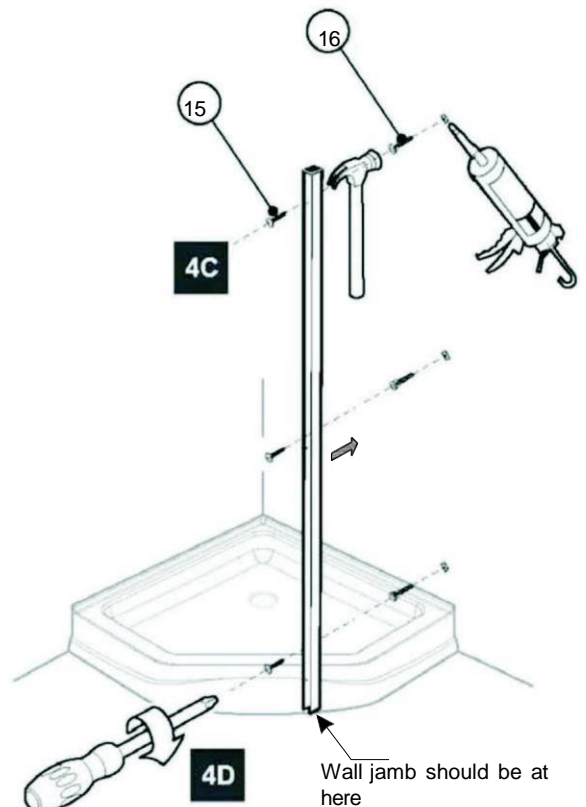
4B. With a 1/4" drill bit, drill 4 holes into the wall using the marks as a guide



REPEAT ON BOTH SIDES

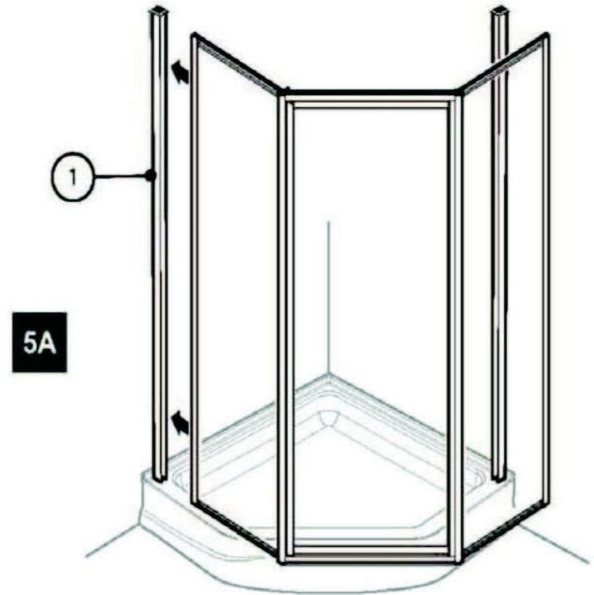
4C. Insert 6 wall plugs(#16) and put in each a drop of silicone.

4D. Fasten wall jamb with screw 4x38mm (#15)

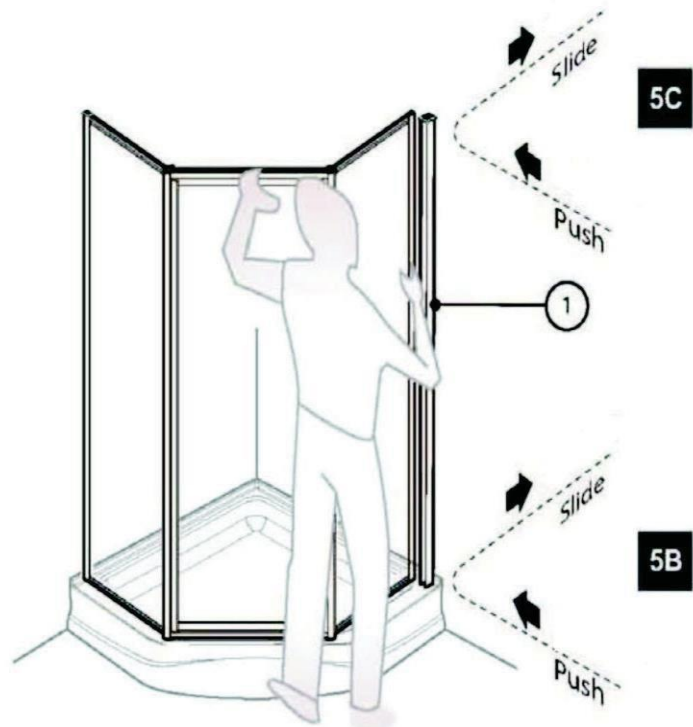


5 INSTALL THE SHOWER DOOR UNIT

5A. Insert one side of assembly into wall-jamb(#1) as shown.



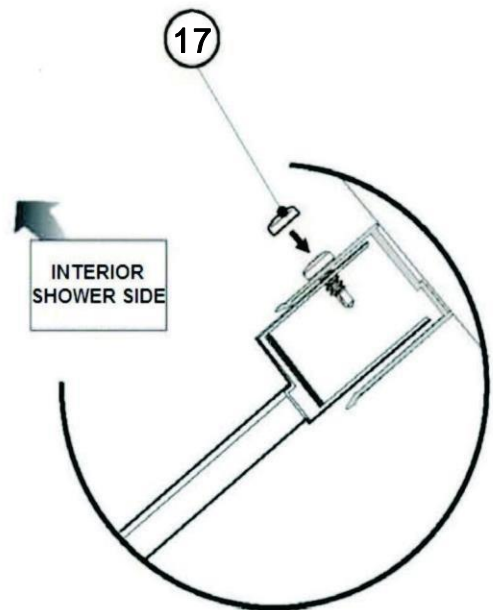
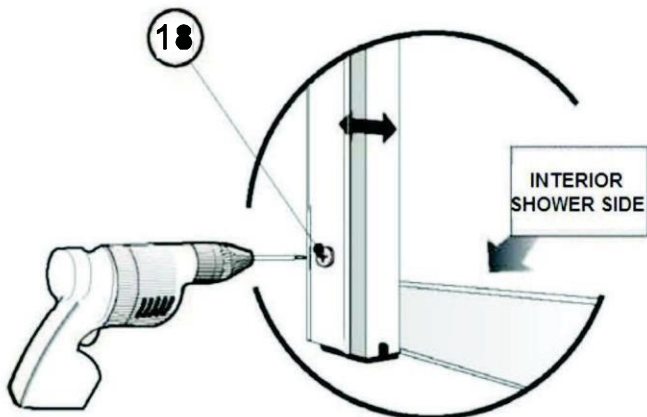
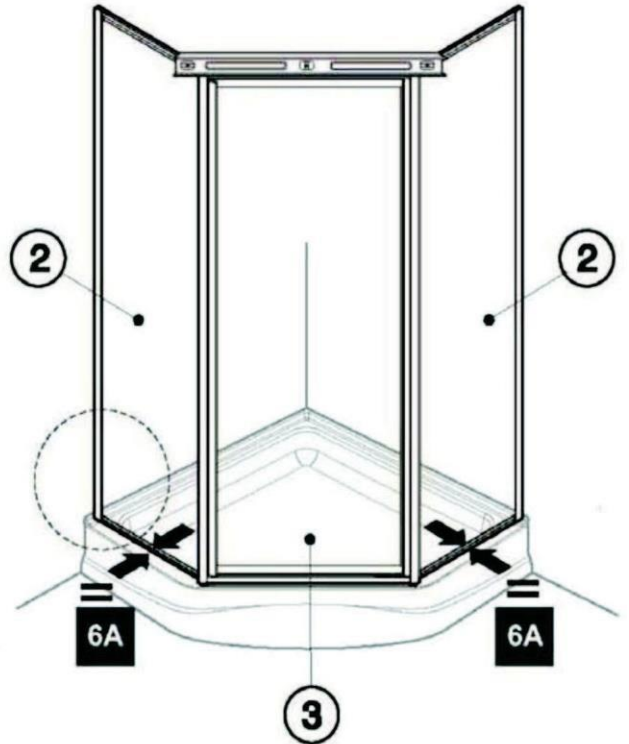
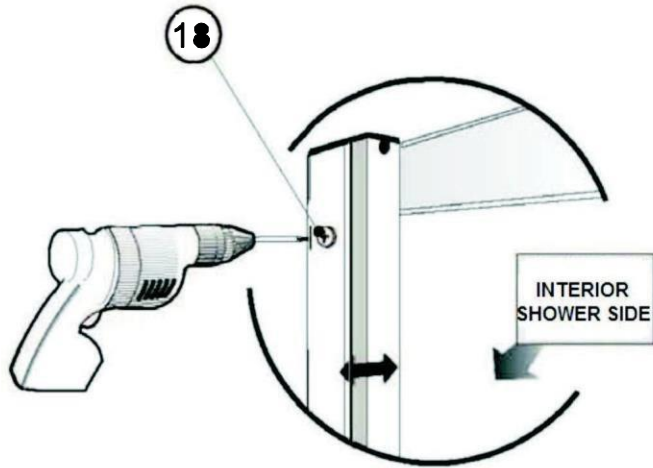
5B-5C. Engage the other side of assembly into wall jamb(#1)



6 SHOWER DOOR ADJUSTMENT

6A. Adjust assembly on the base.

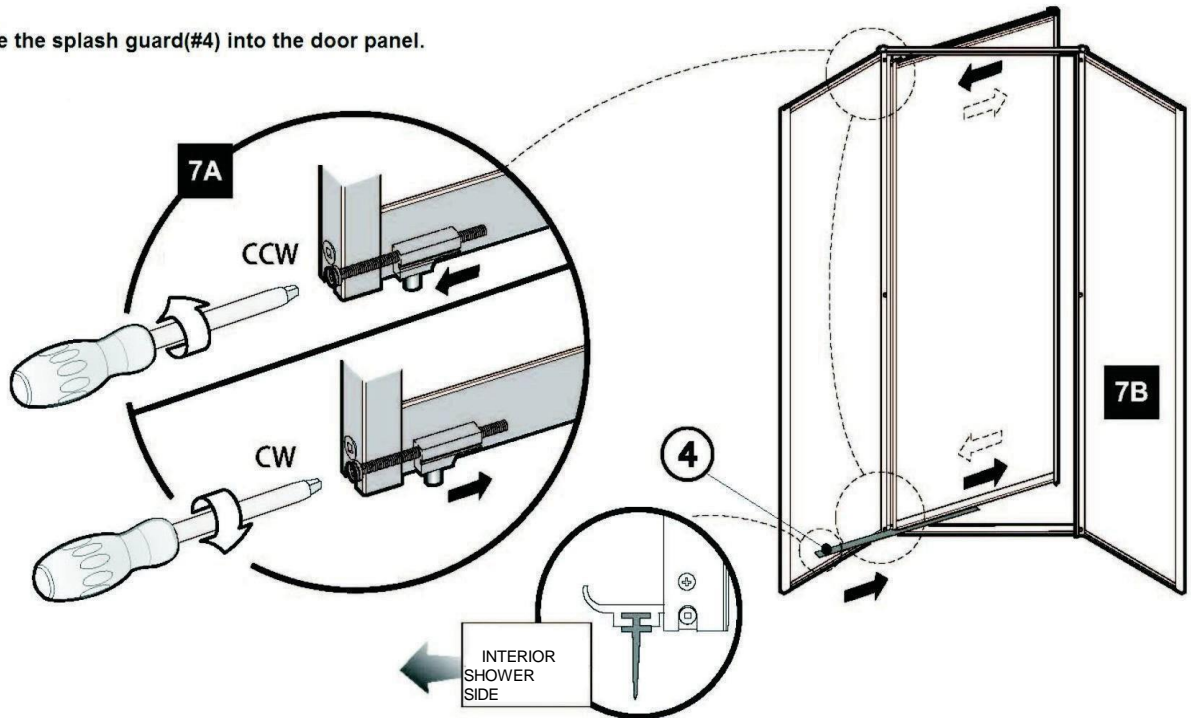
6B. Insert shower assembly into wall-jamb(#1) by securing with screws(#16).



7 SHOWER DOOR ADJUSTMENT

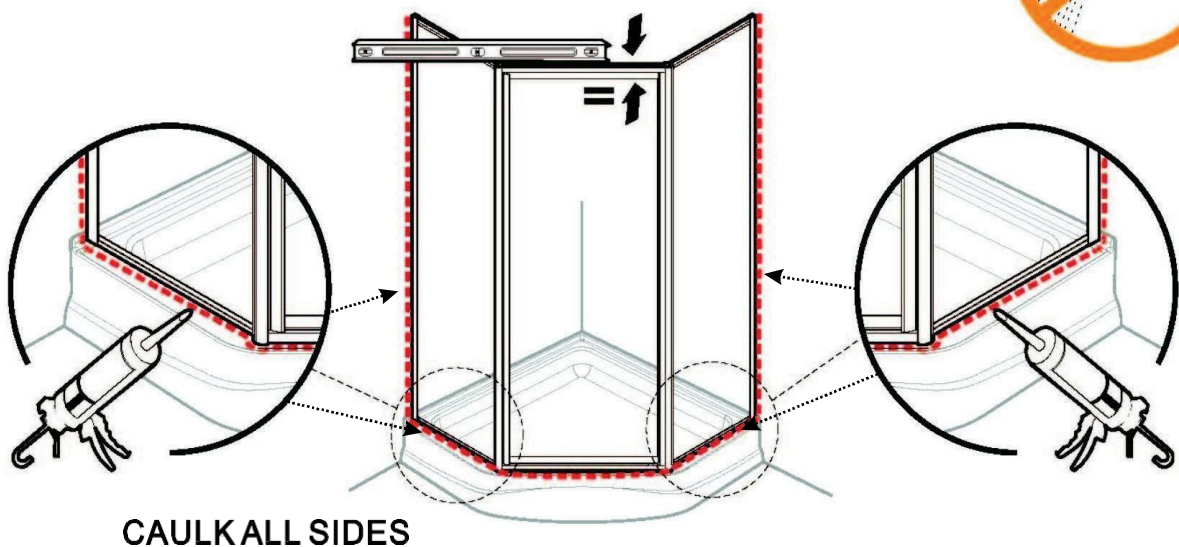
7A. If it is necessary adjust the door panel, with a phillips head screw driver.

7B. Slide the splash guard(#4) into the door panel.



8 SILICON SEAL THE SHOWER.

8A. Silicone exterior the bottom of the fixed panel(#8) and frame (#11) and along the wall jamba(#1).



ATTENTION CONSUMER:

IMPORTANT WARRANTY INFORMATION

PLEASE DO NOT DISCARD

Thank you for your purchase.

In order to be eligible for product warranty, please register your door on our website within two (2) weeks of installation.

Go to:

<https://www.luxartcollection.com/pages/register-warranty>

Or scan the QR Code below and follow the instructions.



For any questions or comments
about your purchase,
please contact our Customer Service at:
customerservice@1858brands.com



WARRANTY

The distributor warrants to the original purchaser that this fixture will be free of manufacturing defects, which affect its performance as a bathing or showering fixture, under the following conditions and subject to the limitations contained in the “Remedies” and “Warranty Limitations” sections. The Limited Warranty applies for 5 years from the date of purchase if the fixture is used in a residential owner-occupied building for non-commercial purposes or for 2 years from the date of purchase if it is used in any other building, including any building used for rental, commercial or business purposes. This Limited Warranty is void if the fixture is not installed in accordance with the installation instructions supplied by the distributor, or local building codes and ordinances, or if the care and cleaning instructions supplied by the distributor are not followed. This Limited Warranty is also void if the fixture is moved from the location of its initial installation or is subjected to accident, abuse, or misuse. The Limited Warranty excludes normal wear and tear. This Limited Warranty shall be void unless any failure or non-conformance is discovered before the expiration of this warranty, and is reported to the distributor, in writing, accompanied by the original proof of purchase, within 30 days of discovery. **REMEDIES** - The original purchaser’s remedy under this Limited Warranty is limited to the repair, replacement or refund of the purchase price of the fixture, at the distributor’s sole option, of any part of the fixture that has failed or does not conform to the manufacturer’s specifications, limited to, damage to or loss of use of the building or its contents, arising out of any defect in the fixture nor shall the distributor be liable for any amount in excess of the original purchase price of the fixture. The distributor reserves the right to require the return, at purchaser’s expense, of the damaged fixture for repair or exchange before providing services under this Limited Warranty. If the distributor elects to replace the fixture, its obligation is limited to supplying a replacement unit or component part of comparable size and style, and does not include the cost of removal, installation or transportation, which must be borne by the purchaser. Replacement parts provided under this Limited Warranty are warranted for the remainder of the original warranty period applicable to the fixture, as if such parts were original components of that fixture. **WARRANTY LIMITATIONS** - THERE ARE NO WARRANTIES THAT EXTEND BEYOND THE DESCRIPTION ON THE FACE HERE OF IMPLIED WARRANTIES, INCLUDING THOSE OF MERCHANTABILITY OR FITNESS FOR A PARTICULAR PURPOSE, ARE EXPRESSLY DISCLAIMED. THE DISTRIBUTOR DISCLAIMS ANY AND ALL LIABILITY FOR SPECIAL, INCIDENTAL OR CONSEQUENTIAL DAMAGES. Some states do not allow limitations of incidental or consequential damages, so the above limitations and exclusions may not apply to you. In such states, the distributors’ liability shall be limited to the extent permitted by state law. ANY IMPLIED WARRANTIES ARISING BY WAY OF STATE LAW, INCLUDING ANY IMPLIED WARRANTY OF MERCHANTABILITY OR ANY IMPLIED WARRANTY OF FITNESS FOR A PARTICULAR PURPOSE, ARE LIMITED IN DURATION AND IN SCOPE OF COVERAGE TO THE TERMS OF THIS LIMITED WARRANTY, UNLESS A SHORTER PERIOD IS ALLOWED BY LAW.

**Effective July 1, 2023, due to an update in California law, the start date for product warranties will now be aligned with the date of delivery of the product. This change is for all Luxart products purchased on or after July 1, 2023 by California consumers. (California Legislative Information AB-2912)*

Need Help? Please call our toll-free customer service line at 1-225-295-4212 for additional assistance or service. If you have any questions or concerns regarding our warranty plan, please email: customerservice@1858brands.com, Monday-Friday 7:30 AM to 5:00 PM EST

