



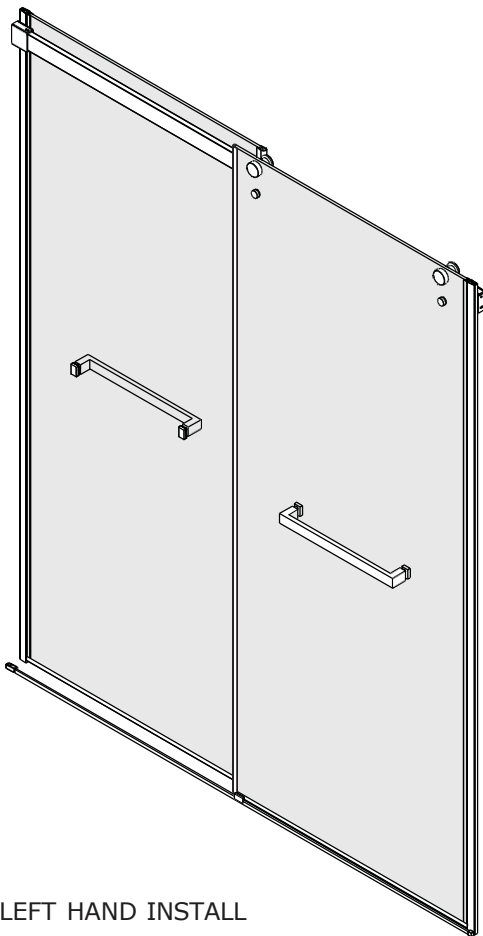
# Architectural-ARCDR

## DOUBLE ROLLER SHOWER & TUB DOOR

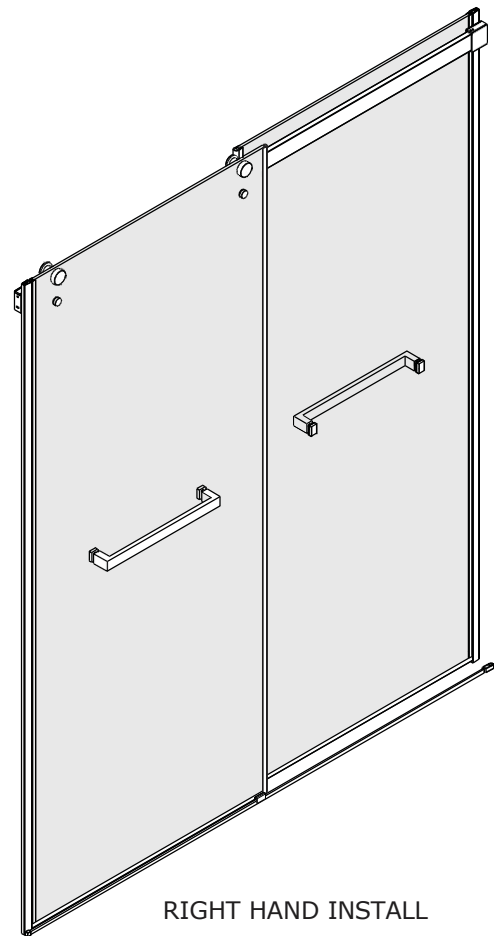
COPY THE MODEL NUMBER FOR YOUR RECORDS HERE #

### READ THE INSTRUCTIONS CAREFULLY

Familiarize yourself with all the parts as shown in the exploded view. The exploded view will also provide a helpful reference when relating to the location of the various parts and how they are mounted.



LEFT HAND INSTALL

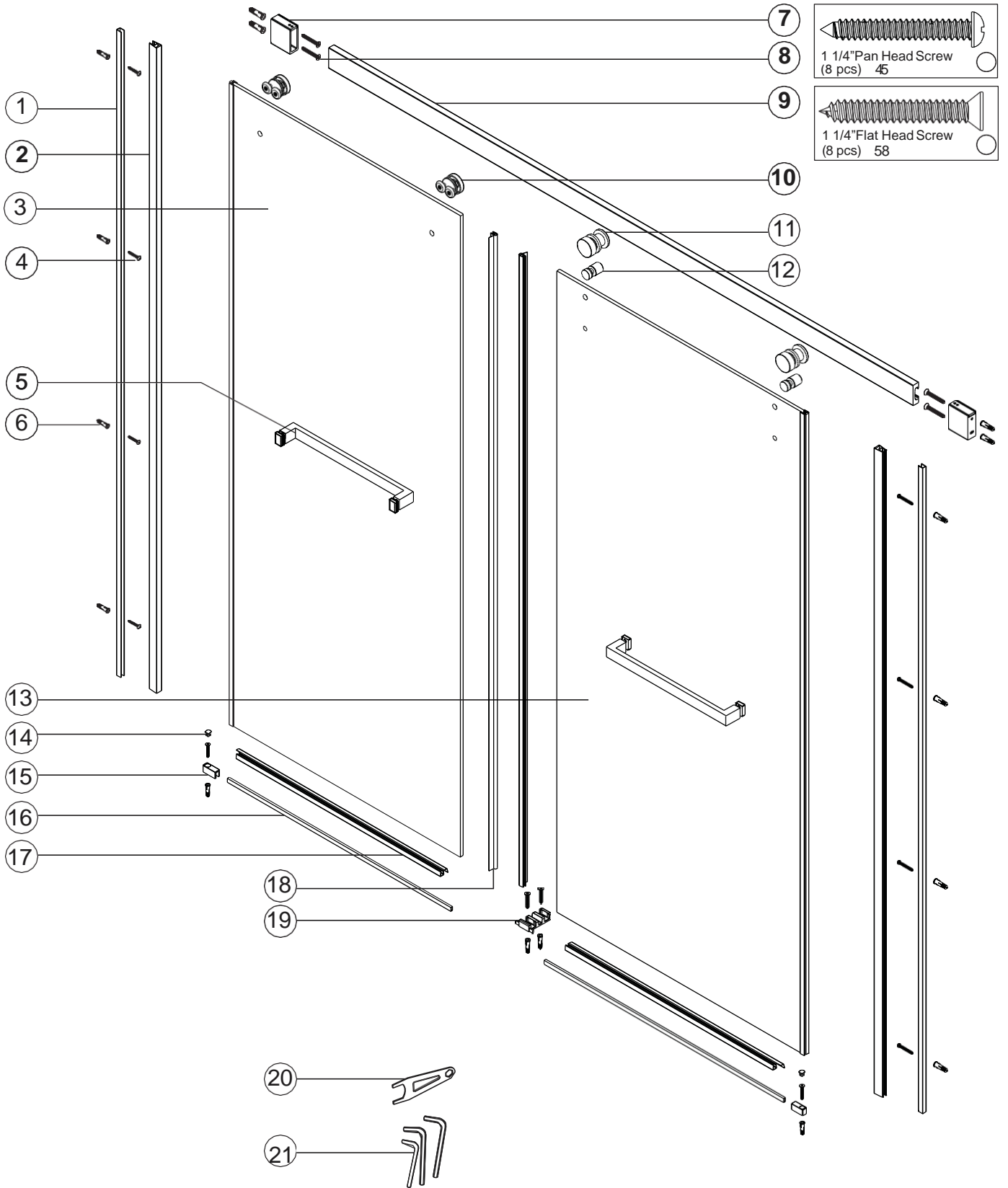


RIGHT HAND INSTALL

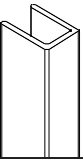
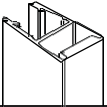
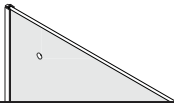

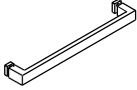
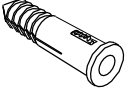
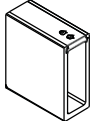
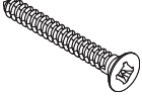
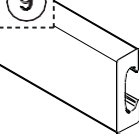

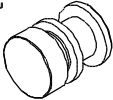
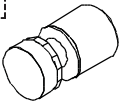
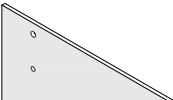

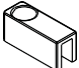
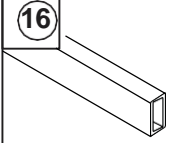
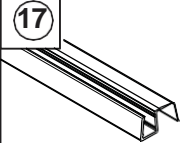
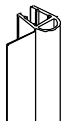
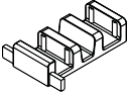
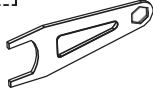

Need Help? Please call our toll-free customer service line at 1-225-295-4212 for additional assistance or service. If you have any questions or concerns regarding our warranty plan, please email: [customerservice@1858brands.com](mailto:customerservice@1858brands.com), Monday-Friday 7:30 AM to 5:00 PM EST

¿Necesita ayuda? Por favor, llame a nuestra línea gratuita de servicio al cliente al 1-225-295-4212 para asistencia o servicio adicional. Si tiene alguna pregunta o duda sobre nuestro plan de garantía, por favor envíe un correo electrónico: De lunes a viernes, de 7:30 a 17:00 (hora del este), [customerservice@1858brands.com](mailto:customerservice@1858brands.com)



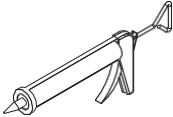
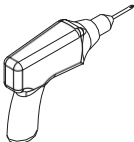
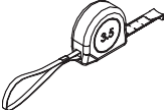
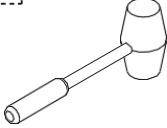
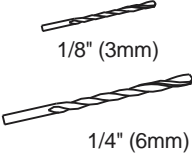

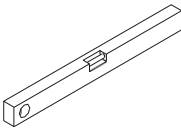
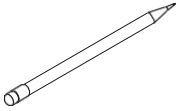
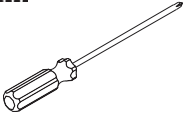
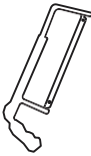




# PARTS LIST

					
Aluminum Wall Channel (2 pcs)	180° Magnet Seal (2 pcs)	Inner Door (1 pc)	1 1/4" Pan Head Screw (8 pcs)	Towel Bar (2 pcs)	Wall Anchor (16 pcs)
					
Rail/Wall Bracket Assembly (2 pcs)	1 1/4" Flat Head Screw (8 pcs)	Top Rail (1 pc)	Double Roller (2 pcs)	Roller (2 pcs)	Anti-Jumper (2 pcs)
					
Outer Door (1 pc)	Screw Cover (2 pcs)	Threshold Cover (2 pcs)	Threshold (2 pcs)	Threshold gasket (2 pcs)	Water-Retaining Gasket (2 pcs)
					
Door Guide (1 pc)	Spanner (2 pcs)	Allen Key (3 pcs)			

**⚠ WARNING: Safety glasses should always be worn when working with tempered glass.**

# RECOMMENDED TOOLS

					
SILICONE	DRILL	TAPE MEASURE	RUBBER MALLET	DRILL BITS	KNIFE
					
LEVEL	PENCIL	SCREW DRIVERS	HANDSAW	SAFETY GLASSES	CUTTING SNIPS



---

## CHOOSE WHETHER YOU ARE INSTALLING LEFT OR RIGHT SHOWER DOOR

---

Determine which assembly configuration you need to follow based on the location of the shower head as viewed from the outside of the shower. Left hand shower head must use Left Hand Assembly and right hand shower head must use Right Hand Assembly to insure a water tight finished installation.

**IMPORTANT NOTE: PROPER INSTALLATION REQUIRES A MINIMUM 2<sup>3</sup>/<sub>4</sub>" WIDE FLAT FRONT LEDGE**

---

### INSTALLATION PROCEDURE / STEP 1

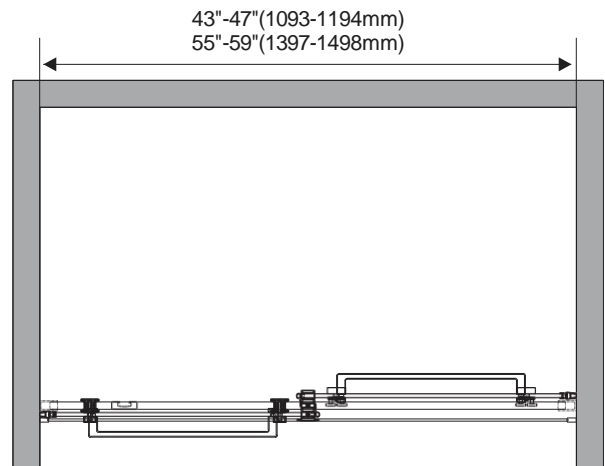
---

#### **1** INSTALLATION MEASUREMENT

##### LEFT HAND ASSEMBLY



##### RIGHT HAND ASSEMBLY

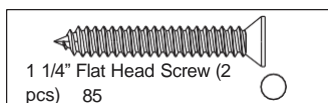
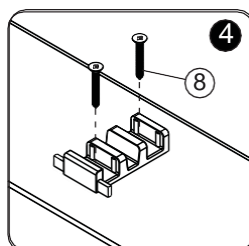
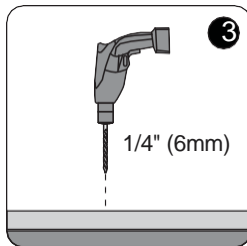
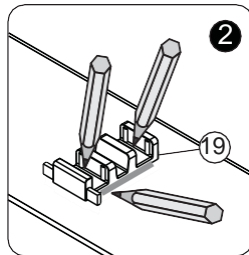
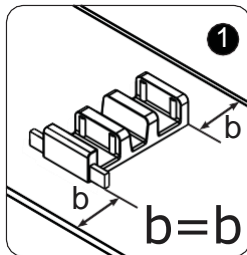
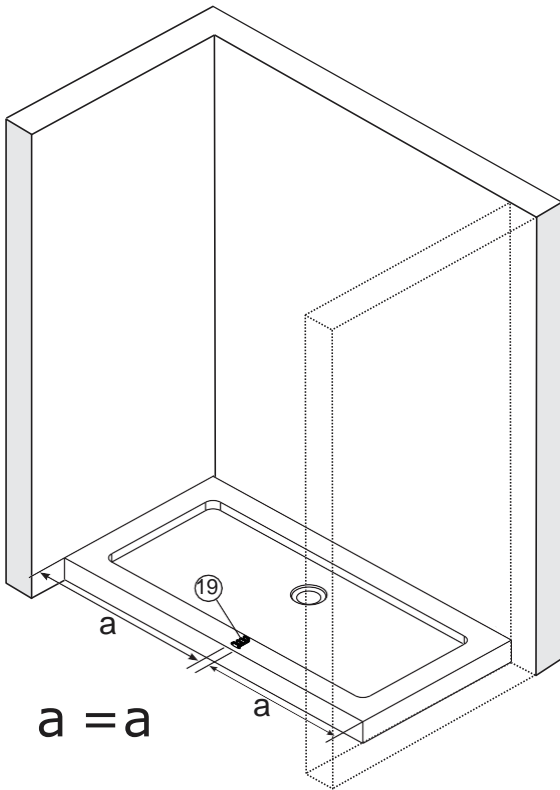


# INSTALLATION PROCEDURE / STEP 2

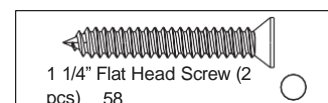
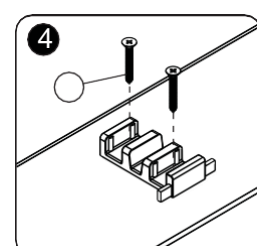
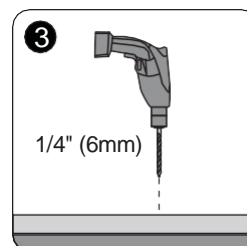
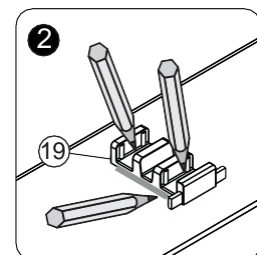
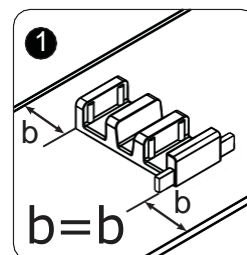
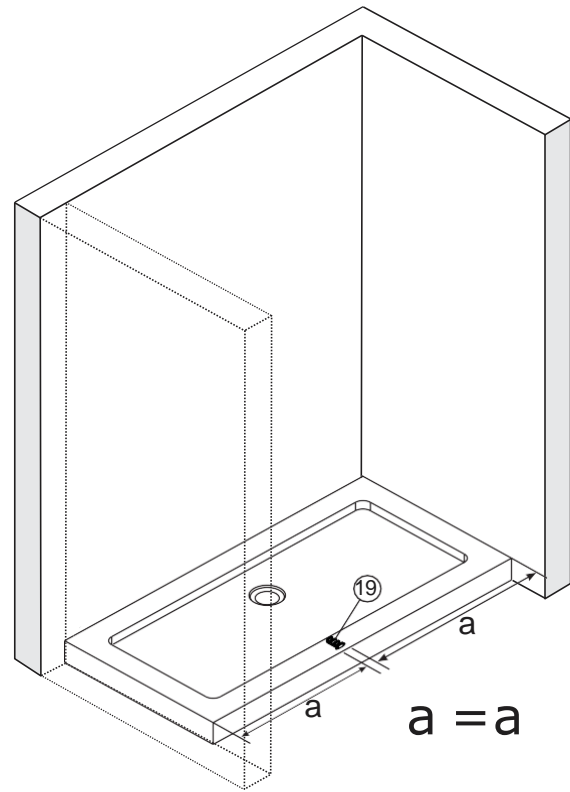
- 2** 1. Install door guide (19) at the middle of tray.
2. Position door guide as shown in the drawings and mark holes making certain it is positioned straight and square.
3. Drill hole with 1/8" (3mm) drill bit.
4. Fix door guide (19) on tray with 1 1/4" flat head screw (8).

**Note:** Shower or tub threshold needs to have a flat surface of 2 3/4".

## LEFT HAND ASSEMBLY



## RIGHT HAND ASSEMBLY

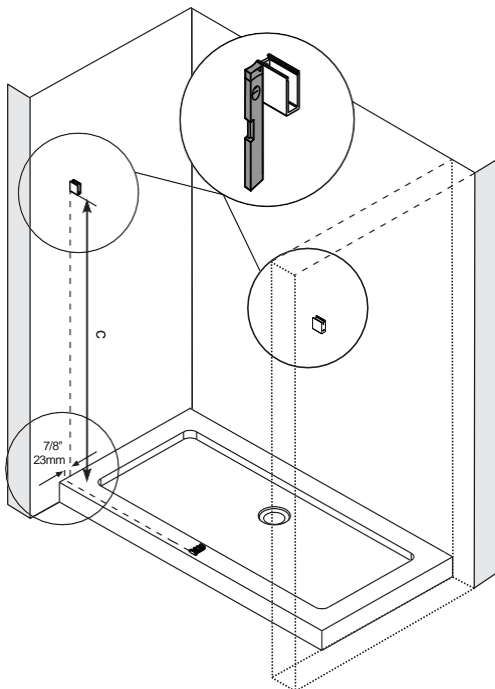


## INSTALLATION PROCEDURE / STEP 3

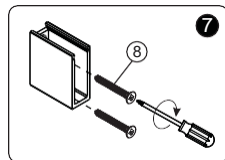
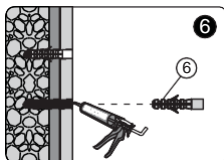
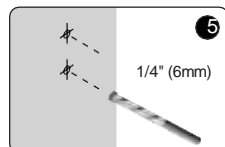
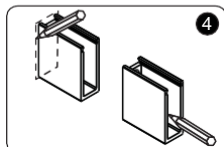
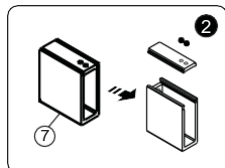
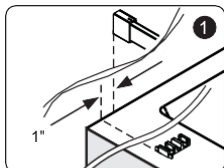
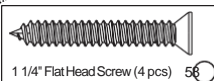
- 3**
1. Outside distance between rail wall bracket assembly (7) and door guide(19) should be 1".
  2. Remove top plates from both rail wall bracket assemblies (7).
  3. Measure straight up the wall to a point 3 1/2" less than the overall height of the enclosure (Distance C in the table below) and mark it.
  4. Position the rail wall bracket (7) so that the front bottom corner of the bracket is at the point shown in the drawing below. (3 1/2" below overall height and 7/8" behind the front edge of the door guide). Make certain the bracket is level and square before tracing the bracket and marking the screw holes.
  5. Drill hole with 1/4" drill bit.
  6. Glue a little silicone into the hole, then insert wall anchor (6).
  7. Fix rail wall bracket against the wall with flat head screw 4x 11/4"(8).

**HINT:** Before proceeding to Step 4, to ease the installation process, it is recommended that you set the inner glass panel against the back wall of the shower. Be sure to first put down a towel or piece of cardboard as a cushion to protect the glass and your shower floor from possible damage and to position the glass so that the H2OFF® protectant is on the side of the glass that is against the back wall.

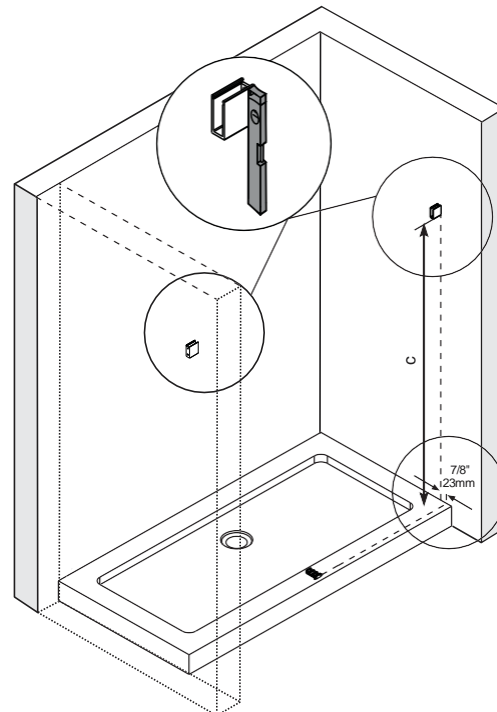
LEFT HAND ASSEMBLY



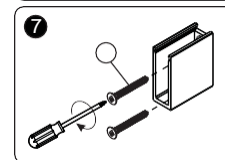
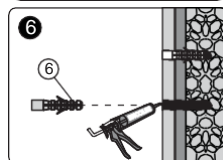
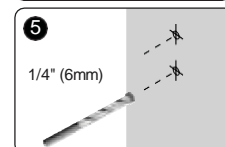
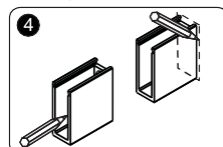
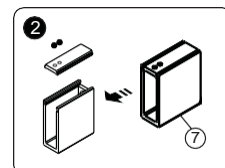
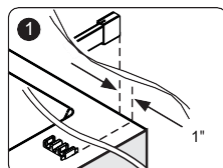
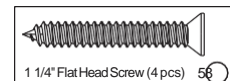
Overall Height	Distance C	
76"	1840mm	72 1/2"
63"	1510mm	59 1/2"



RIGHT HAND ASSEMBLY



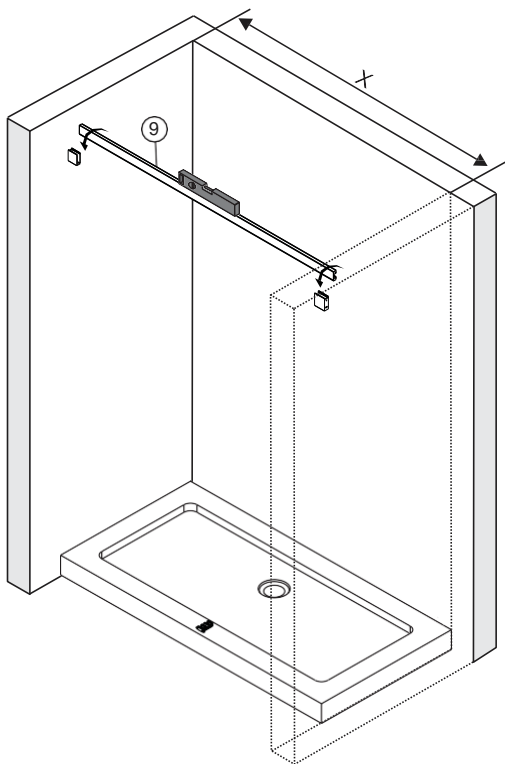
Overall Height	Distance C	
76"	1840mm	72 1/2"
63"	1510mm	59 1/2"



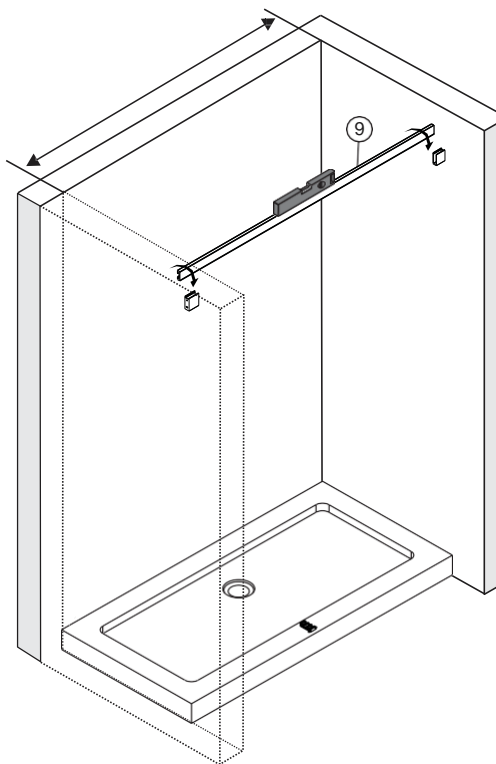
# INSTALLATION PROCEDURE / STEP 4



- 4**
- Depending on your overall opening, you may not have to cut your top rail. Use the table below to determine your situation and cut the rail as shown in the diagram if necessary.
  - Insert top rail into brackets with the slot to the inside of the shower and use a level to ensure top rail is level, adjusting the brackets if necessary. Adjust the top rail so that the gap at both ends are approximately the same then slide the bracket top plates back into position.
  - Use the allen keys provided to tighten 2 top and 1 bottom set screws on each end of brackets to firmly anchor the top rail in place. Use caution not to over-tighten while insuring the top rail does not move.

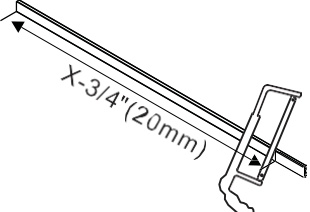
## LEFT HAND ASSEMBLY





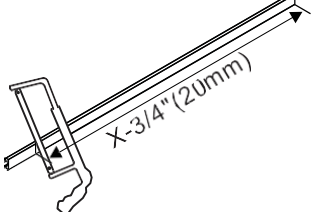
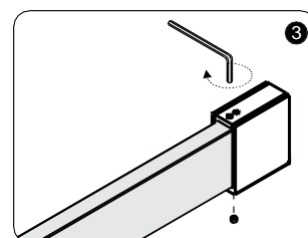
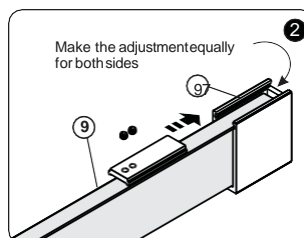
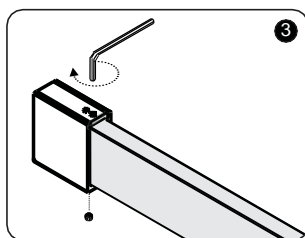
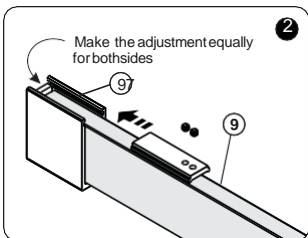
## RIGHT HAND ASSEMBLY



STEP4	INSTALLATION DIMENSION
DO NOT CUT 	45 5/8"-47"(1158-1194mm)
	57 1/2"-59"(1462-1498mm)
CUT 	43"-45 5/8"(1093-1158mm)
	55"-57 1/2"(1397-1462mm)



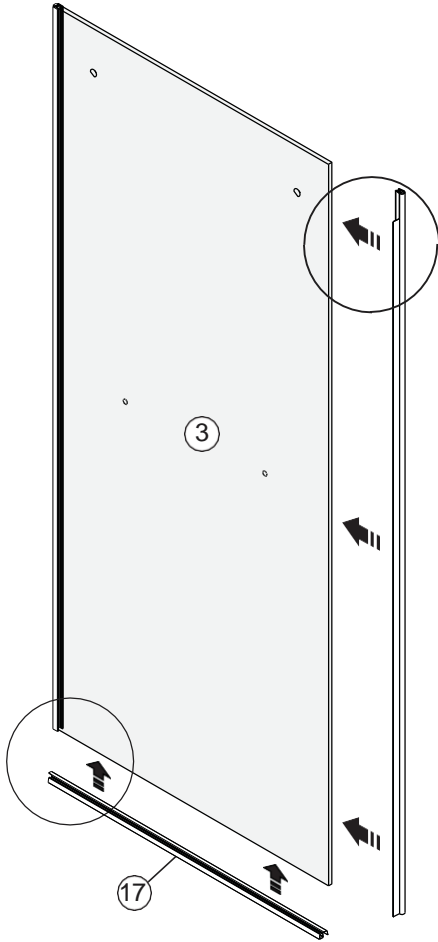
STEP4	INSTALLATION DIMENSION
DO NOT CUT 	45 5/8"-47"(1158-1194mm)
	57 1/2"-59"(1462-1498mm)
CUT 	43"-45 5/8"(1093-1158mm)
	55"-57 1/2"(1397-1462mm)

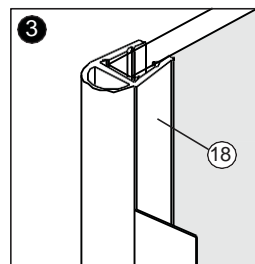
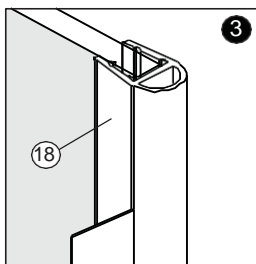
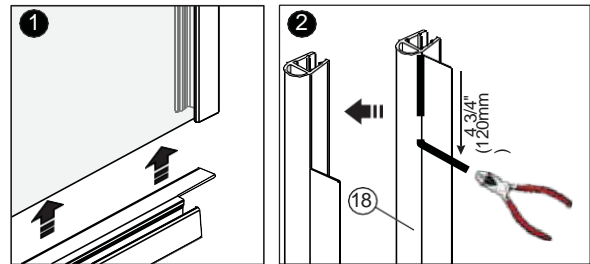
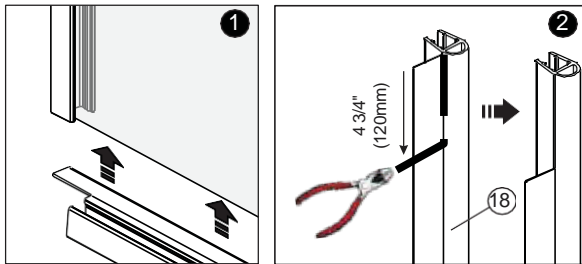
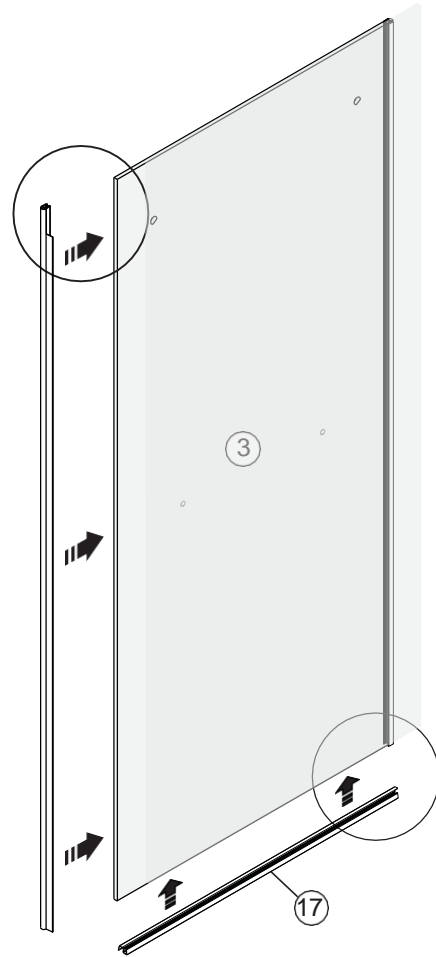
# INSTALLATION PROCEDURE / STEP 5

- 5** 1. Install threshold gasket (17) on the bottom of inner door panel (3).  
2. Trim water-retaining gasket (18) down 4 3/4" from the top as shown in the diagram below.  
3. Install water-retaining gasket (18) on inner glass.

## LEFT HAND ASSEMBLY



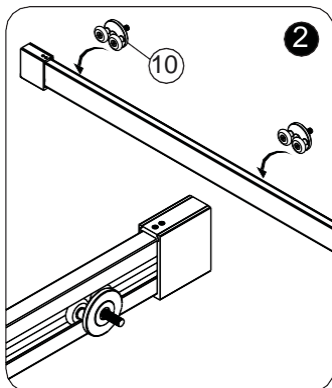
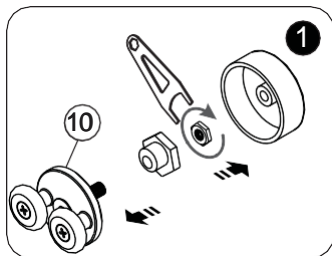
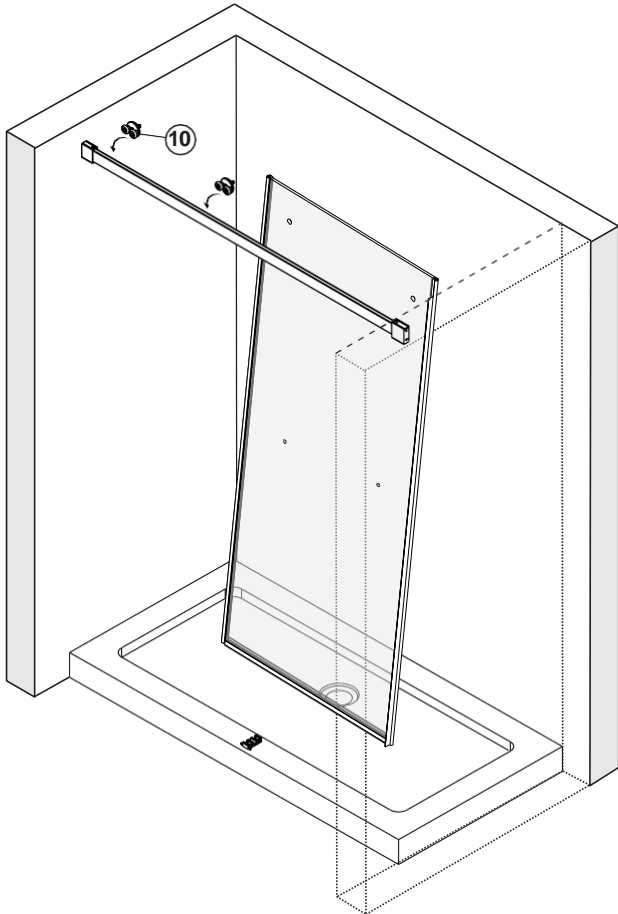
## RIGHT HAND ASSEMBLY



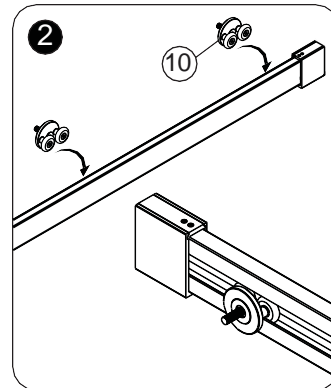
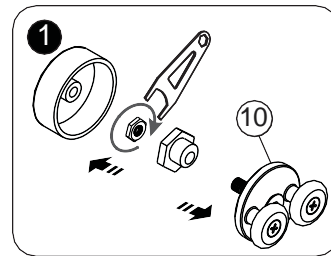
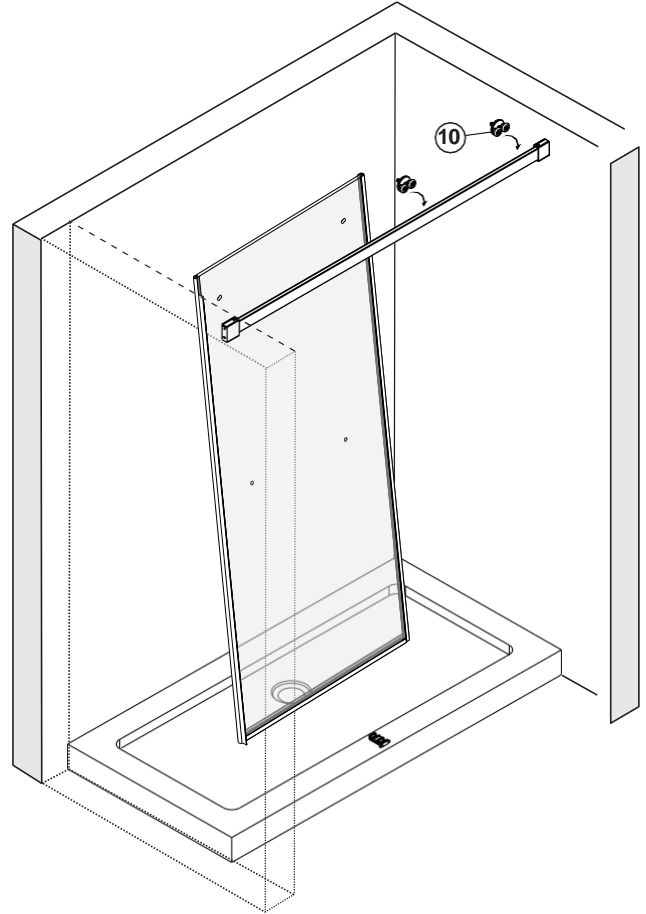


- 6** 1. Use the enclosed spanner to disassemble both double rollers (10) and then slide the rollers into the slot in the back of the top rail (9).

LEFT HAND ASSEMBLY



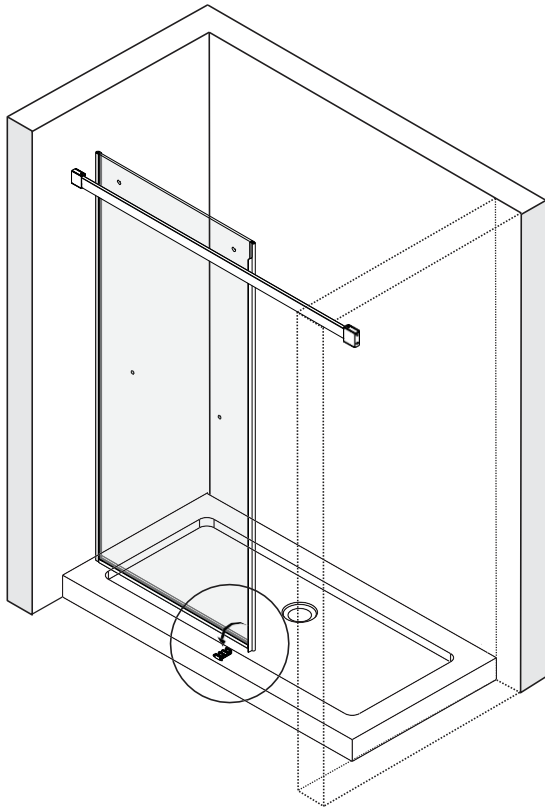
RIGHT HAND ASSEMBLY



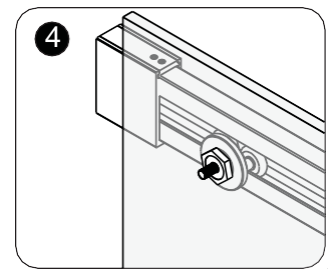
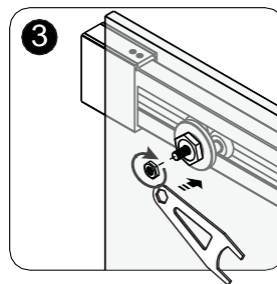
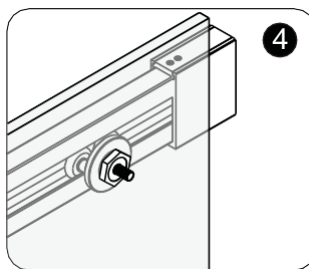
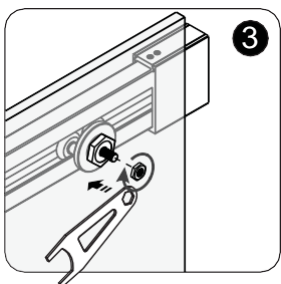
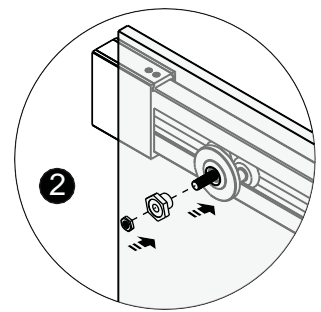
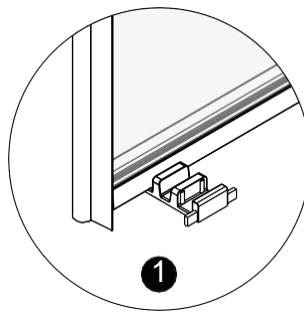
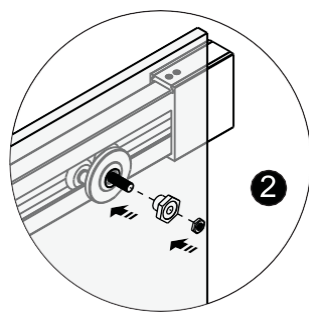
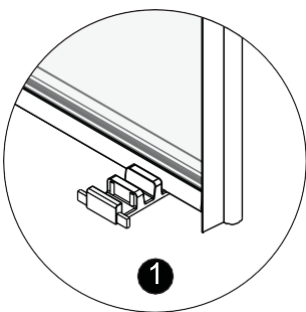
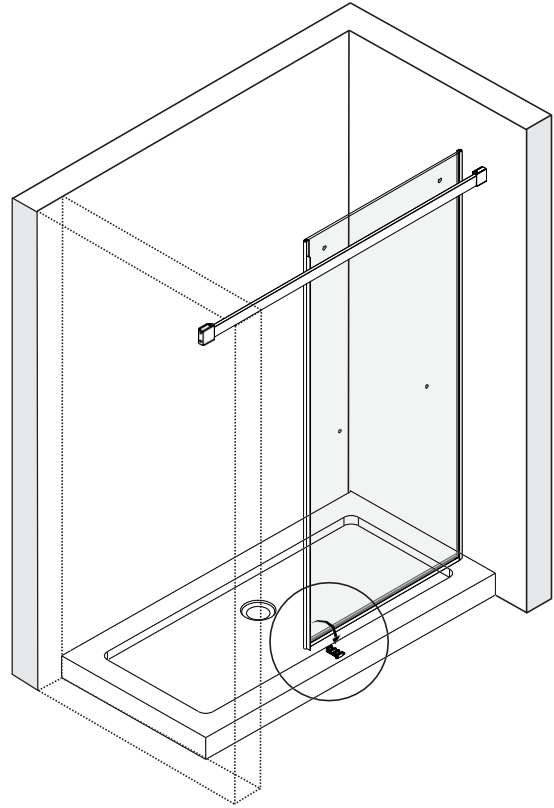
**7**

1. While tilting inner glass door panel (3) back into the shower slightly, insert it into the inner slot of the bottom panel guide (19).
2. Insert the hexagonal nuts into the holes in the top of the inner glass panel (3), line them up with the threaded rod in the double rollers and (using the spanner provided) secure in place. It is strongly recommended that a second person assist with this step.

LEFT HAND ASSEMBLY



RIGHT HAND ASSEMBLY

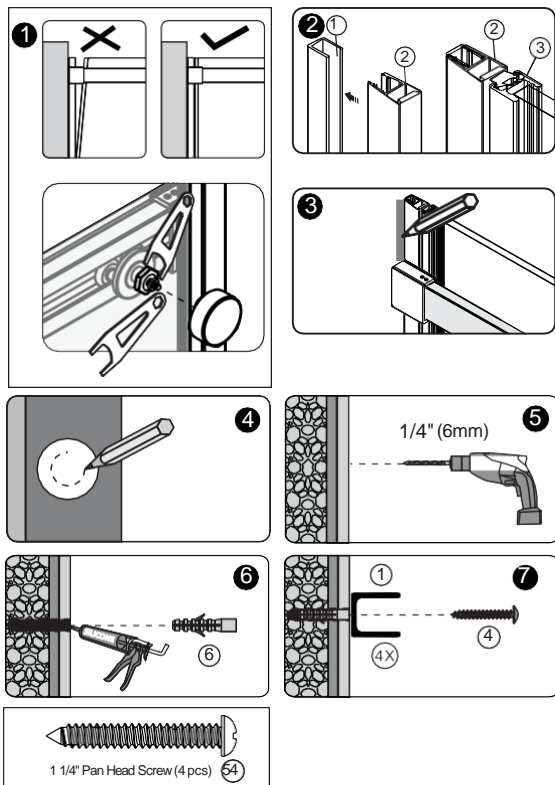
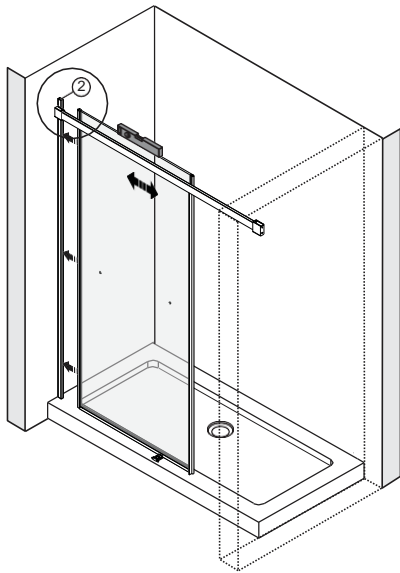


## INSTALLATION PROCEDURE / STEP 8

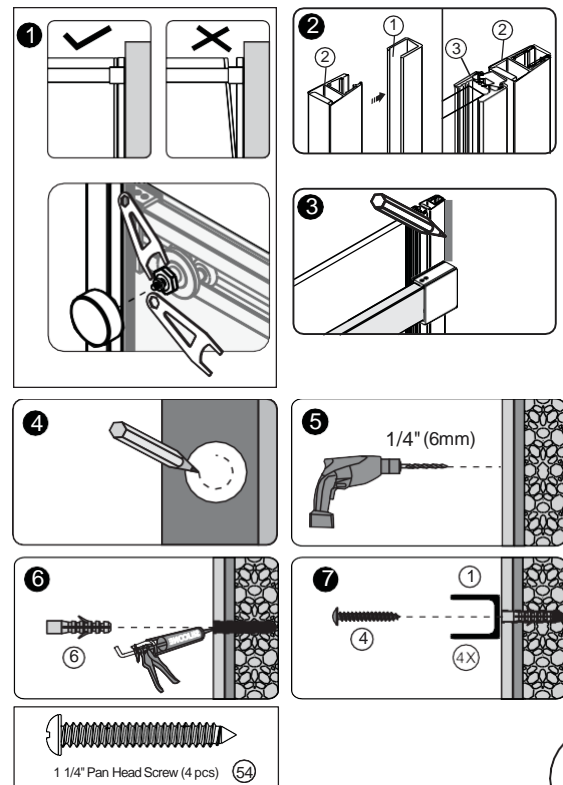
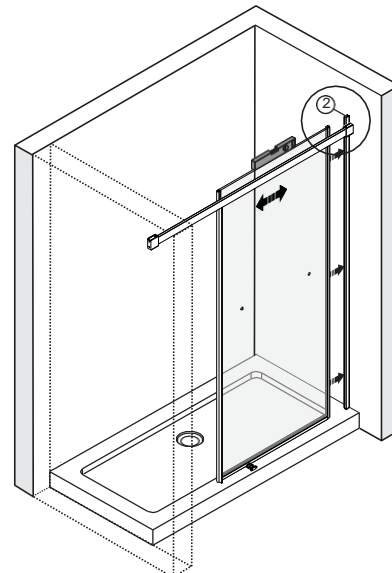
8

1. Adjust the rollers so that the panel meets the wall evenly from top to bottom.
2. Attach 180° magnet seal (2) to inner door (3) magnetic seal using the magnetic attraction (if they repel, flip 180° magnet seal (2) upside down) and slide on the aluminum wall channel (1) temporarily.
3. Slide the panel and magnetic wall seal assembly against the wall and mark the position.
4. Disengage the aluminum wall channel (1), place it in position on the wall and mark the hole locations.
5. Drill holes with 1/4" (6 mm) drill bit.
6. Glue a little silicone into the hole, then insert wall anchor.
7. Attach the aluminum wall channel (1) to the wall with 1 1/4" pan head screws (4)

### LEFT HAND ASSEMBLY



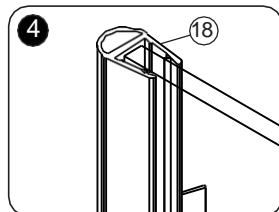
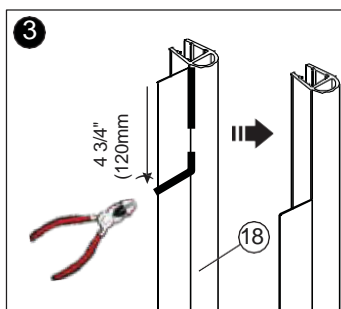
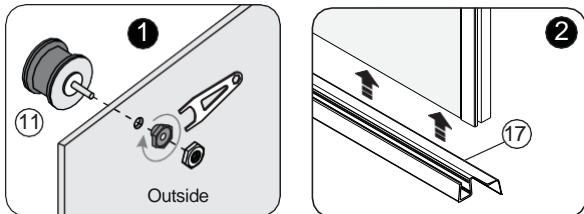
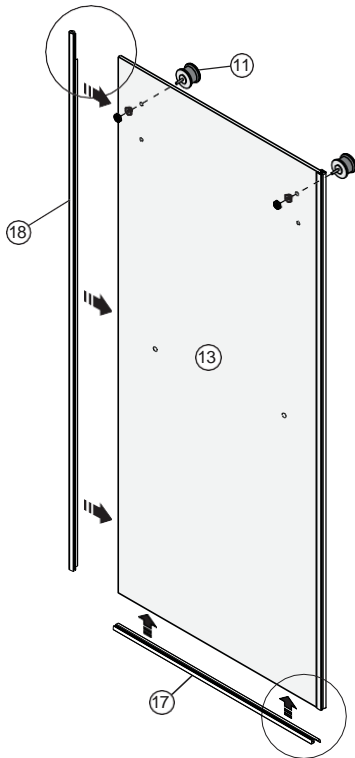
### RIGHT HAND ASSEMBLY



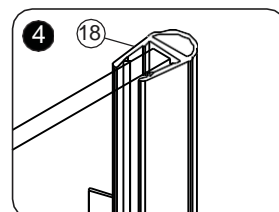
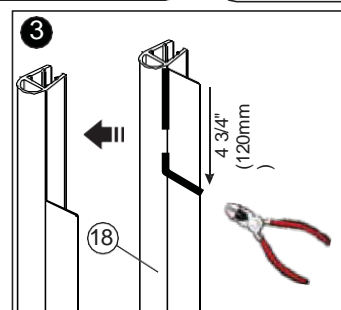
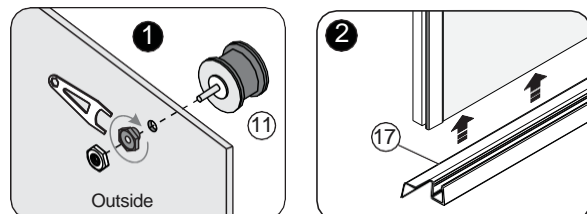
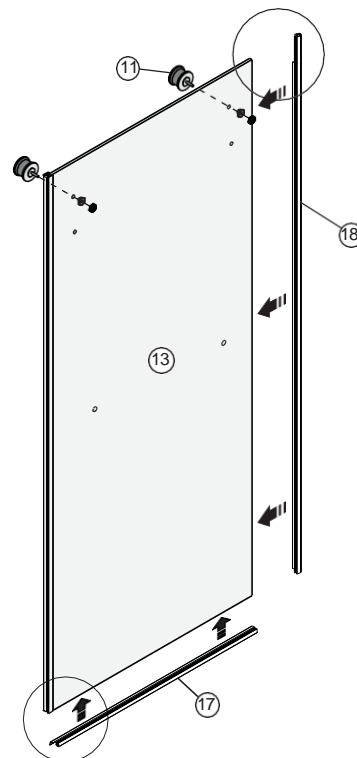
# INSTALLATION PROCEDURE / STEP 9

- 9**
1. Install roller (11) on outer door (13), then tighten with spanner.
  2. Install threshold gasket (17) at the bottom of outer door (13).
  3. Cut 4 3/4" (120mm) notch in top of water retaining gasket (18) as shown in drawing #3.
  4. Install water-retaining gasket (18) on outer glass (13).

## LEFT HAND ASSEMBLY

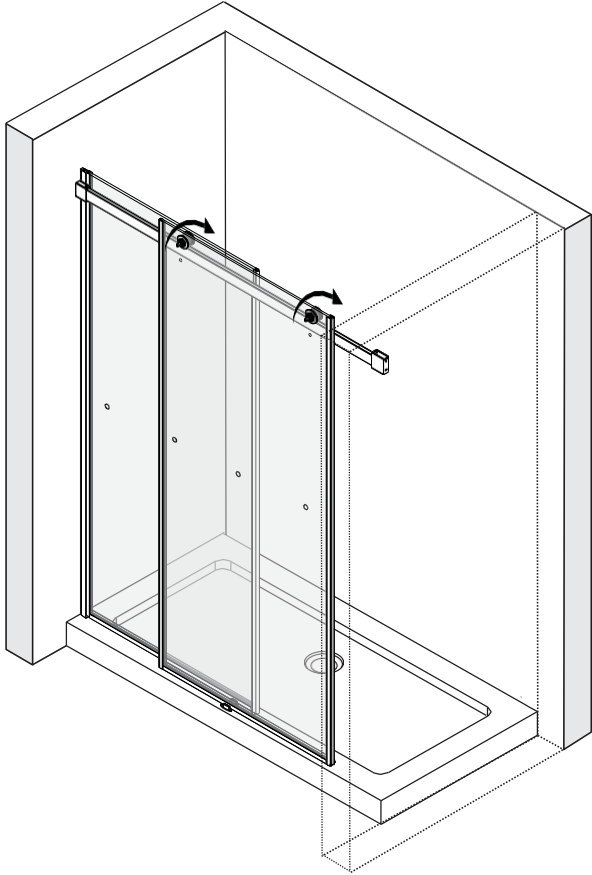


## RIGHT HAND ASSEMBLY

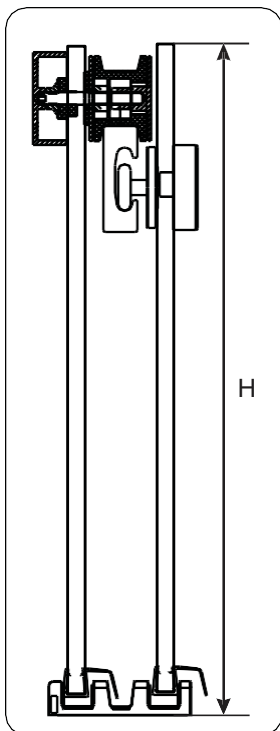
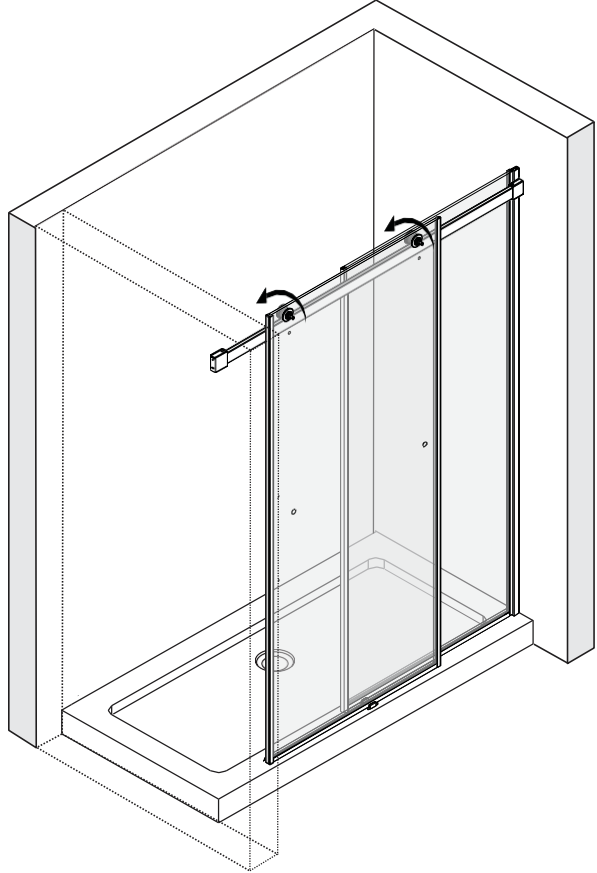


- 10** Set outer door (13) on top rail taking care to slide the panel bottom into the outer channel of the bottom panel guide (19).

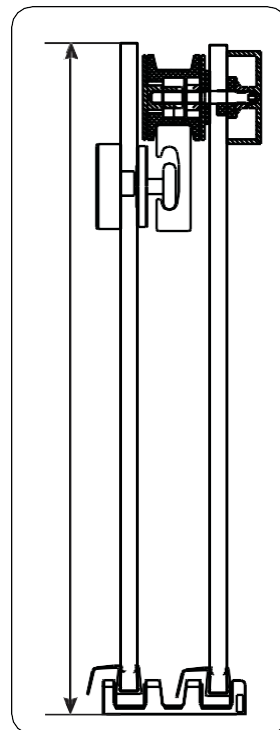
LEFT HAND ASSEMBLY



RIGHT HAND ASSEMBLY



H H=Product Height



H=Product Height

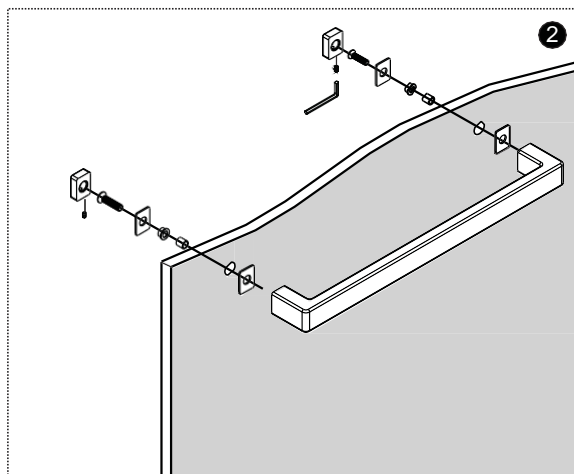
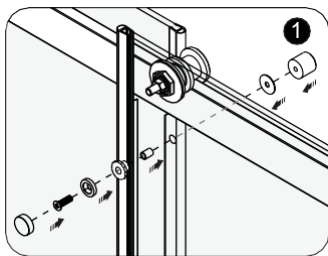
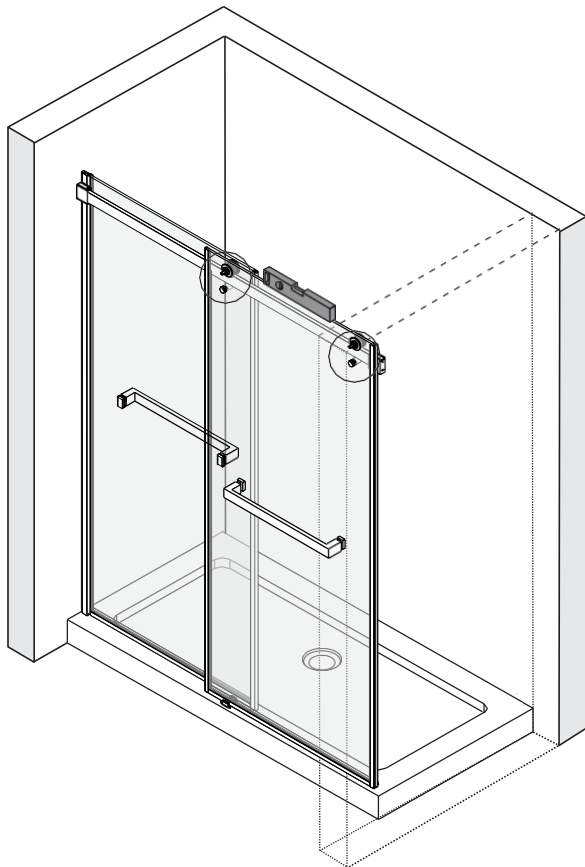


# INSTALLATION PROCEDURE / STEP 11

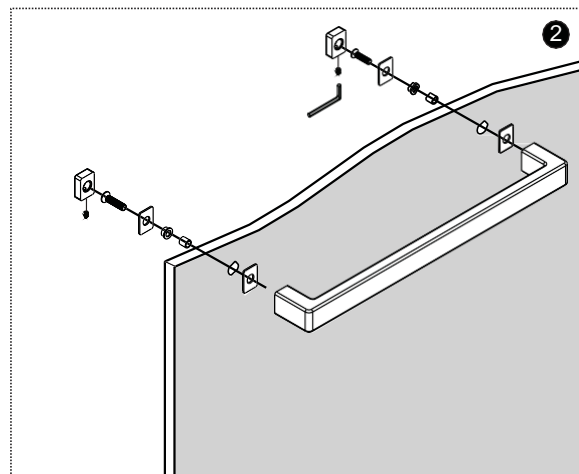
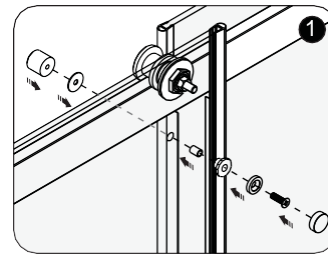
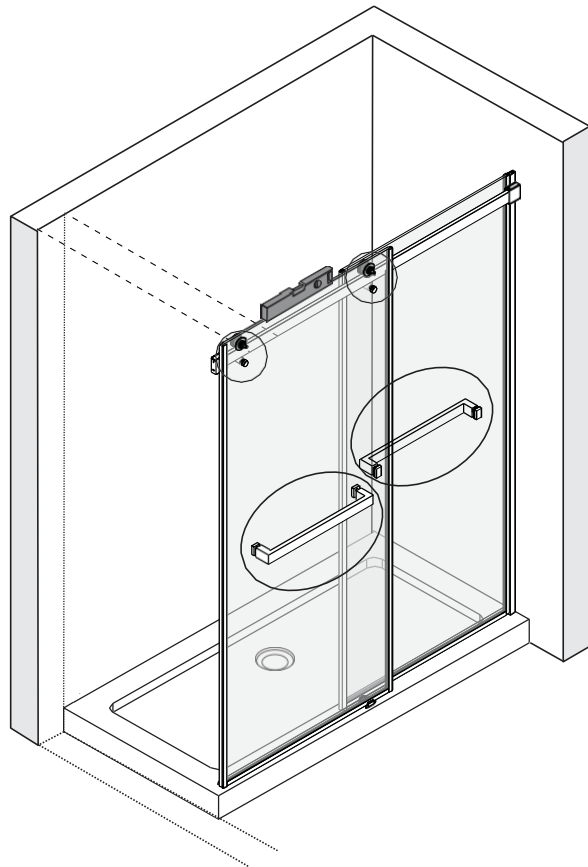
**11**

1. Use a level on the top of outer door (13) to ensure it is level and then install anti-jumper (12).
2. Install towel bars (5) on inner and outer door panels.

## LEFT HAND ASSEMBLY

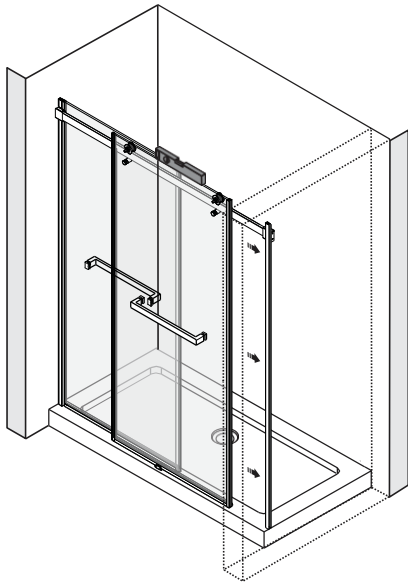


## RIGHT HAND ASSEMBLY

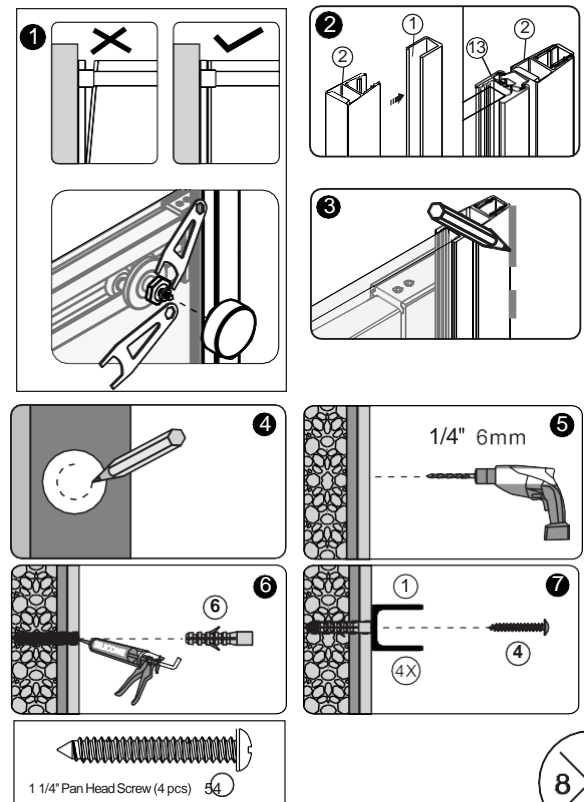
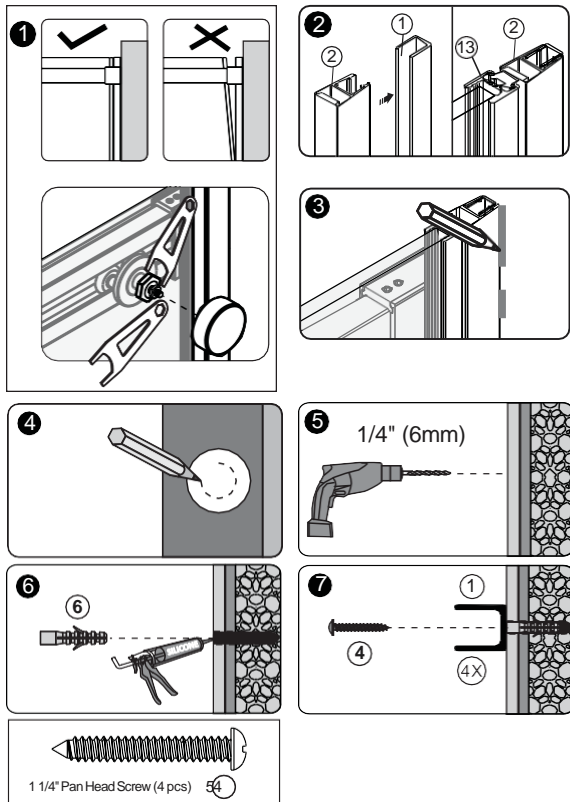
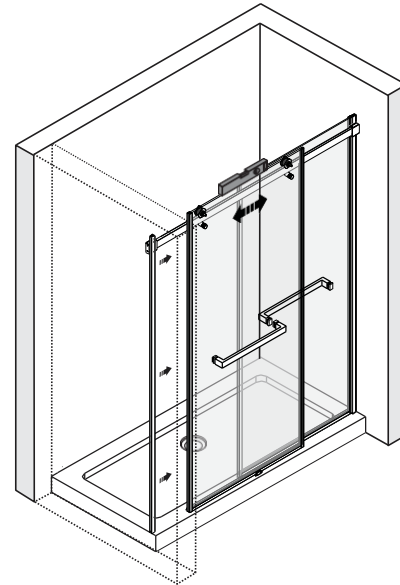


- 12**
1. Adjust the rollers so that the panel meets the wall evenly from top to bottom.
  2. Attach 180° magnet seal (2) to outer door (13) magnetic seal using the magnetic attraction (if they repel, flip 180° magnet seal (2) upside down) and slide on the aluminum wall channel (1) temporarily.
  3. Slide the panel and magnetic wall seal assembly against the wall and mark the position.
  4. Disengage the aluminum wall channel (1), place it in position on the wall and mark the hole locations.
  5. Drill holes with 1/4" (6 mm) drill bit.
  6. Glue a little silicone into the hole, then insert wall anchor.
  7. Attach the aluminum wall channel (1) to the wall with 1 1/4" pan head screw (4).

LEFT HAND ASSEMBLY

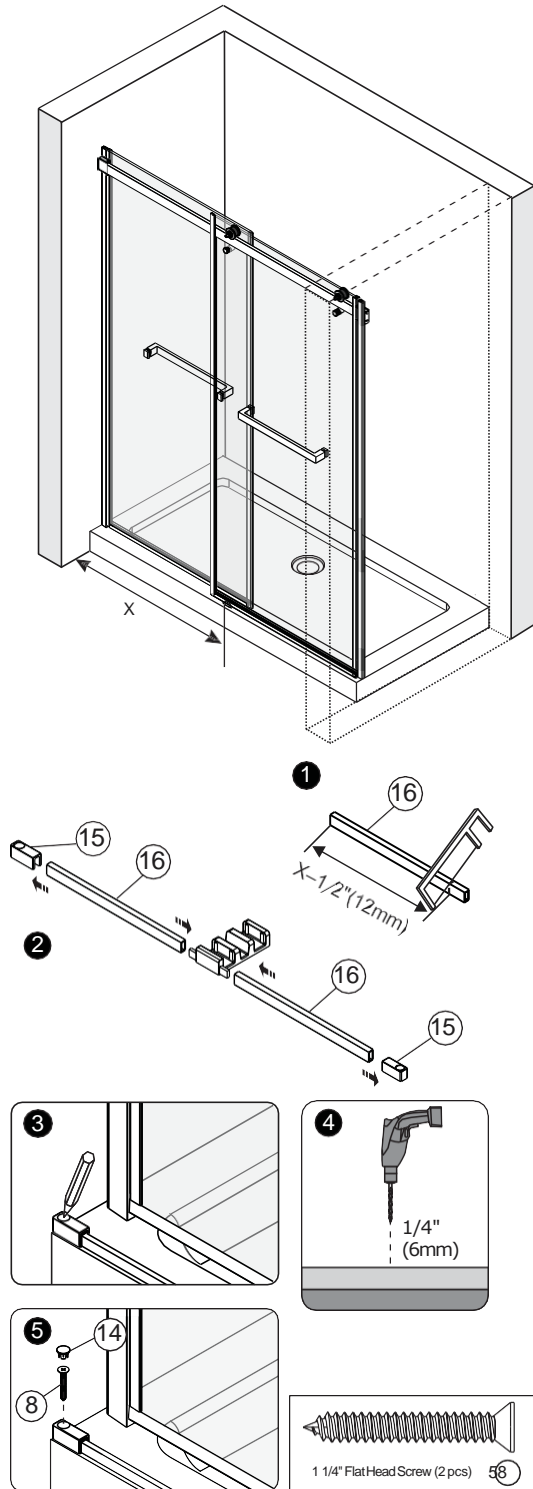


RIGHT HAND ASSEMBLY

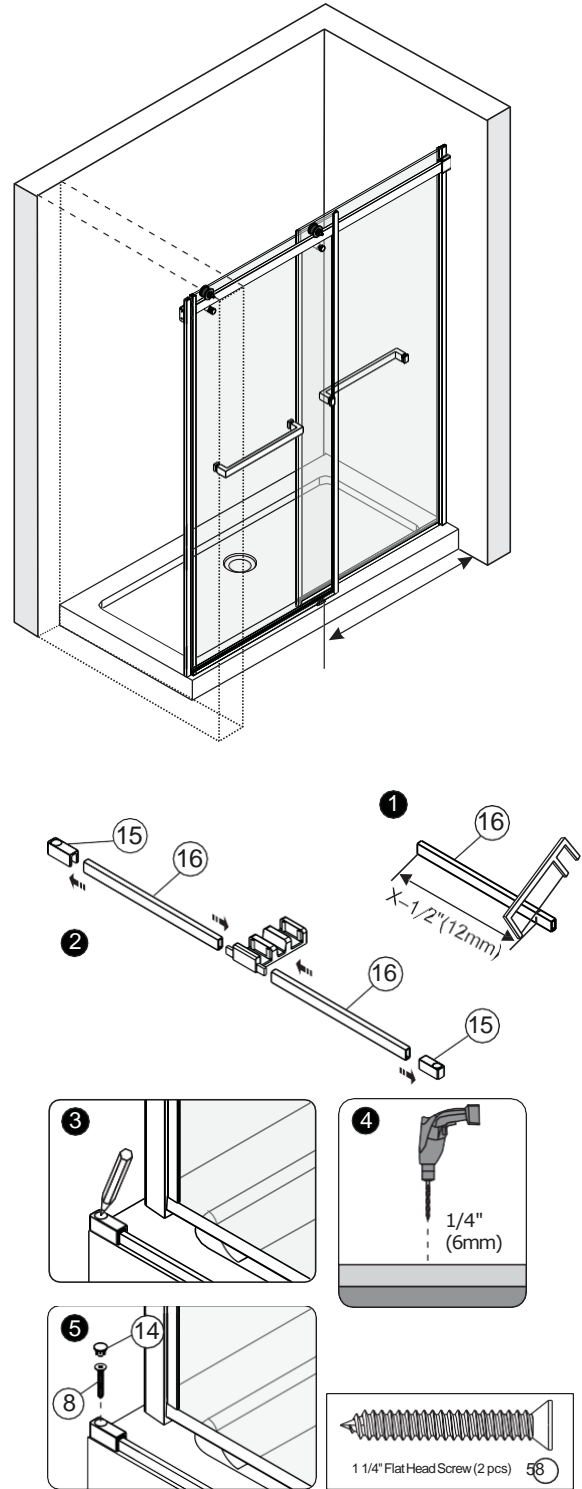


- 13**
1. Measure distance from wall on each side to main body of the panel guide. Deduct 1/2" from this dimension and cut threshold (16) to size. Repeat this process for the other side.
  2. Install threshold (16) and threshold cover (15).
  3. Mark the hole locations for threshold cover mounting screws.
  4. Drill holes with 1/8" (3 mm) drill bit.
  5. Attach threshold covers with 1/4" flat head screws (8).

LEFT HAND ASSEMBLY



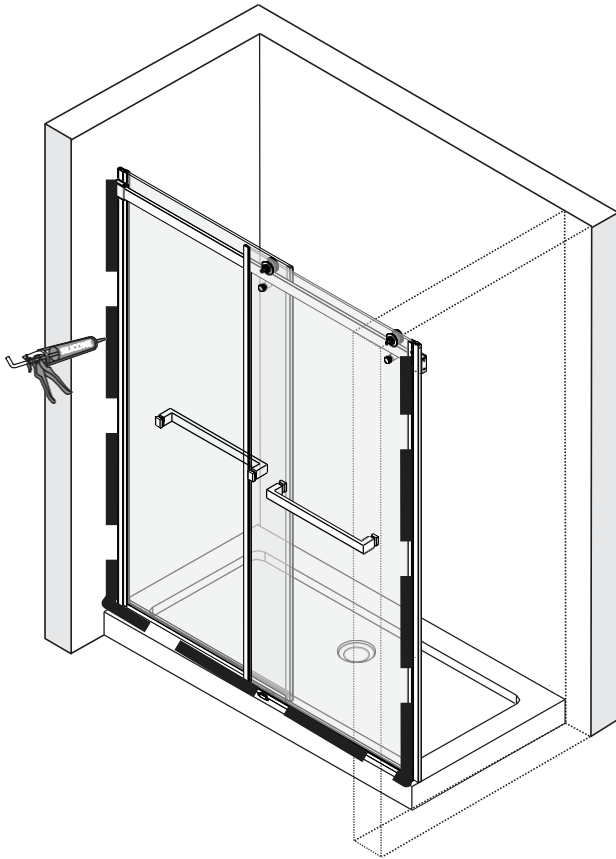
RIGHT HAND ASSEMBLY



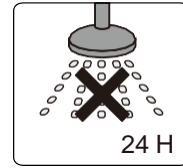
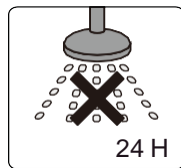
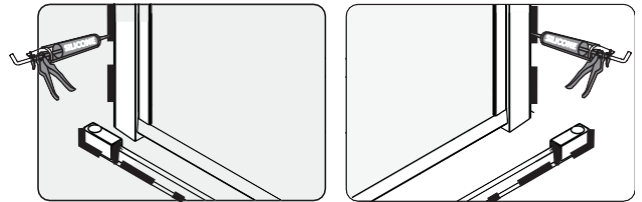
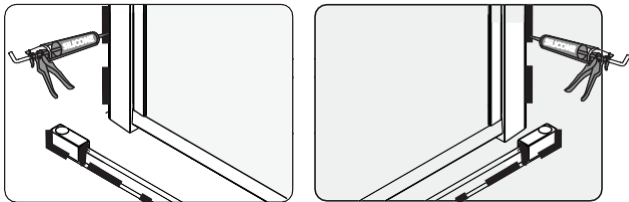
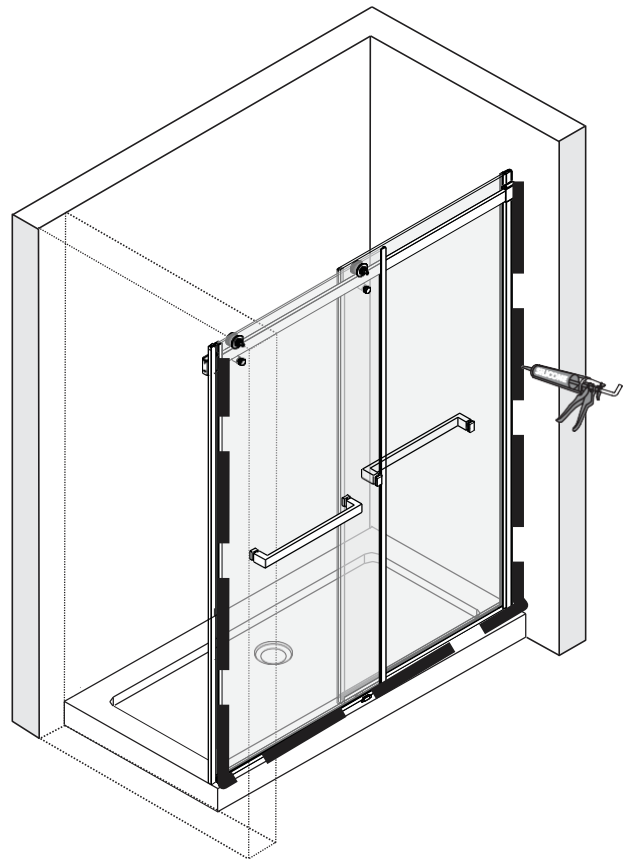


- 14** Caulk the entire outside edge where the aluminum wall channels (1), threshold (16) and panel guide (19) meet the walls and threshold and then keep the entire area dry for a minimum of 24 hours while the caulk cures.

LEFT HAND ASSEMBLY



RIGHT HAND ASSEMBLY



**FINAL STEP:** Caulk the inside sides of the shower door frame to seal. Keep the entire area dry for a minimum of 24 hours.

**FINAL STEP:** Caulk the inside sides of the shower door frame to seal. Keep the entire area dry for a minimum of 24 hours. Your installation is now complete.



# ATTENTION CONSUMER:

## IMPORTANT WARRANTY INFORMATION

PLEASE DO NOT DISCARD

Thank you for your purchase.

In order to be eligible for product warranty, please register your door on our website within two (2) weeks of installation.

Go to:

<https://www.luxartcollection.com/pages/register-warranty>

Or scan the QR Code below and follow the instructions.



For any questions or comments  
about your purchase,  
please contact our Customer Service at:  
[customerservice@1858brands.com](mailto:customerservice@1858brands.com)



## WARRANTY

---

The distributor warrants to the original purchaser that this fixture will be free of manufacturing defects, which affect its performance as a bathing or showering fixture, under the following conditions and subject to the limitations contained in the “Remedies” and “Warranty Limitations” sections. The Limited Warranty applies for 5 years from the date of purchase if the fixture is used in a residential owner-occupied building for non-commercial purposes or for 2 years from the date of purchase if it is used in any other building, including any building used for rental, commercial or business purposes. This Limited Warranty is void if the fixture is not installed in accordance with the installation instructions supplied by the distributor, or local building codes and ordinances, or if the care and cleaning instructions supplied by the distributor are not followed. This Limited Warranty is also void if the fixture is moved from the location of its initial installation or is subjected to accident, abuse, or misuse. The Limited Warranty excludes normal wear and tear. This Limited Warranty shall be void unless any failure or non-conformance is discovered before the expiration of this warranty, and is reported to the distributor, in writing, accompanied by the original proof of purchase, within 30 days of discovery.

**REMEDIES** - The original purchaser’s remedy under this Limited Warranty is limited to the repair, replacement or refund of the purchase price of the fixture, at the distributor’s sole option, of any part of the fixture that has failed or does not conform to the manufacturer’s specifications, limited to, damage to or loss of use of the building or its contents, arising out of any defect in the fixture nor shall the distributor be liable for any amount in excess of the original purchase price of the fixture. The distributor reserves the right to require the return, at purchaser’s expense, of the damaged fixture for repair or exchange before providing services under this Limited Warranty. If the distributor elects to replace the fixture, its obligation is limited to supplying a replacement unit or component part of comparable size and style, and does not include the cost of removal, installation or transportation, which must be borne by the purchaser. Replacement parts provided under this Limited Warranty are warranted for the remainder of the original warranty period applicable to the fixture, as if such parts were original components of that fixture.

**WARRANTY LIMITATIONS** - THERE ARE NO WARRANTIES THAT EXTEND BEYOND THE DESCRIPTION ON THE FACE HERE OF IMPLIED WARRANTIES, INCLUDING THOSE OF MERCHANTABILITY OR FITNESS FOR A PARTICULAR PURPOSE, ARE EXPRESSLY DISCLAIMED. THE DISTRIBUTOR DISCLAIMS ANY AND ALL LIABILITY FOR SPECIAL, INCIDENTAL OR CONSEQUENTIAL DAMAGES. Some states do not allow limitations of incidental or consequential damages, so the above limitations and exclusions may not apply to you. In such states, the distributors’ liability shall be limited to the extent permitted by state law. ANY IMPLIED WARRANTIES ARISING BY WAY OF STATE LAW, INCLUDING ANY IMPLIED WARRANTY OF MERCHANTABILITY OR ANY IMPLIED WARRANTY OF FITNESS FOR A PARTICULAR PURPOSE, ARE LIMITED IN DURATION AND IN SCOPE OF COVERAGE TO THE TERMS OF THIS LIMITED WARRANTY, UNLESS A SHORTER PERIOD IS ALLOWED BY LAW.

*\*Effective July 1, 2023, due to an update in California law, the start date for product warranties will now be aligned with the date of delivery of the product. This change is for all Luxart products purchased on or after July 1, 2023 by California consumers. (California Legislative Information AB-2912)*



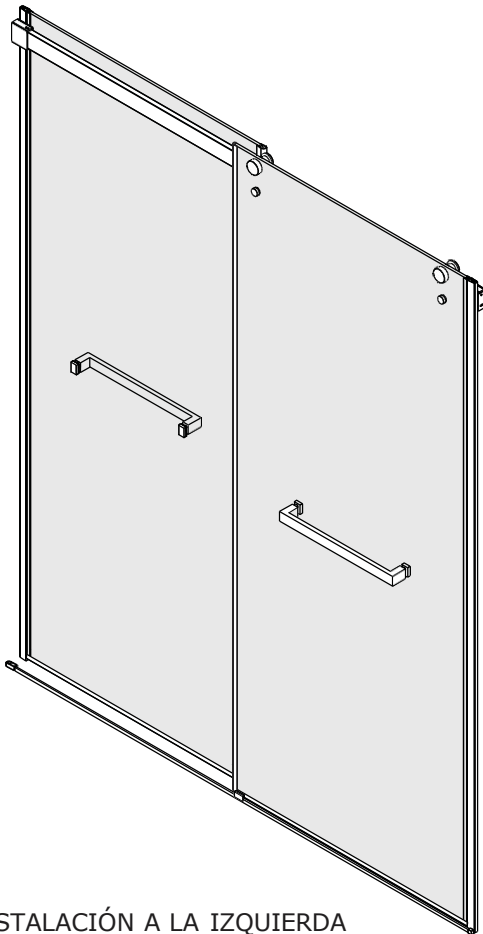


# Architectural ARCDR

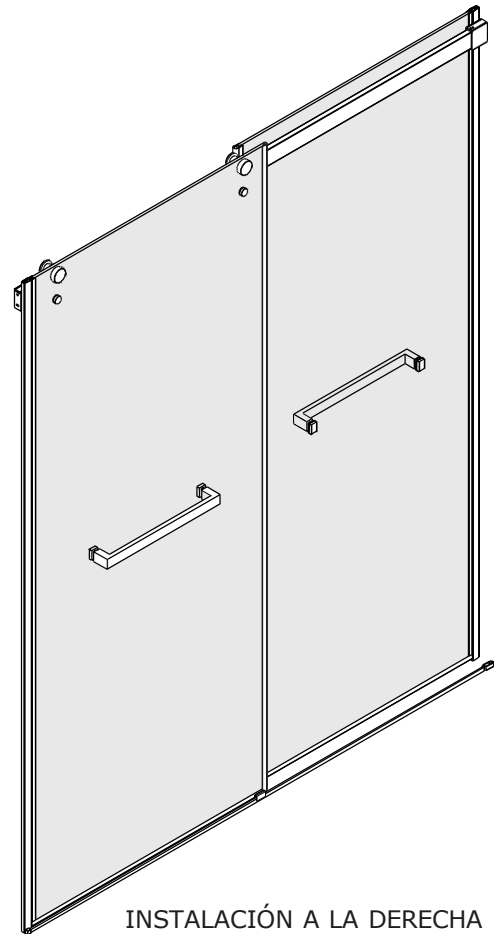
## RODILLO DOBLE PUERTA DE DUCHA Y BAÑERA

COPIA EL NÚMERO DE MODELO PARA TUS REGISTROS AQUÍ #

LEE DETENIDA MENTE LAS INSTRUCCIONES  
Familiarízate con todas las piezas tal como se muestran en la vista ampliada. La vista ampliada sirve también como útil referencia para conocer la ubicación de varias piezas y cómo se instalan.



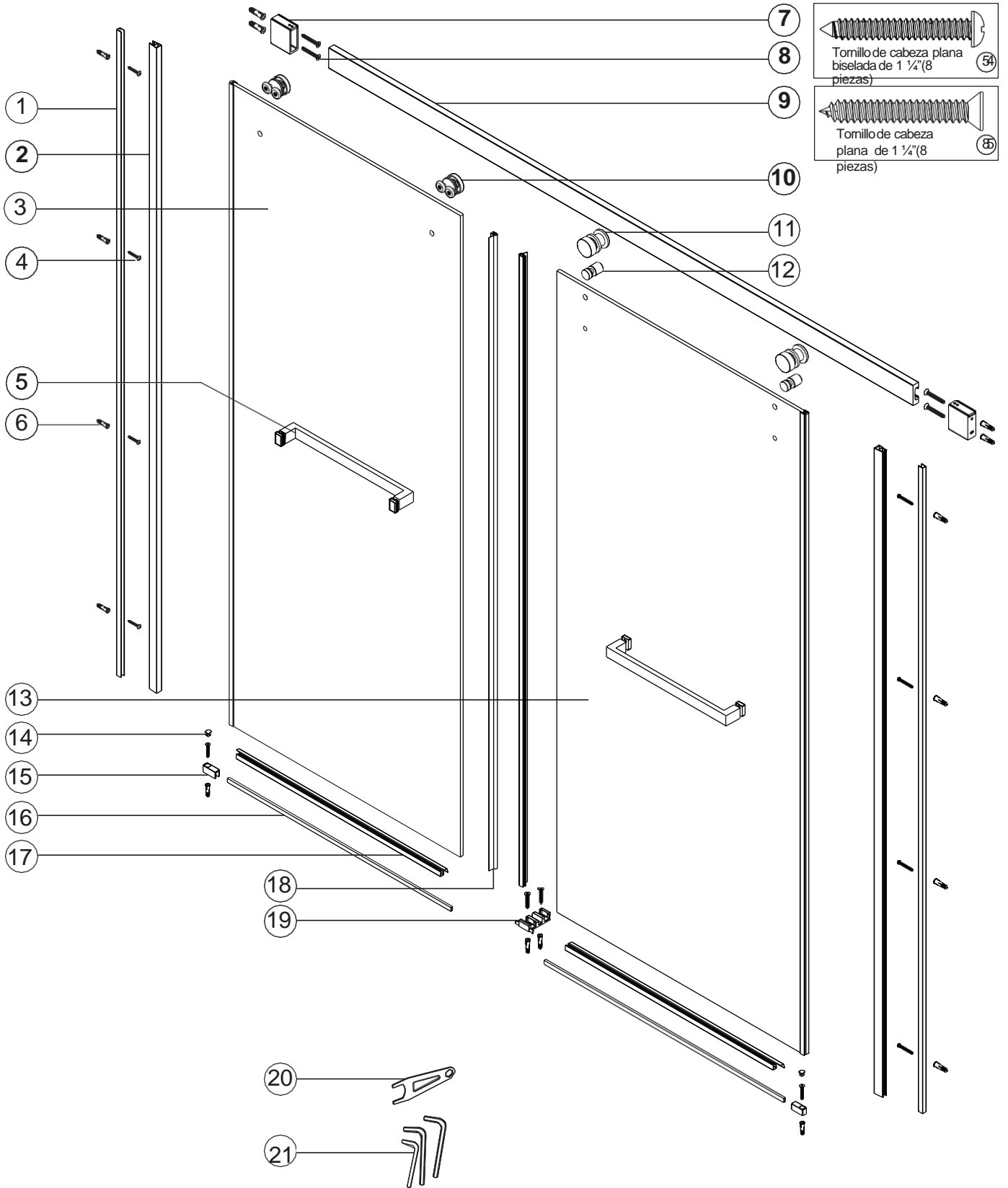
INSTALACIÓN A LA IZQUIERDA



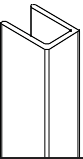
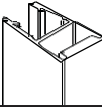
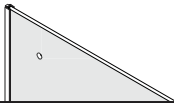

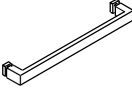
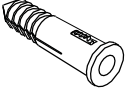
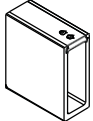
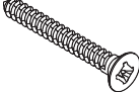
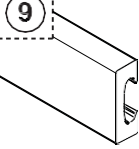
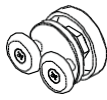
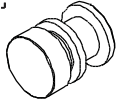
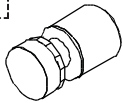
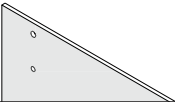

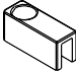
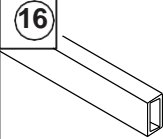
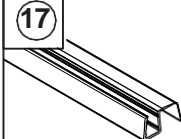

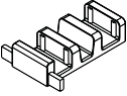


INSTALACIÓN A LA DERECHA

Need Help? Please call our toll-free customer service line at 1-225-295-4212 for additional assistance or service. If you have any questions or concerns regarding our warranty plan, please email: [customerservice@1858brands.com](mailto:customerservice@1858brands.com), Monday-Friday 7:30 AM to 5:00 PM EST  
¿Necesita ayuda? Por favor, llame a nuestra línea gratuita de servicio al cliente al 1-225-295-4212 para asistencia o servicio adicional. Si tiene alguna pregunta o duda sobre nuestro plan de garantía, por favor envíe un correo electrónico: De lunes a viernes, de 7:30 a 17:00 (hora del este), [customerservice@1858brands.com](mailto:customerservice@1858brands.com)





## LISTA DE PIEZAS

					
Canal de pared de aluminio (2 piezas)	Sello magnético de 180° (2 piezas)	Puerta interior (1 pieza)	Tornillo de cabeza plana biselada de 1/4" (8 piezas)	Manija (2 piezas)	Andaje para pared (16 piezas)
					
Conjunto de soporte de pared y riel (2 piezas)	Tornillo de cabeza plana de 1/4" (8 piezas)	Riel superior (1 pieza)	Rodillos doble (2 piezas)	Rodillo (2 piezas)	Dispositivo anti-salto (2 piezas)
					
Puerta exterior (1 pieza)	Cubierta de tornillo (2 piezas)	Cubierta de umbral (2 piezas)	Umbral (2 piezas)	Junta de umbral (2 piezas)	Junta de retención de agua (2 piezas)
					
Guía de puerta (1 pieza)	Llave (2 piezas)	Llave Allen (3 piezas)			

**⚠ ADVERTENCIA: Siempre se deben usar gafas de seguridad cuando se trabaja con vidrio templado.**

## HERRAMIENTAS RECOMENDADAS

					
SILICONA	TALADRO	CINTA DE MEDICIÓN	MARTILLO DE GOMA	BROCAS DE TALADRO	CUCHILLO
					
NIVEL	LÁPIZ	DESTORNILLADORES	SIERRA DE MANO	GAFAS DE SEGURIDAD	TIJERAS DE CORTE



---

## ELIGE LA DIRECCIÓN DE APERTURA DE LA PUERTA DE LA DUCHA: IZQUIERDA O DERECHA

---

Determina qué configuración de ensamblaje debes seguir en función de la ubicación del cabezal de ducha como se ve desde el exterior de la ducha. El cabezal de ducha de la mano izquierda debe usar el ensamblaje del lado izquierdo y el cabezal de la ducha de la mano derecha debe usar el ensamblaje de la mano derecha para asegurar una instalación de acabado hermético.

**NOTA IMPORTANTE: LA INSTALACIÓN CORRECTA REQUIERE UN SALIENTE FRONTAL PLANO DE ANCHO MÍNIMO DE 2¾" (6.99 CM)**

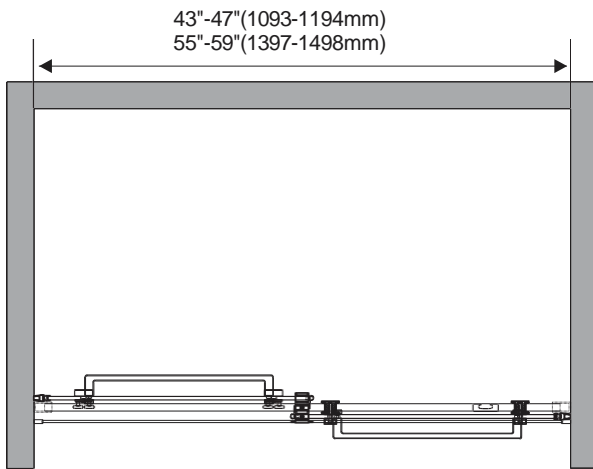
---

## PROCEDIMIENTO PARA LA INSTALACIÓN / PASO 1

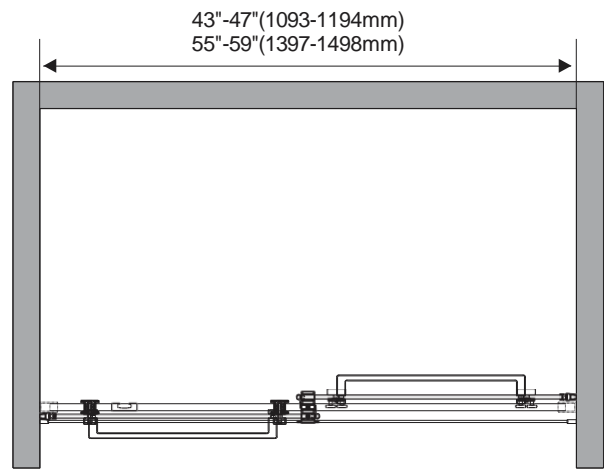
---

### 1 MEDIDA DE INSTALACIÓN

#### MONTAJE A MANO IZQUIERDA



#### MONTAJE A MANO DERECHA

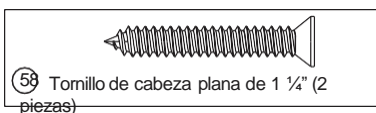
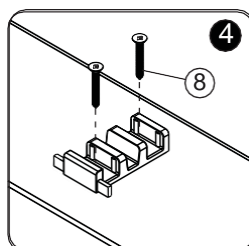
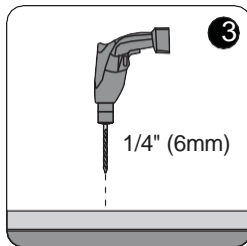
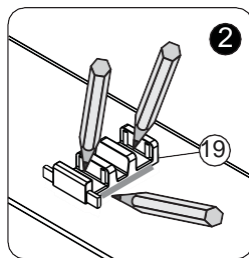
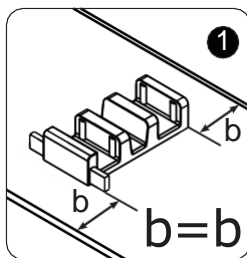
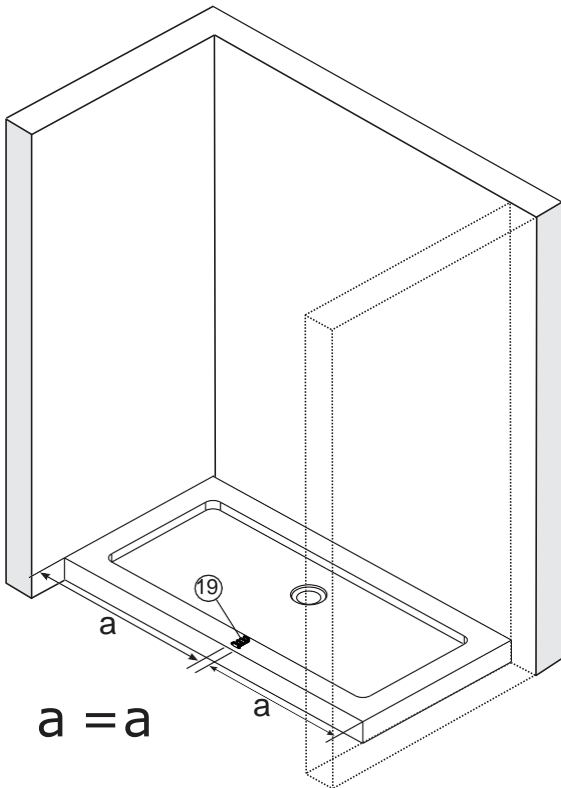


## PROCEDIMIENTO PARA LA INSTALACIÓN / PASO 2

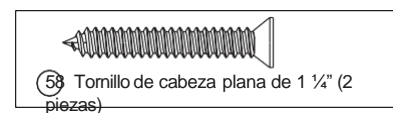
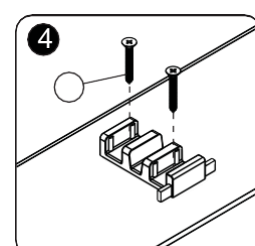
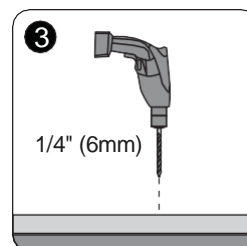
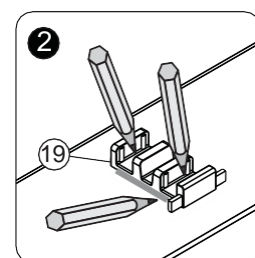
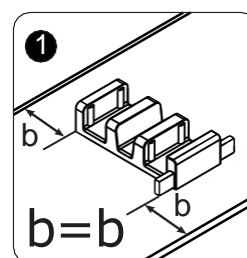
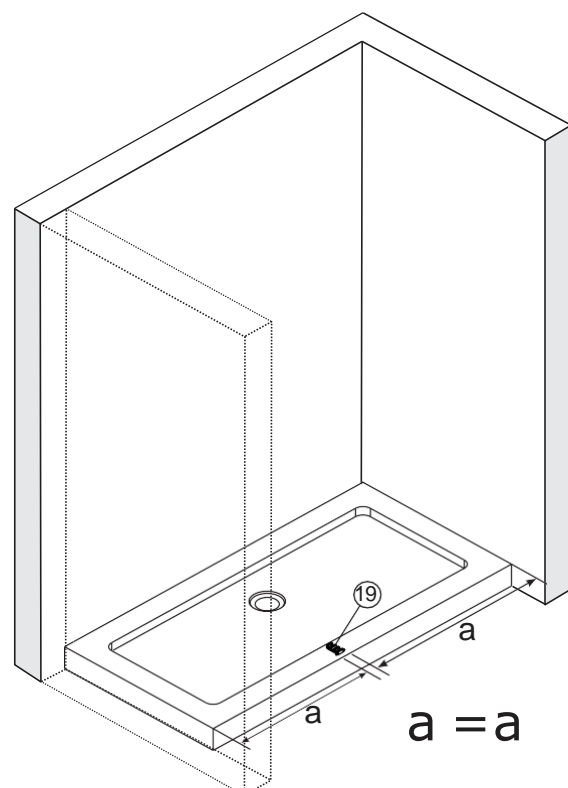
- 2** 1. Instala la guía de la puerta (19) en el medio de la bandeja.
2. Coloca la guía de la puerta como se muestra en los dibujos y marca los orificios asegurándote de que esté colocada en forma recta y a escuadra.
3. Taladra un orificio con una broca de 1/8" (3 mm).
4. Fija la guía de la puerta (19) en la bandeja con un tornillo de cabeza plana de 1/4"(8).

**Nota: El umbral de la ducha o bañera debe tener una superficie plana de 2¾" (6.99 cm).**

### MONTAJE A MANO IZQUIERDA



### MONTAJE A MANO DERECHA



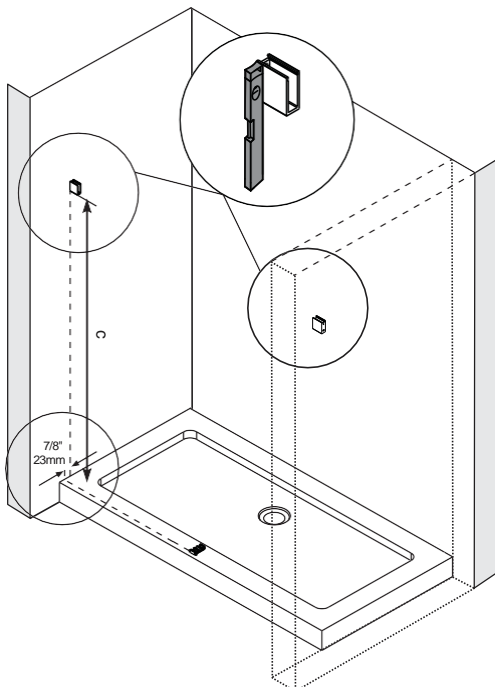


## PROCEDIMIENTO PARA LA INSTALACIÓN / PASO 3

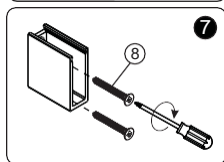
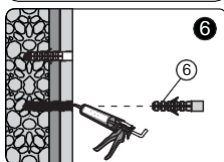
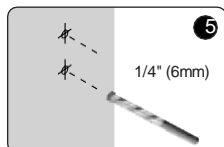
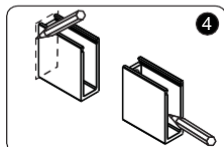
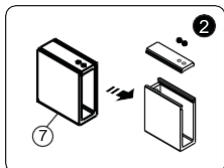
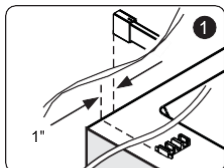
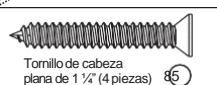
- 3**
1. La distancia exterior entre el montaje del soporte de pared del riel (7) y la guía de la puerta(19) debe ser de 1" (2.54 cm).
  2. Retira las placas superiores de ambos conjuntos de soportes de pared del riel (7).
  3. Mide hacia arriba en la pared hasta un punto 3 1/2" (8.9 cm) menos que la altura total del gabinete (Distancia C en la tabla a continuación) y márcalo.
  4. Coloca el soporte de pared del riel (7) de modo que la esquina inferior delantera del soporte esté en el punto que se muestra en el dibujo a continuación. (3 1/2" (8.9 cm) por debajo de la altura total y 7/8" (2.2 cm) detrás del borde frontal de la guía de la puerta). Asegúrate de que el soporte esté nivelado y en escuadra antes de trazar el soporte y marcar los orificios de los tornillos.
  5. Taladra un orificio con una broca de 1/4".
  6. Pega un poco de silicona en el orificio, luego inserta el ancla de pared (6).
  7. Fija el soporte de pared del riel contra la pared con un tornillo de cabeza plana de 4x 1 1/4"(8).

**CONSEJO:** Antes de continuar con el Paso 4, para facilitar el proceso de instalación, se recomienda que coloques el panel de vidrio interior contra la pared trasera de la ducha. Asegúrate de colocar primero una toalla o un pedazo de cartón como cojín para proteger el vidrio y el piso de la ducha de posibles daños y colocar el vidrio de manera que el protector H2OFF® esté en el lado del vidrio que está contra la pared posterior.

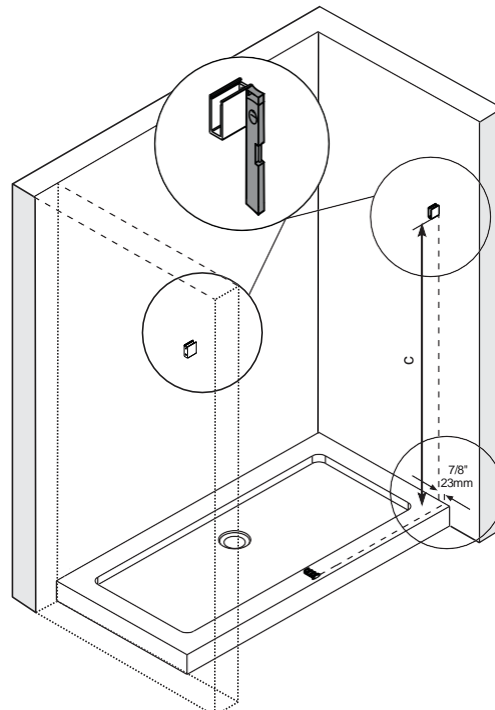
### MONTAJE A MANO IZQUIERDA



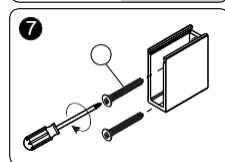
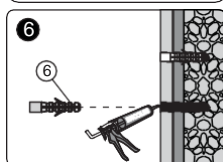
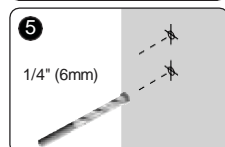
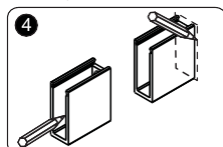
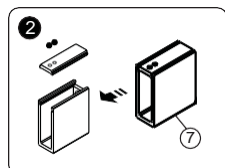
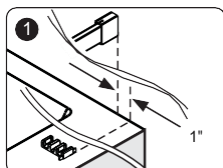
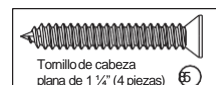
Altura total	Distancia C	
76"	1840mm	72 1/2"
63"	1510mm	59 1/2"



### MONTAJE A MANO DERECHA



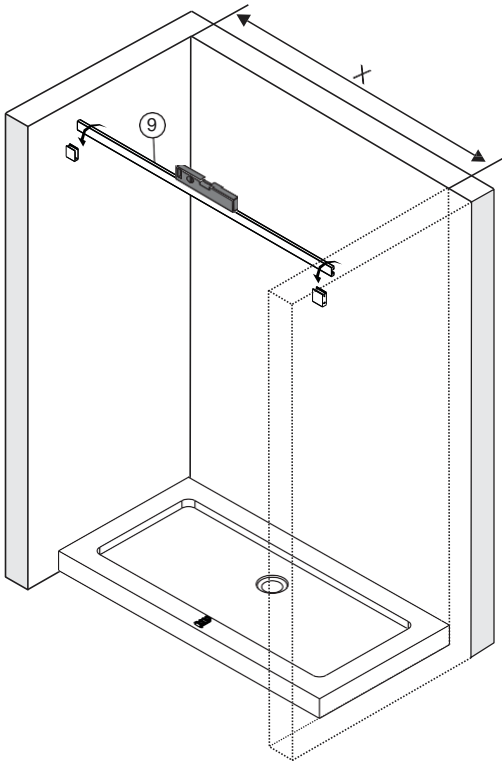
Altura total	Distancia C	
76"	1840mm	72 1/2"
63"	1510mm	59 1/2"



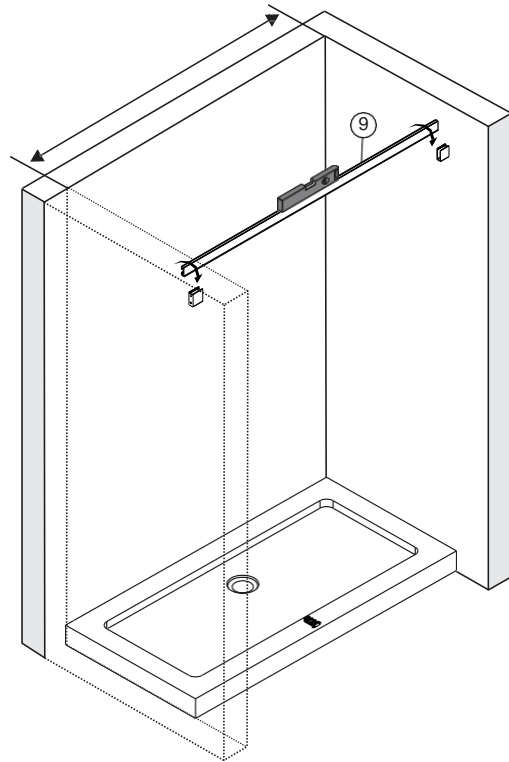
## PROCEDIMIENTO PARA LA INSTALACIÓN / PASO 4

- 4**
1. Dependiendo de tu apertura general, es posible que no tengas que cortar el riel superior. Utiliza la siguiente tabla para determinar tu situación y corta el riel como se muestra en el diagrama si es necesario.
  2. Inserta el riel superior en los soportes con la ranura hacia el interior de la ducha y usa un nivel para asegurarte de que el riel superior esté nivelado, ajustando los soportes si es necesario. Ajusta el riel superior de modo que el espacio en ambos extremos sea aproximadamente el mismo y luego desliza las placas superiores del soporte a su posición.
  3. Utiliza las llaves Allen proporcionadas para apretar 2 tornillos de fijación superior y 1 inferior en cada extremo de los soportes para anclar firmemente el riel superior en su lugar. Ten cuidado de no apretar demasiado mientras verificas que el riel superior no se mueva.

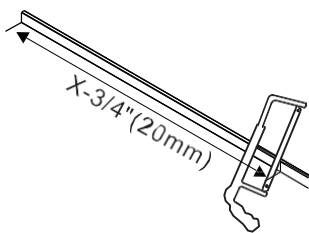
### MONTAJE A MANO IZQUIERDA



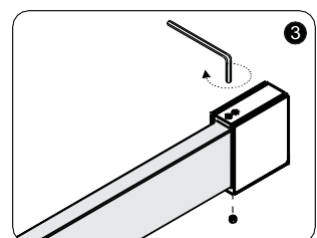
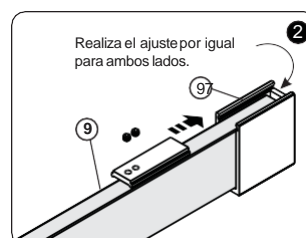
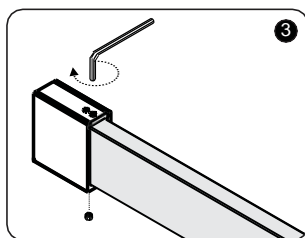
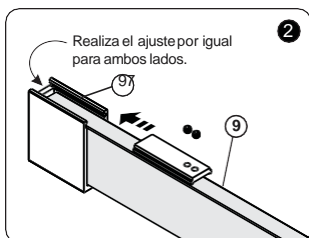
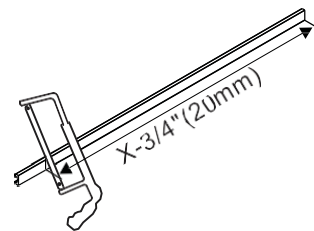
### MONTAJE A MANO DERECHA



PASO 4		DIMENSIONES DE LA INSTALACIÓN	1
NO CORTAR		45 5/8"-47"(1158-1194mm)	
		57 1/2"-59"(1462-1498mm)	
CORTAR		43"-45 5/8"(1093-1158mm)	
		55"-57 1/2"(1397-1462mm)	



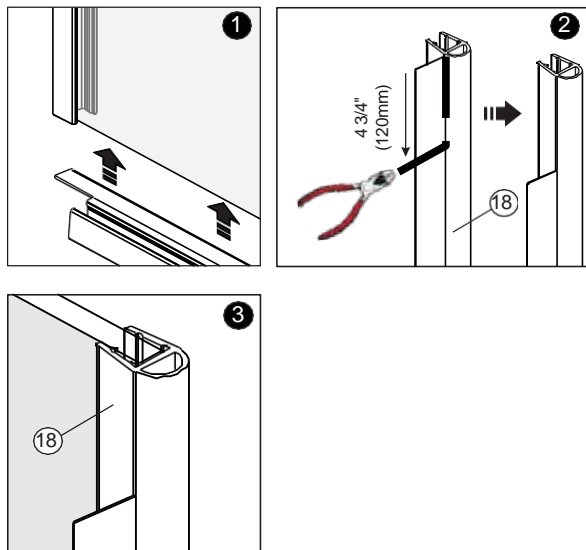
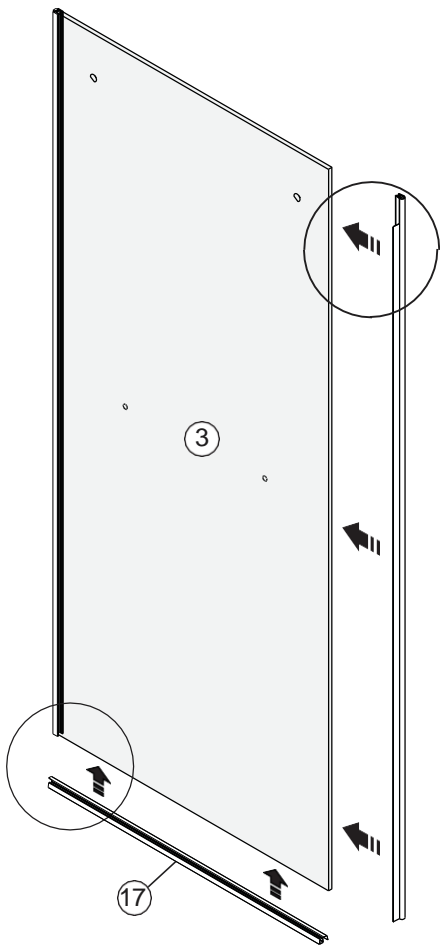
PASO 4		DIMENSIONES DE LA INSTALACIÓN	1
NO CORTAR		45 5/8"-47"(1158-1194mm)	
		57 1/2"-59"(1462-1498mm)	
CORTAR		43"-45 5/8"(1093-1158mm)	
		55"-57 1/2"(1397-1462mm)	



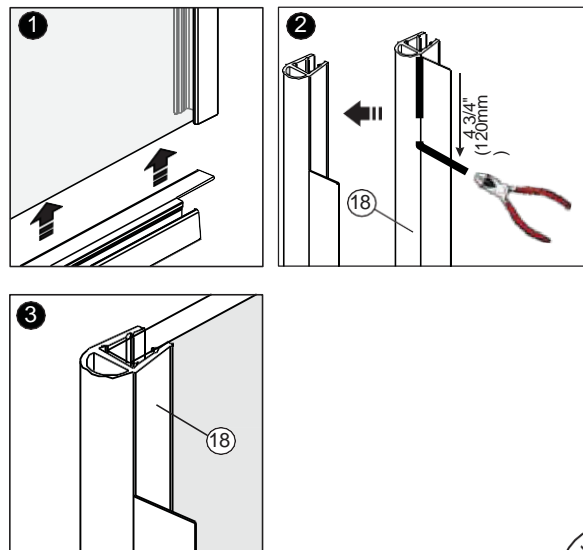
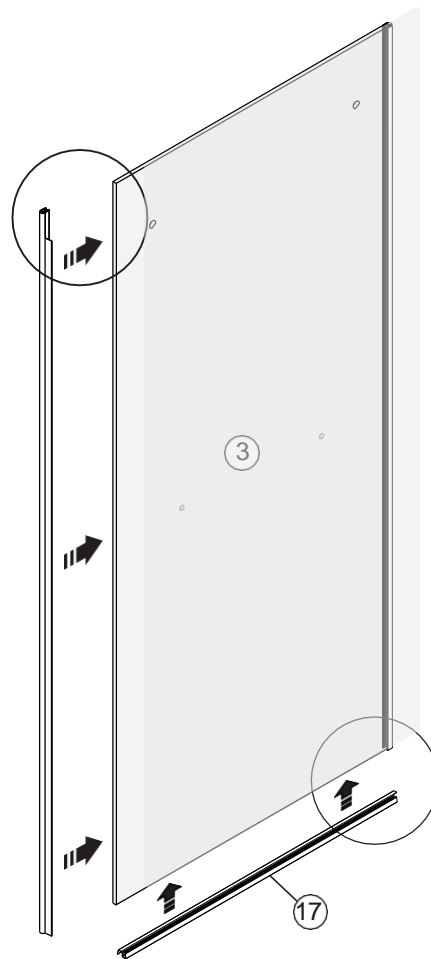
## PROCEDIMIENTO PARA LA INSTALACIÓN / PASO 5

- 5**
1. Instala la junta del umbral (17) en la parte inferior del panel interior de la puerta (3).
  2. Recorta la junta de retención de agua (18) hacia abajo  $4\frac{3}{4}$ " (12.06cm) desde la parte superior como se muestra en el diagrama a continuación.
  3. Instala la junta de retención de agua (18) en el vidrio interior.

### MONTAJE A MANO IZQUIERDA

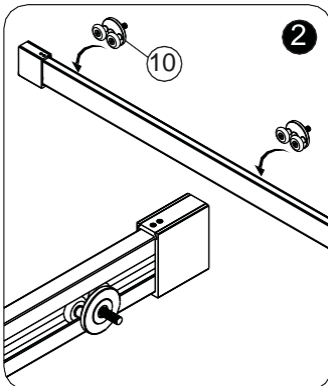
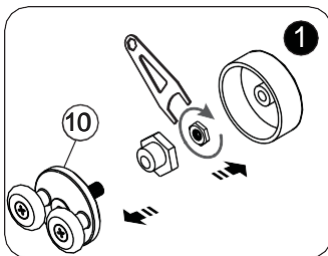
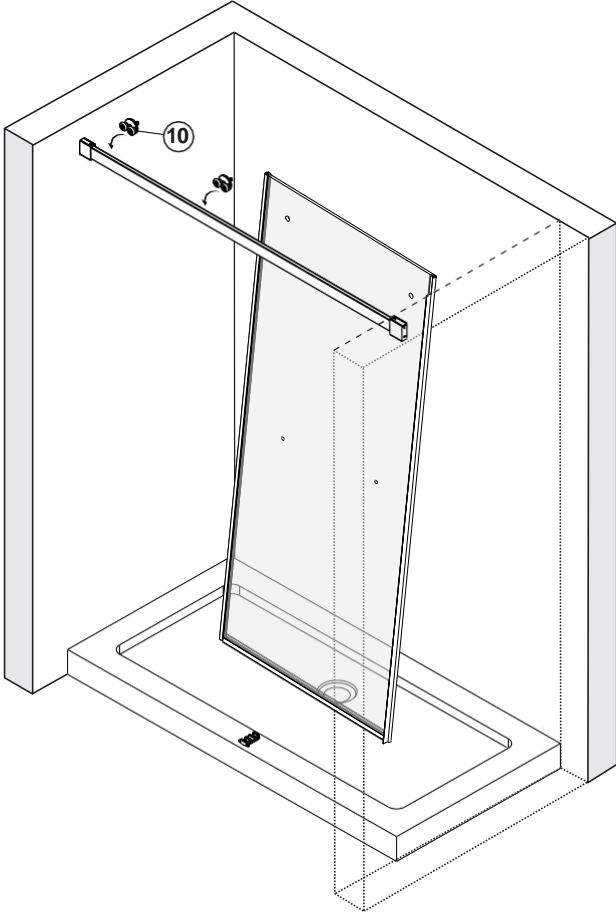


### MONTAJE A MANO DERECHA

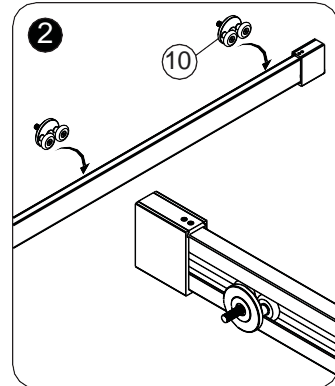
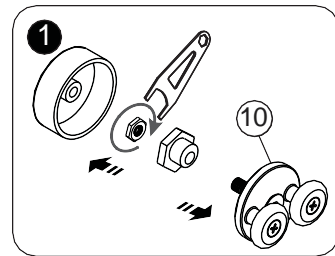
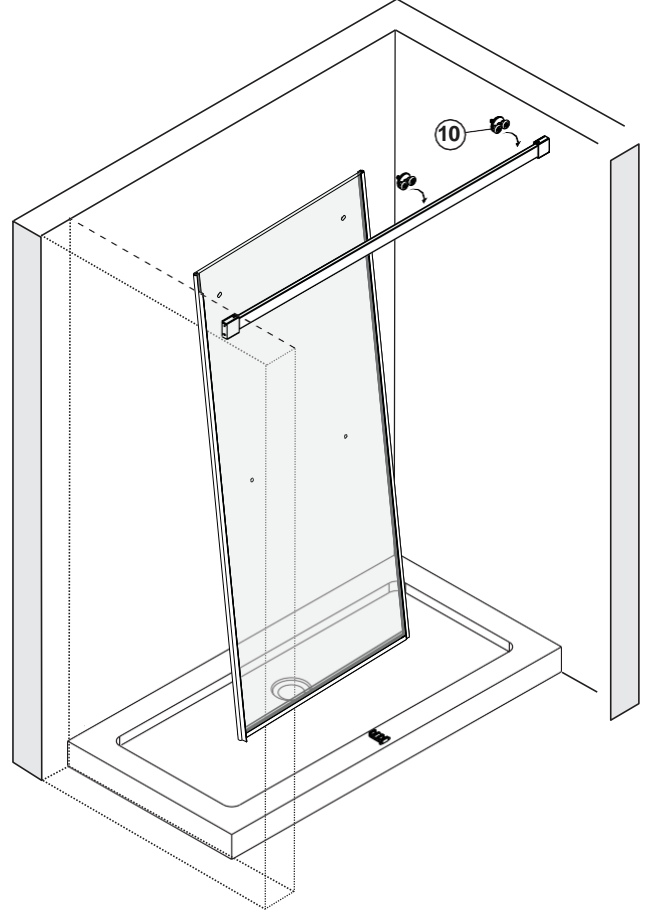


- 6** 1.Utiliza la llave incluida para desmontar los rodillos dobles (10) y luego desliza los rodillos dentro de la ranura en la parte posterior del riel superior (9).

MONTAJE A MANO IZQUIERDA

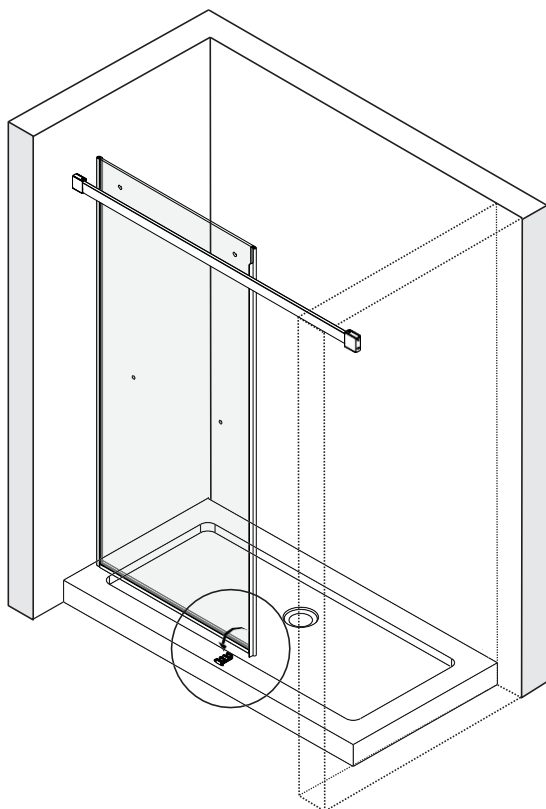


MONTAJE A MANO DERECHA

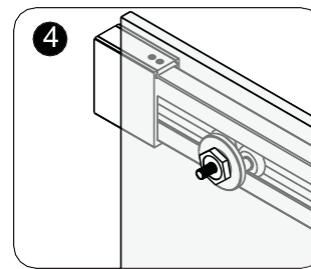
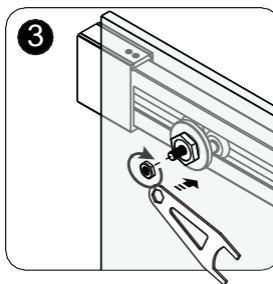
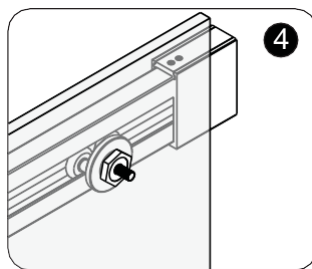
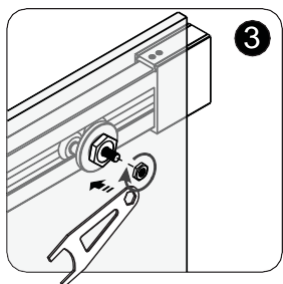
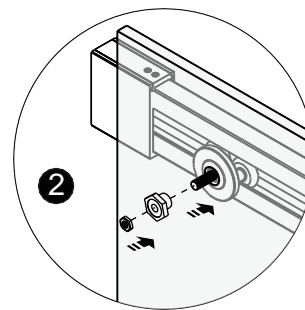
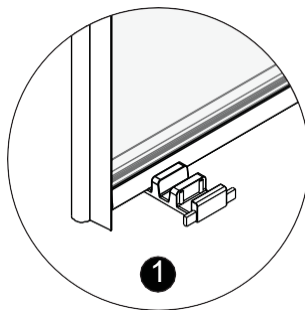
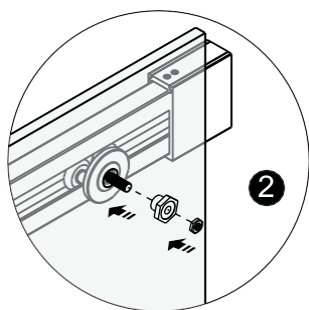
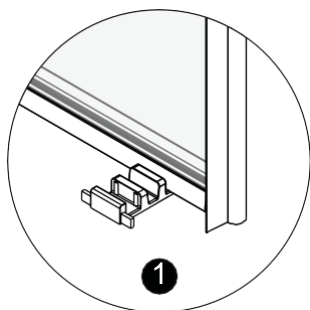
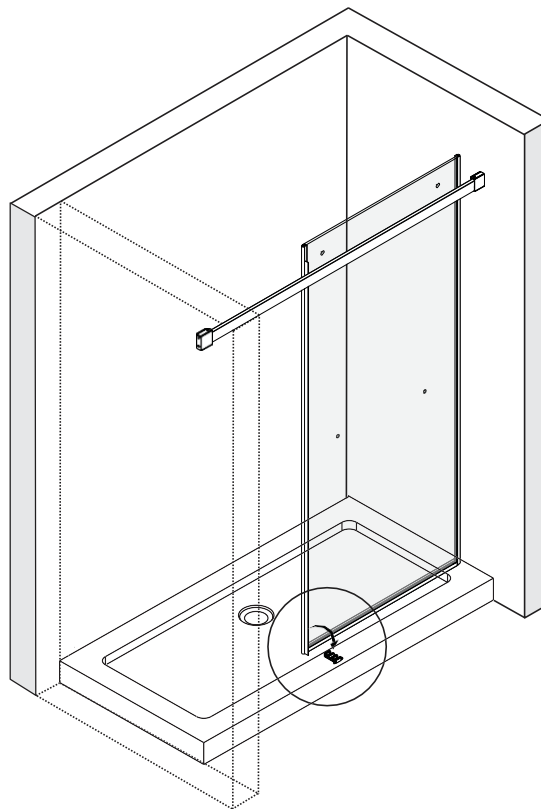


- 7**
1. Mientras inclinas ligeramente el panel de la puerta de vidrio interior (3) hacia la ducha, insértalo en la ranura interior de la guía del panel inferior (19).
  2. Inserta las tuercas hexagonales en los orificios en la parte superior del panel de vidrio interior (3), alinéalas con la varilla roscada en las rodillos dobles y (con la llave incluida) asegúralas en su lugar. Se recomienda enfáticamente que una segunda persona te ayude con este paso.

MONTAJE A MANO IZQUIERDA



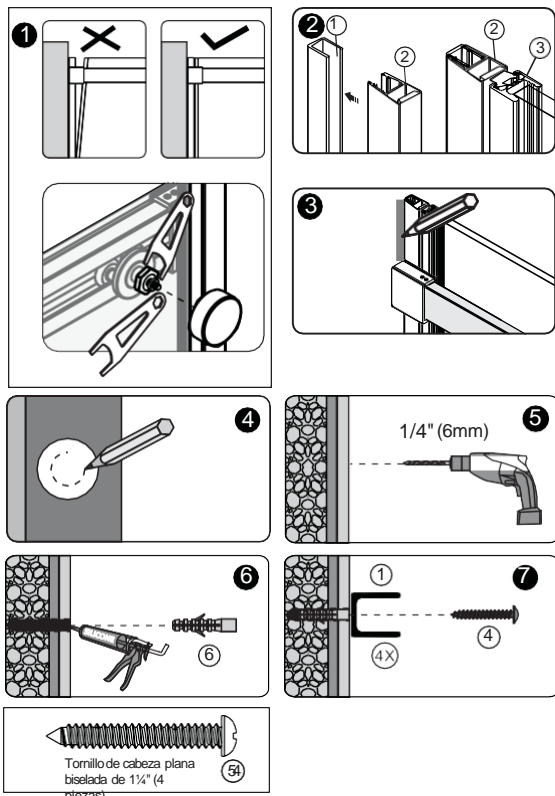
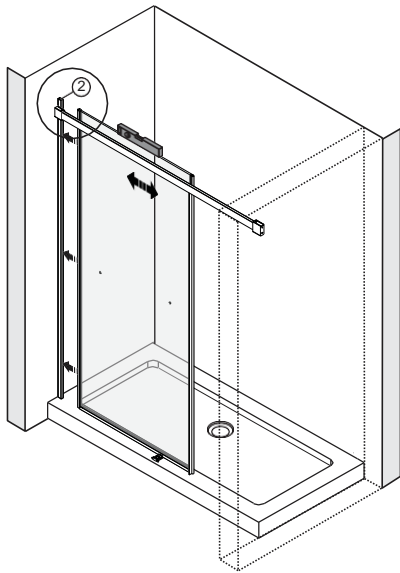
MONTAJE A MANO DERECHA



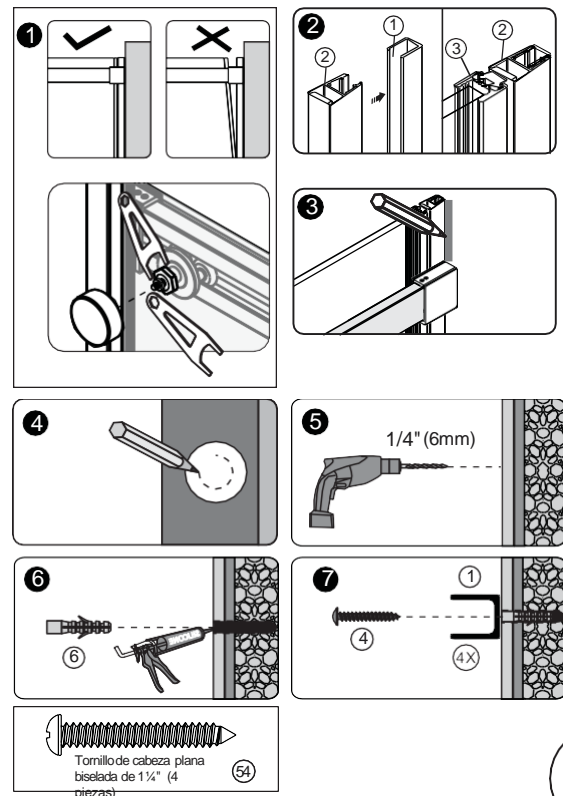
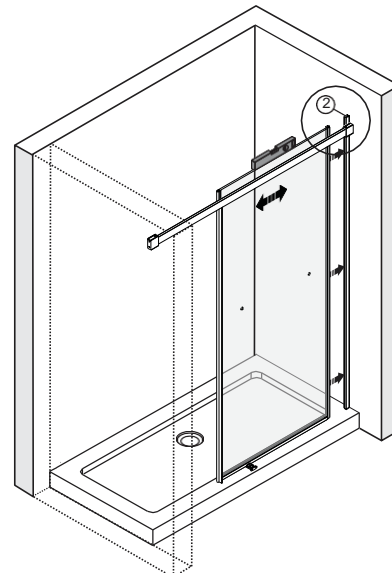
# PROCEDIMIENTO PARA LA INSTALACIÓN / PASO 8

- 8**
1. Ajusta los rodillos para que el panel contacte con la pared de arriba a abajo de manera uniforme.
  2. Fija el sello magnético de 180° (2) al sello magnético de la puerta interior (3) utilizando la atracción magnética [si se repelen, gira el sello magnético de 180° (2) boca abajo] y desliza el canal de pared de aluminio (1) temporalmente.
  3. Desliza el panel y el conjunto de sello magnético de pared contra la pared y marca la posición.
  4. Desengancha el canal de aluminio de la pared (1), colócalo en su posición en la pared y marca la ubicación de los orificios.
  5. Taladra un orificio con una broca de 1/4" (6 mm).
  6. Pega un poco de silicona en el orificio, luego inserta el ancla de pared.
  7. Fija el canal de aluminio de la pared (1) a la pared con tornillos de cabeza plana biselada de 1 1/4" (4).

## MONTAJE A MANO IZQUIERDA



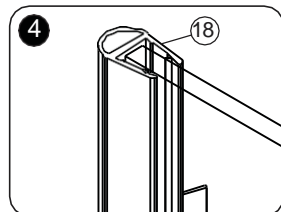
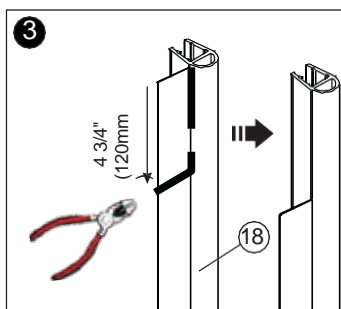
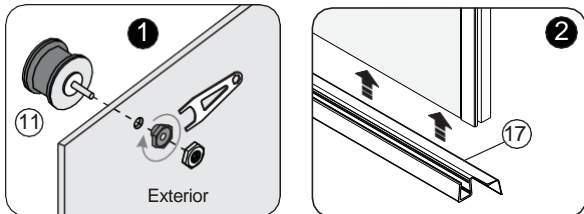
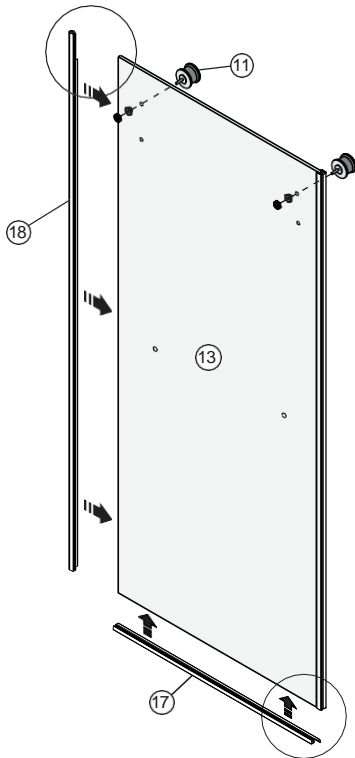
## MONTAJE A MANO DERECHA



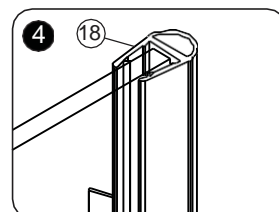
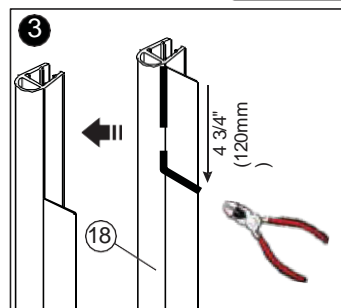
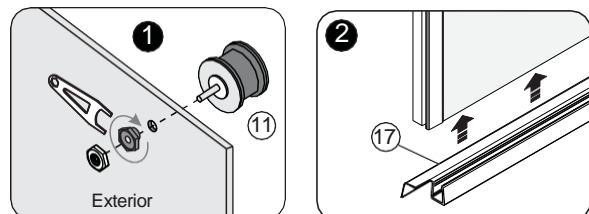
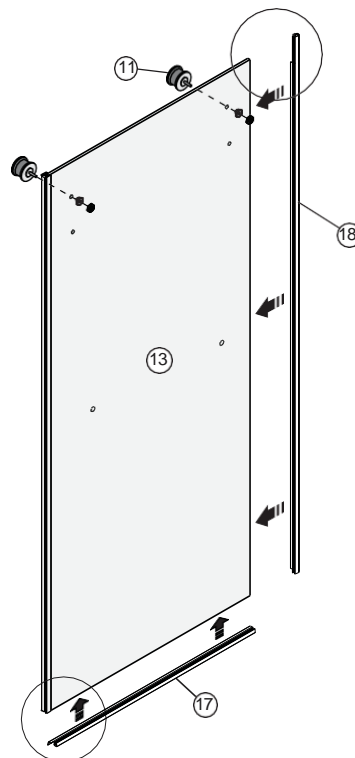
9

1. Instala la rodillo (11) en la puerta exterior (13), luego aprieta con una llave.
2. Instala la junta de umbral (17) en la parte inferior de la puerta exterior (13).
3. Corte una muesca de 4 3/4" (120mm) en la parte superior de la junta de retención de agua (18) como se muestra en el dibujo #3.
4. Instala la junta de retención de agua (18) en el vidrio exterior (13).

MONTAJE A MANO IZQUIERDA

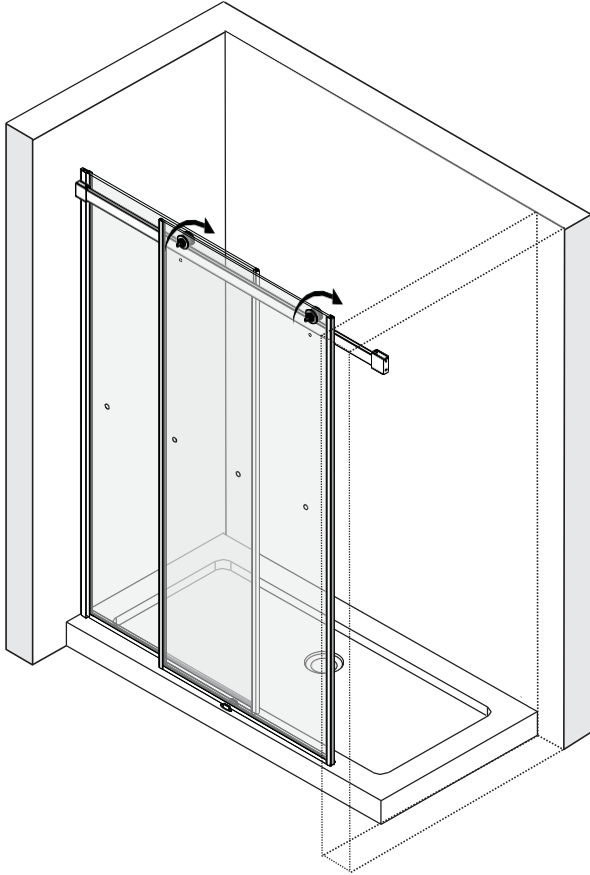


MONTAJE A MANO DERECHA

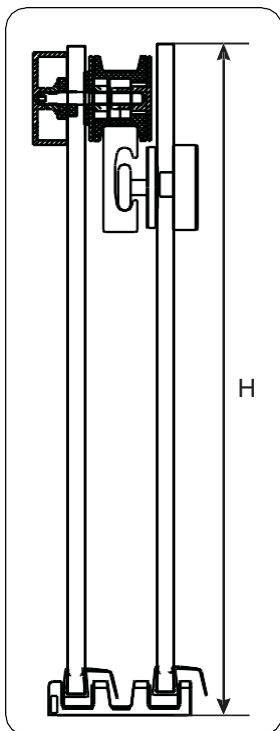
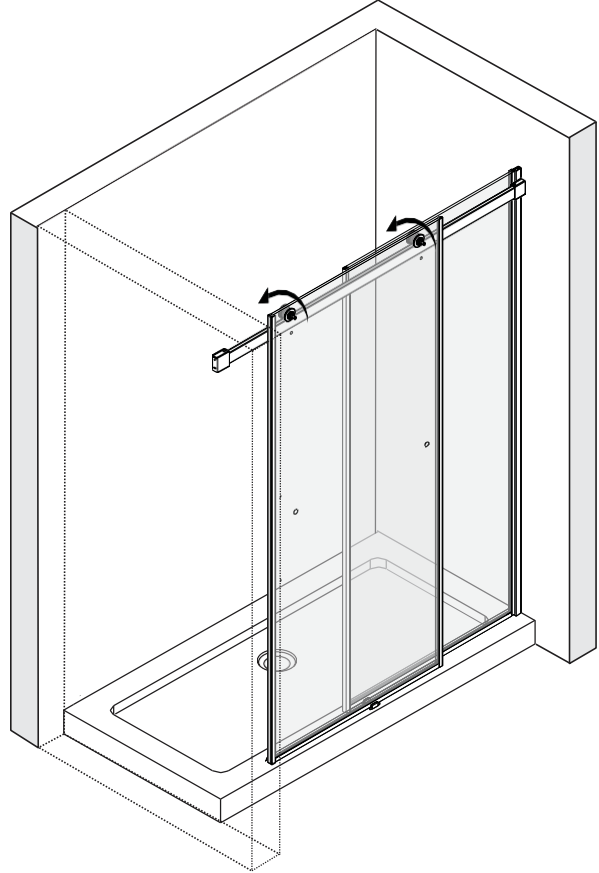


**10** Coloca la puerta exterior (13) en el riel superior teniendo cuidado de deslizar la parte inferior del panel en el canal exterior de la guía del panel inferior (19).

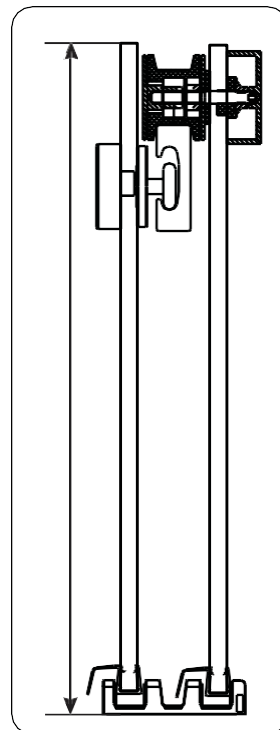
MONTAJE A MANO IZQUIERDA



MONTAJE A MANO DERECHA



H  
H=Product Height



H  
H=Product Height

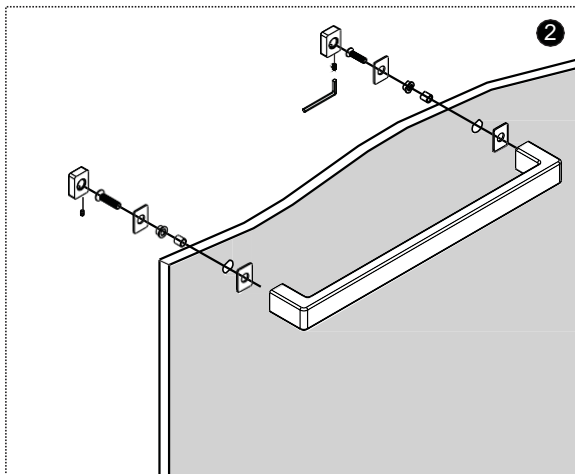
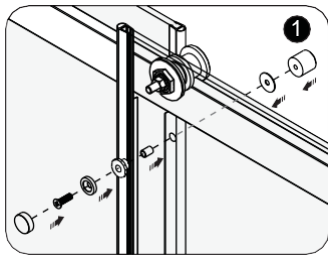
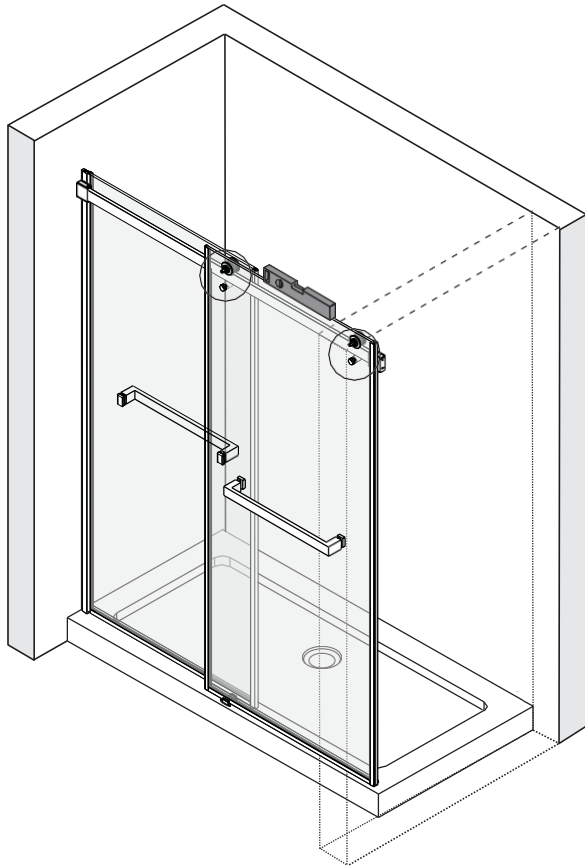




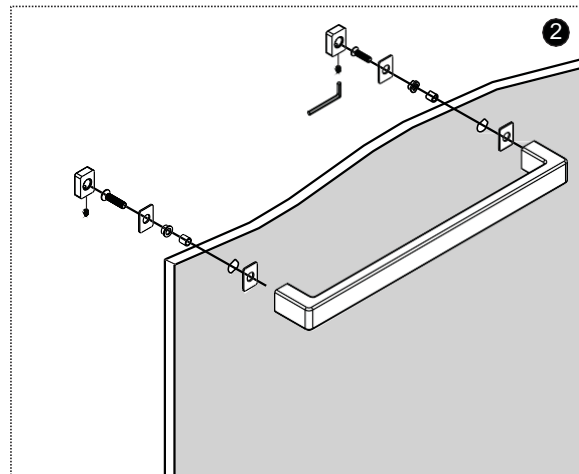
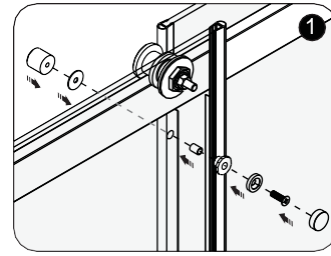
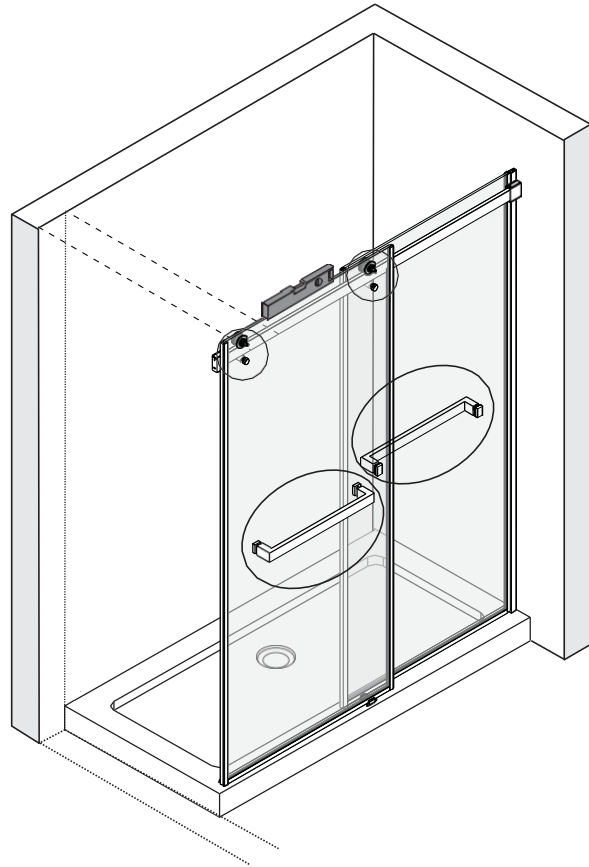
11

1. Usa un nivel en la parte superior de la puerta exterior (13) para asegurarte de que esté nivelada y luego instala el dispositivo anti-salto (12).
2. Instala las manijas (5) en los paneles interiores y exteriores de las puertas.

MONTAJE A MANO IZQUIERDA



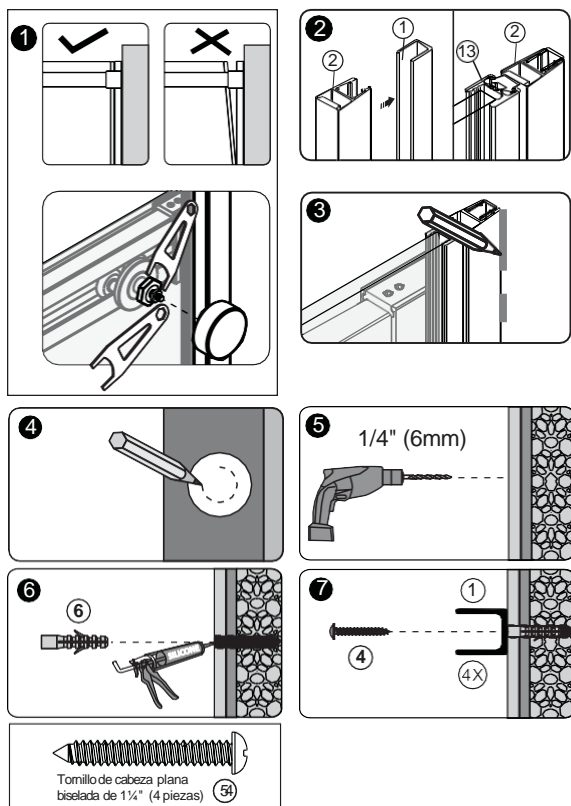
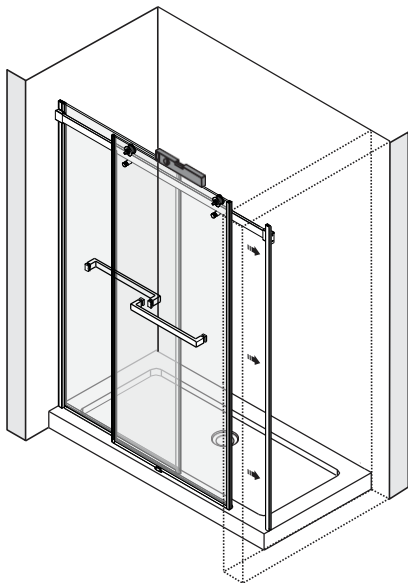
MONTAJE A MANO DERECHA



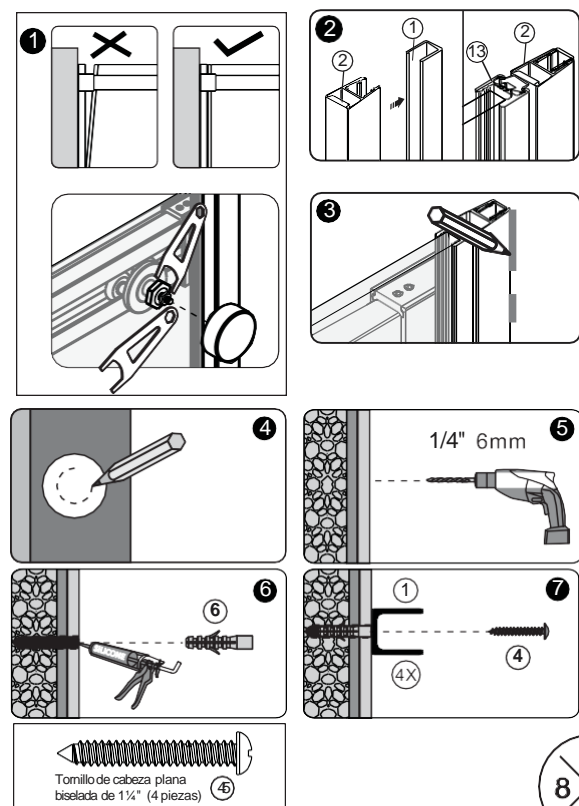
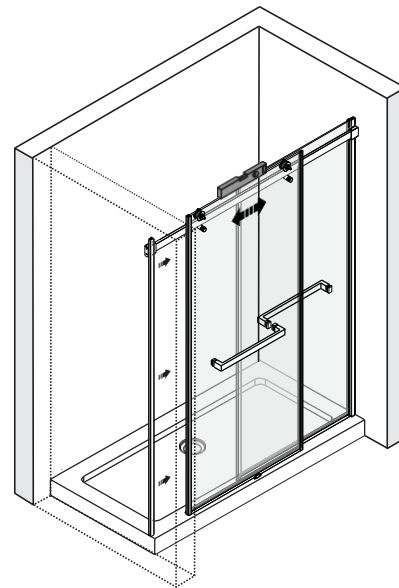
## PROCEDIMIENTO PARA LA INSTALACIÓN / PASO 12

- 12**
1. Ajusta los rodillos para que el panel contacte con la pared de arriba a abajo de manera uniforme.
  2. Fija el sello magnético de 180° (2) al sello magnético de la puerta exterior (13) utilizando la atracción magnética [si se repelen, gira el sello magnético de 180° (2) boca abajo] y desliza el canal de pared de aluminio (1) temporalmente.
  3. Desliza el panel y el conjunto de sello magnético de pared contra la pared y marca la posición.
  4. Desengancha el canal de aluminio de la pared (1), colócalo en su posición en la pared y marca la ubicación de los orificios.
  5. Taladra un orificio con una broca de 1/4" (6 mm).
  6. Pega un poco de silicona en el orificio, luego inserta el ancla de pared.
  7. Fija el canal de aluminio de la pared (1) a la pared con tornillos de cabeza plana biselada de 1 1/4" (4).

### MONTAJE A MANO IZQUIERDA



### MONTAJE A MANO DERECHA

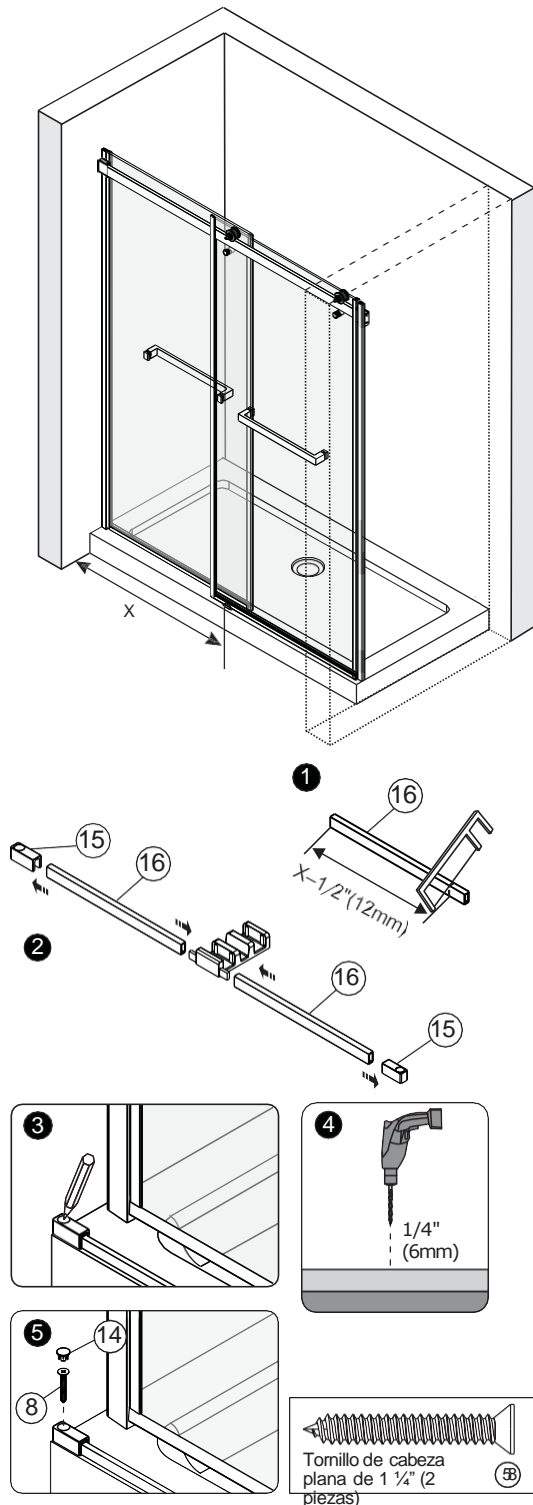


# PROCEDIMIENTO PARA LA INSTALACIÓN / PASO 13

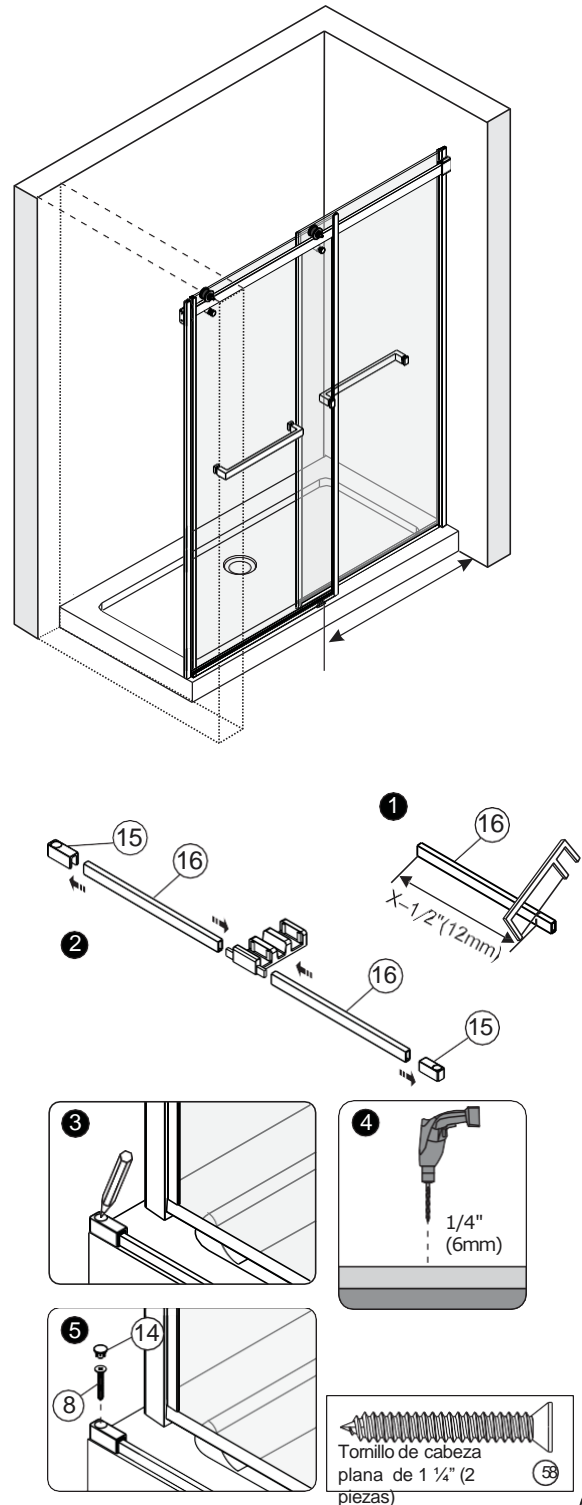
**13**

1. Mide la distancia desde la pared a cada lado hasta el cuerpo principal de la guía del panel. Resta ½" (1.27cm) de esta dimensión y corta el umbral (16) a la medida. Repite este proceso para el otro lado.
2. Instala el umbral (16) y la cubierta del umbral (15).
3. Marca las ubicaciones de los orificios para los tornillos de montaje de la cubierta del umbral.
4. Taladra orificios con una broca de 1/8" (3 mm).
5. Fija las cubiertas del umbral con tornillos de cabeza plana de 1¼"(8).

## MONTAJE A MANO IZQUIERDA

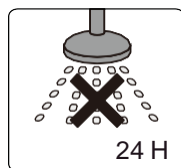
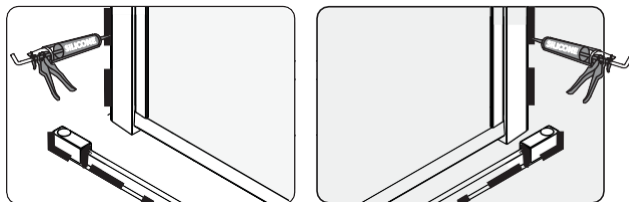
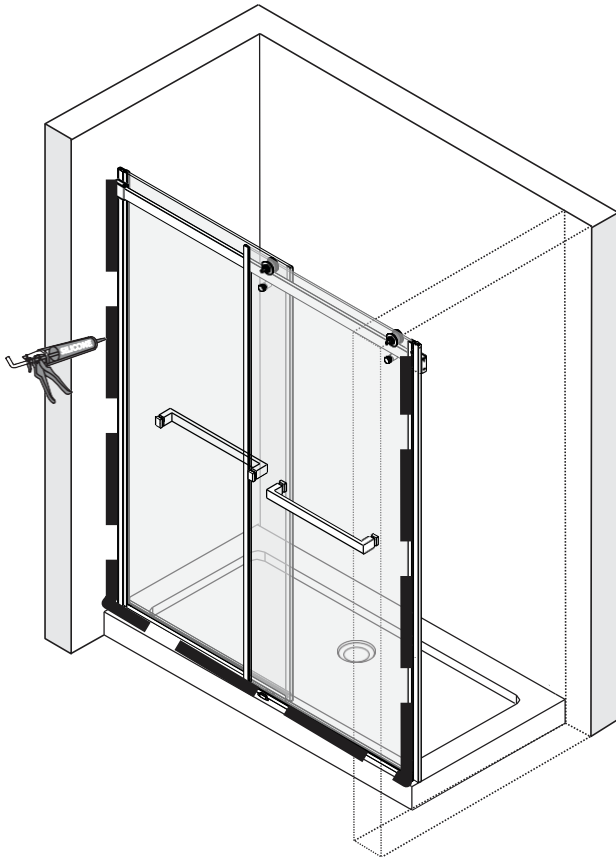


## MONTAJE A MANO DERECHA



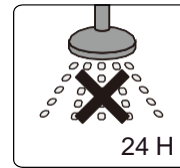
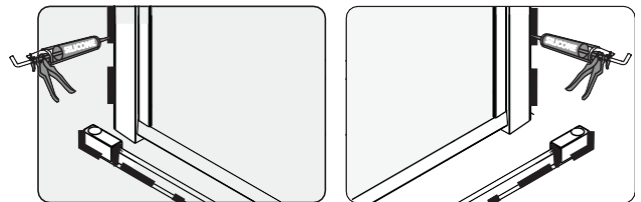
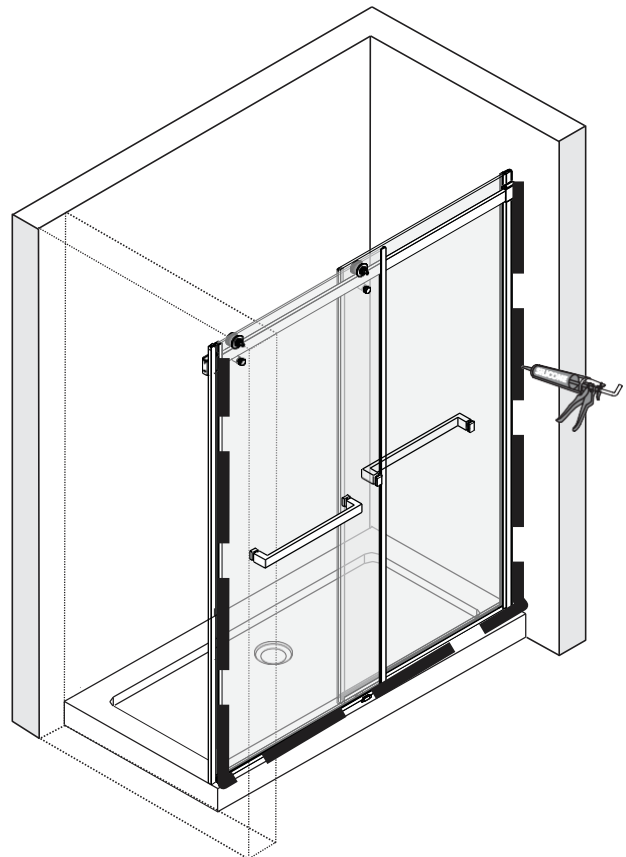
- 14** Aplica pasta selladora en todo el borde exterior donde los canales de aluminio de la pared (1), el umbral (16) y la guía del panel (19) se encuentran con las paredes y el umbral y luego mantén toda el área seca durante un mínimo de 24 horas mientras se seca la pasta selladora.

MONTAJE A MANO IZQUIERDA



**PASO FINAL:**  
 Aplica pasta selladora a los lados interiores del marco de la puerta de la ducha para sellar. Mantén toda el área seca durante un mínimo de 24 horas.

MONTAJE A MANO DERECHA



**PASO FINAL:**  
 Aplica pasta selladora a los lados interiores del marco de la puerta de la ducha para sellar. Mantén toda el área seca durante un mínimo de 24 horas.

# ATENCIÓN CONSUMIDOR:

## INFORMACIÓN IMPORTANTE SOBRE LA GARANTÍA

POR FAVOR, NO DESCARTAR

Gracias por su compra.

Para poder beneficiarse de la garantía del producto, registre su puerta en nuestra pagina del web en un plazo de dos (2) semanas tras la instalación.

Vaya a:

<https://www.luxartcollection.com/pages/register-warranty>

O escanee el código QR que aparece a continuación  
y siga las instrucciones.



Para cualquier pregunta o comentario sobre su compra  
póngase en contacto con nuestro Servicio de  
Atención al Cliente en:

[customerservice@1858brands.com](mailto:customerservice@1858brands.com)

Need Help? Please call our toll-free customer service line at 1-225-295-4212 for additional assistance or service. If you have any questions or concerns regarding our warranty plan, please email: [customerservice@1858brands.com](mailto:customerservice@1858brands.com), Monday-Friday 7:30 AM to 5:00 PM EST

¿Necesita ayuda? Por favor, llame a nuestra línea gratuita de servicio al cliente al 1-225-295-4212 para asistencia o servicio adicional. Si tiene alguna pregunta o duda sobre nuestro plan de garantía, por favor envíe un correo electrónico: De lunes a viernes, de 7:30 a 17:00 (hora del este), [customerservice@1858brands.com](mailto:customerservice@1858brands.com)



## GARANTÍA

---

El distribuidor garantiza al comprador original que este ensamble no presentará defectos de fabricación, que afecten su rendimiento como bañera o ducha, en las siguientes condiciones y sujeto a las limitaciones incluidas en las secciones "Resarcimientos" y "Limitaciones de la garantía". La Garantía limitada se aplica durante 5 años a partir de la fecha de compra si el ensamble se usa en un edificio residencial ocupado por el propietario sin fines comerciales o durante 2 años a partir de la fecha de compra si se usa en cualquier otro edificio, incluido cualquier edificio con fines de alquiler o comerciales. Esta Garantía limitada es nula si el ensamble no se instala de acuerdo con las instrucciones de instalación provistas por el distribuidor o los códigos y ordenanzas de construcción locales, o si no se siguen las instrucciones de cuidado y limpieza provistas por el distribuidor. Esta Garantía limitada también es nula si el ensamble se traslada de la ubicación de su instalación inicial o está sujeto a accidente, abuso o uso inadecuado. La Garantía limitada excluye el desgaste normal. Esta Garantía limitada se anulará, a menos que cualquier falla o incumplimiento se descubra antes de la caducidad de esta garantía y sea informado al distribuidor, por escrito, acompañado del comprobante de compra original, dentro de los 30 días siguientes al descubrimiento. RECURSOS: el recurso del comprador original bajo esta Garantía limitada se limita a la reparación, reemplazo o reembolso del precio de compra del ensamble, a juicio exclusivo del distribuidor, de cualquier parte del ensamble que haya fallado o no se ajuste a las especificaciones del fabricante, limitado a daños o pérdida de uso del edificio o su contenido, que surjan de cualquier defecto en el ensamble ni el distribuidor será responsable de ningún monto que exceda el precio de compra original del accesorio. El distribuidor se reserva el derecho a solicitar la devolución, a expensas del comprador, del ensamble dañado para su reparación o cambio antes de proporcionar servicios de acuerdo con esta Garantía limitada. Si el distribuidor opta por reemplazar el ensamble, su obligación se limita a proporcionar una unidad de reemplazo o pieza componente de tamaño y estilo comparables, y no incluye el costo de retiro, instalación o transporte, que debe ser asumido por el comprador. Las piezas de repuesto proporcionadas de acuerdo con esta Garantía limitada cuentan con una garantía durante el resto del período de garantía original aplicable al ensamble, como si dichas piezas fueran los componentes originales del ensamble. LIMITACIONES DE LA GARANTÍA: NO EXISTEN GARANTÍAS QUE SE EXTIENDAN MÁS ALLÁ DE LA DESCRIPCIÓN QUE APARECE AQUÍ DE LAS GARANTÍAS IMPLÍCITAS, INCLUIDAS AQUELLAS DE COMERCIALIZACIÓN O DE IDONEIDAD PARA UN PROPÓSITO ESPECÍFICO, QUE HAYAN SIDO NEGADAS EXPRESAMENTE. EL DISTRIBUIDOR SE DESLINDA DE CUALQUIER Y TODA RESPONSABILIDAD POR DAÑOS ESPECIALES, RESULTANTES O ACCIDENTALES. Algunos estados no permiten las limitaciones de los daños accidentales o resultantes, de modo que las limitaciones y exclusiones anteriores pueden no aplicarse en su caso. En dichos estados, la responsabilidad del distribuidor se limitará en la medida que lo permita la ley estatal. CUALQUIER GARANTÍA IMPLÍCITA QUE SURJA BAJO LA LEY ESTATAL, INCLUIDA CUALQUIER GARANTÍA IMPLÍCITA DE COMERCIALIZACIÓN O CUALQUIER GARANTÍA IMPLÍCITA DE IDONEIDAD PARA UN FIN PARTICULAR, ESTÁ LIMITADA EN DURACIÓN Y ALCANCE DE LA COBERTURA A LAS CONDICIONES DE ESTA GARANTÍA LIMITADA, A MENOS QUE LA LEY PERMITA UN PERIODO MÁS CORTO.

\*A partir del 1 de julio de 2023, debido a una actualización de la ley de California, la fecha de inicio de las garantías de los productos ahora se alineará con la fecha de entrega del producto. Este cambio es para todos los productos Luxart comprados a partir del 1 de julio de 2023 por los consumidores de California. (Información legislativa de California AB-2912)

