

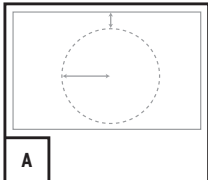
# FRANCISCA

## INSTALLATION

### Round Vessel Sink



### INCLUDED PARTS



A Template

x1

### INSTALLATION TIPS

Luxart suggests using a locally licensed plumber for installation.

## Installation

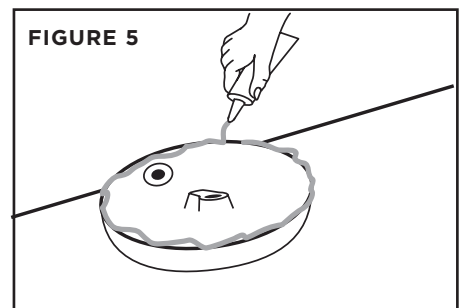
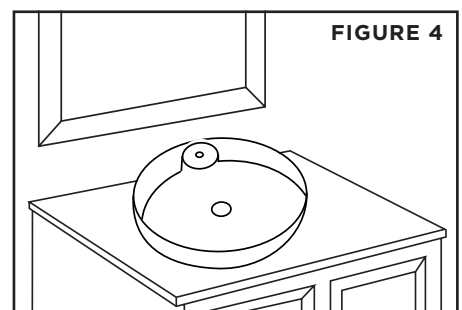
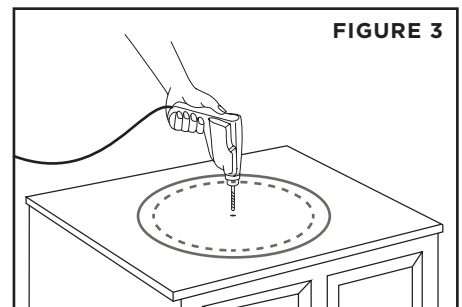
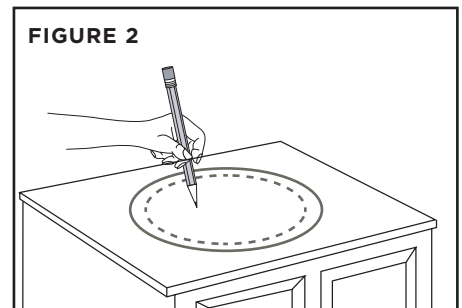
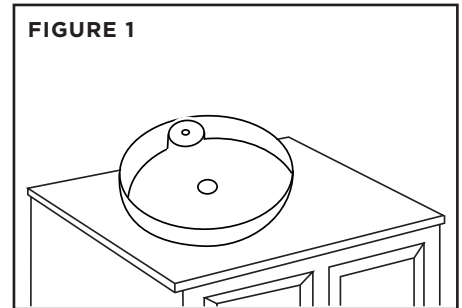
1. Water supply should be off and water should be completely drained from main location water valve or faucet. Locate the proper place on the vanity top that the vessel sink will be installed. Make sure that there is enough room under the vanity top for the faucet, water supply lines and drain assembly (not included). The space on the back of the vessel sink to the backsplash of the vanity should have enough distance to accommodate the desired faucet (**FIGURE 1**).
2. Please refer to template for sink cut-out. Trace the cut-out line from the template onto the vanity (this will be the cut-out line). Make sure that the cut-out line is positioned properly on the vanity (**FIGURE 2**).
3. Confirm that the template mark on the vanity lines up with the sink. Then, make a clearance hole anywhere near the cut-out line on the inside and then cut out the portion within the cut-out line (**FIGURE 3**).

**Note:** If you have a marble or stone countertop that does not have a cut-out to fit the sink, it is recommended that this be done by a professional.

4. Place the vessel sink into place. Check to make sure that the vessel sink is positioned properly on the vanity (**FIGURE 4**).
5. Apply silicone or plumber's putty to the underside outer rim of the vessel sink. Then, secure vessel firmly down and tighten drain assembly under the vanity top. Trim any excess silicone or plumber's putty off (**FIGURE 5**).

**Note:** Depending on the faucet, you may choose to attach it first before you secure the vessel sink down.

6. Connect the water supply lines to the faucet and P-trap (both are not included) to the pop-up assembly as required.
7. Turn on the water supply and correct if leaks are found.





Beauty in every detail.

Luxart® products will be covered by Foremost Groups, Inc.'s limited warranty. It is as follows: Foremost warrants its products to be free from defects in material or workmanship (Vitreous China) and 1 year (Parts and Fittings) from the date of purchase of the product original purchaser.

If inspection of this plumbing product, within 5 years (china product) or 1 year (parts and fittings) after its initial purchase, confirms that it is defective in materials or workmanship, Foremost will repair or at its option, exchange the product for a similar model. Foremost provides no warranties or guarantees beyond those in this Limited Foremost Warranty.

This limited warranty applies only to the original purchaser and installation of these products. All de-installation and re-installation and transportation costs or charges incidental to warranty services are to be borne by the owner. In no event will Foremost® be liable for the or replacement of any installation materials, including but not limited to, tiles, marble etc. Foremost will not be responsible for and this warranty does not cover and specifically excludes any liability to the purchaser or any third party for consequential or incidental damages, all which are hereby expressly disclaimed, or the extension beyond the duration of any implied warranties, including those of merchantability or fitness for an intended purpose.

This warranty does not apply to local building code compliance. Since local building considerably, the purchaser of this product should check with a local building or contractor to ensure local code compliance before installation.

Foremost shall not be responsible or liable for any failure or damage to its toilet tank trim, plumbing fittings, or china products caused by the use of either chloramines or concentration of chlorine, lime/iron sediments and/or other minerals not removed from public water during the treatment of public water supplies or caused by toilet tank type cleaners containing chlorine, calcium hypochlorite, and /or other chemicals.

This warranty is void if the product has been moved from its initial place of installation been subjected to faulty maintenance, abuse, misuse, accident, or other damages not installed in accordance with Foremost's instructions; or if it has been manner inconsistent with the product as shipped by Foremost.

NOTE: Some states or provinces do not allow the limitations on an implied warranty, and some states/provinces do not allow exclusions or limitations regarding incidental or consequential damages, so the above limitations may not apply to you. This warranty gives you rights, and you may have other rights, which vary from state to state or province to province. No person is authorized to change, add to, or creates any warranty or obligation other forth herein.

\*Effective July 1, 2023, due to an update in California law, the start date for product warranties will now be aligned with the date of delivery of the product. This change is for all Luxart products purchased on or after July 1, 2023 by California consumers. (California Legislative Information AB-2912)