

FRANCISCA

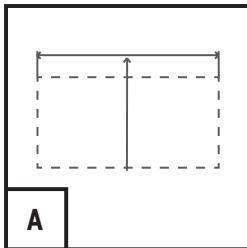
LXS10006
LXS10007
LXS10008

INSTALLATION

Drop-in Sink



INCLUDED PARTS



A Template

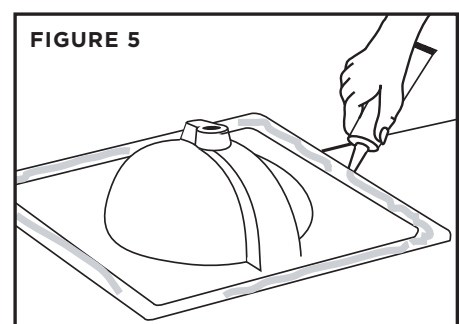
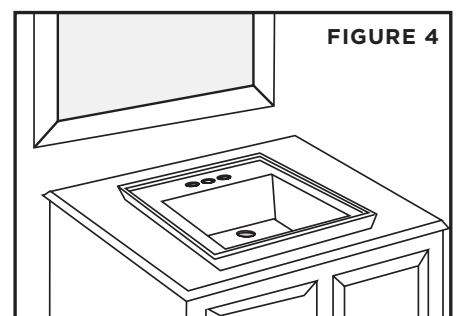
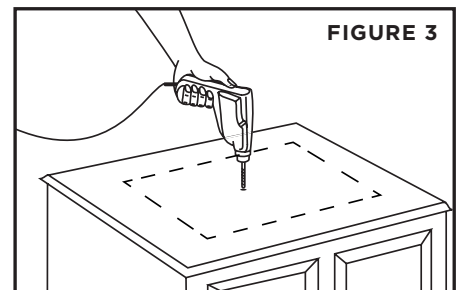
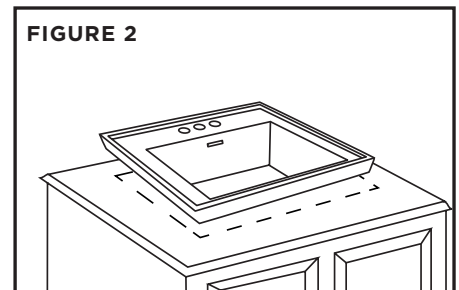
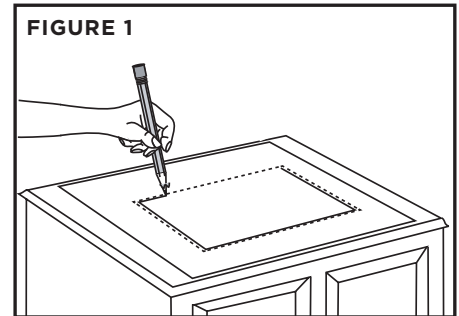
x1

INSTALLATION TIPS

Luxart suggests using a locally licensed plumber for installation.

Installation

1. Locate the proper place on the vanity top that the drop-in basin will be installed. Make sure that there is enough room under the vanity top for the faucet water supply lines, drain assembly (not included) and bottom of drop-in basin. Spacing on back of drop-in to backsplash of vanity should have enough distance to accommodate desired faucet (**FIGURE 1**).
2. The outside diameter of the drop-in hole should be cut to accommodate the drop-in basin, please refer to the template. Trace the cut-out line from the template onto the vanity (this will be the cut-out line) (**FIGURE 2**). Make sure that the cut-out line is centered on the vanity.
3. Confirm that the mark on the vanity lines up with the drop-in basin. Then make a clearance hole anywhere near the cut-out line on the inside and then cut out the portion within the cut-out line (**FIGURE 3**).
4. Place the drop-in basin into place. Check to make sure that the drop-in basin is centered on the vanity top and there is enough space for it fit into place (**FIGURE 4**).
5. Mount the faucet and drain assembly (not included) on the sink following faucet manufacturer's instructions.
6. After confirming that the drop-in basin fits into place, turn drop-in basin upside down and apply a generous portion of sealant on the underside of the rim close to the edge (**FIGURE 5**).
7. After the sealant has been applied, carefully place drop-in basin into place and press down firmly and trim any excess sealant or putty off.
8. Allow sealant to dry and then install the water supply lines and p-trap to drain assembly (not included).
9. Turn on the water supply and tighten or correct as needed.





Beauty in every detail.

Luxart® products will be covered by Foremost Groups, Inc.'s limited warranty. It is as follows: Foremost warrants its products to be free from defects in material or workmanship (Vitreous China) and 1 year (Parts and Fittings) from the date of purchase of original purchaser.

If inspection of this plumbing product, within 5 years (china product) or 1 year (fittings) after its initial purchase, confirms that it is defective in materials or workmanship, Foremost will repair or at its option, exchange the product for a similar model. Foremost provides no warranties or guarantees beyond those in this Limited Foremost

This limited warranty applies only to the original purchaser and installation of de- installation and re-installation and transportation costs or charges incidental to warranty services are to be borne by the owner. In no event will Foremost® be liable for the or replacement of any installation materials, including but not limited to, tiles, marble etc. Foremost will not be responsible for and this warranty does not cover and specifically excludes any liability to the purchaser or any third party for consequential or incidental damages, all which are hereby expressly disclaimed, or the extension beyond the duration any implied warranties, including those of merchantability or fitness for an intended purpose.

This warranty does not apply to local building code compliance. Since local building codes vary considerably, the purchaser of this product should check with a local building contractor to ensure local code compliance before installation.

Foremost shall not be responsible or liable for any failure or damage to its toilet tank trim, plumbing fittings, or china products caused by the use of either chloramines or high concentration of chlorine, lime/iron sediments and/or other minerals not removed from public water during the treatment of public water supplies or caused by toilet tank type cleaners containing chlorine, calcium hypochlorite, and /or other chemicals.

This warranty is void if the product has been moved from its initial place of installation, been subjected to faulty maintenance, abuse, misuse, accident, or other damages, was not installed in accordance with Foremost's instructions; or if it has been installed in a manner inconsistent with the product as shipped by Foremost.

NOTE: Some states or provinces do not allow the limitations on an implied warranty, and some states/provinces do not allow exclusions or limitations regarding incidental or consequential damages, so the above limitations may not apply to you. This warranty gives no rights, and you may have other rights, which vary from state to state or province to province. No person is authorized to change, add to, or create any warranty or obligation set forth herein.

**Effective July 1, 2023, due to an update in California law, the start date for product warranties will now be aligned with the date of delivery of the product. This change is for all Luxart products purchased on or after July 1, 2023 by California consumers. (California Legislative Information AB-2912)*