

Installation / Installation / Instalación

EXTREME CAUTION: Silgranit® sinks are very heavy. For personal safety, always use extra personnel for moving or installation.

INSPECTION: The manufacturer requires that the sink be thoroughly inspected for any damage prior to installation.

PRE-INSTALLATION PLANNING

This installation assumes the use of a custom cabinet and countertop design. The manufacturer recommends that a professional installer be used.

To achieve the desired finished fit and form, it is critical that the cabinet maker, cabinet installer, and countertop fabricator fully understand the consumer's requirements regarding the final installed look. A custom sink base and support system is required for installation of Luxart Silgranit® apron sinks.

Whether the sink is used for replacement or new installation, the cabinet area beneath the sink **MUST** be reinforced to provide sufficient support. A wood or metal support frame for the sink must support 400 pounds (approximate weight of sink when full and a garbage disposal installed).

Ensure you provide proper clearance for faucet, water supply lines, drain assembly, garbage disposal mounting system and the structural parts of the cabinet.

COUNTERTOP TEMPLATES ARE NOT INCLUDED and due to the unique installation requirements, we recommend that your countertop fabricator and cabinet maker reference the actual sink to be installed prior to cabinet countertop fabrication.

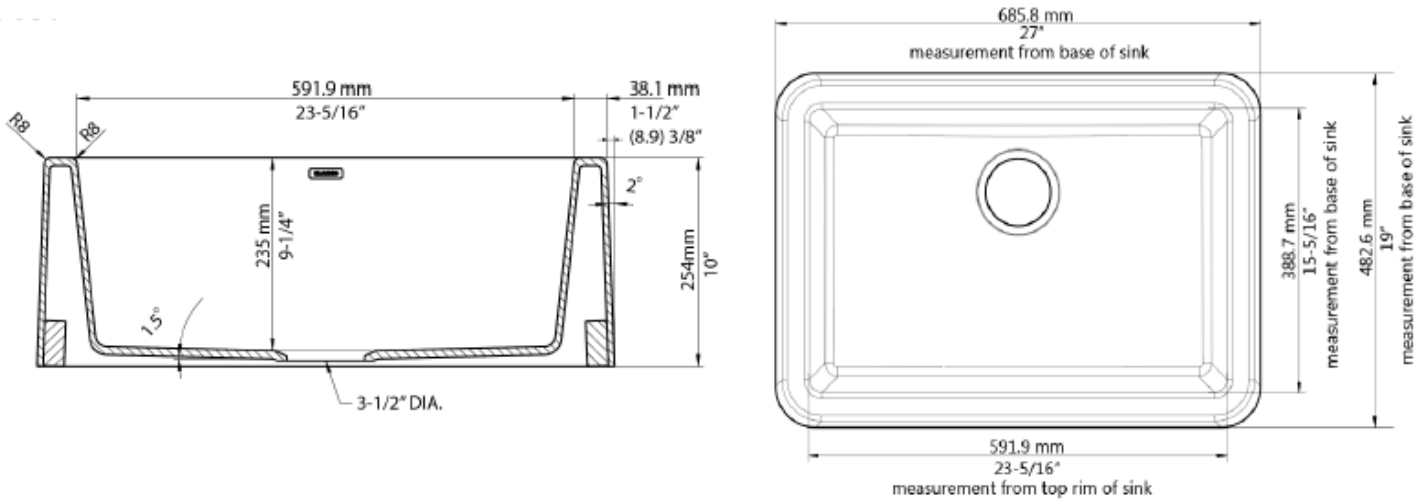
CABINET FRONT TEMPLATES ARE INCLUDED. Your cabinet maker can use these templates to create a custom cabinet cut that follows the draft of the sink.

All installation procedures must comply in strict accordance with applicable local plumbing and building codes.

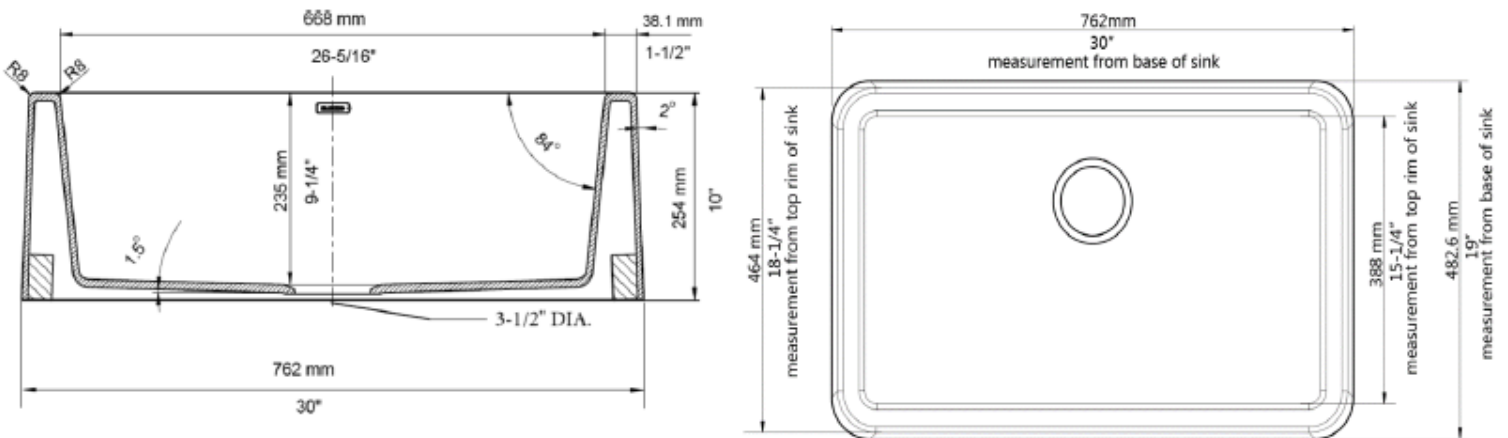


Installation / Installation / Instalación

27" Silgranit® Single Bowl Apron Front Kitchen Sink

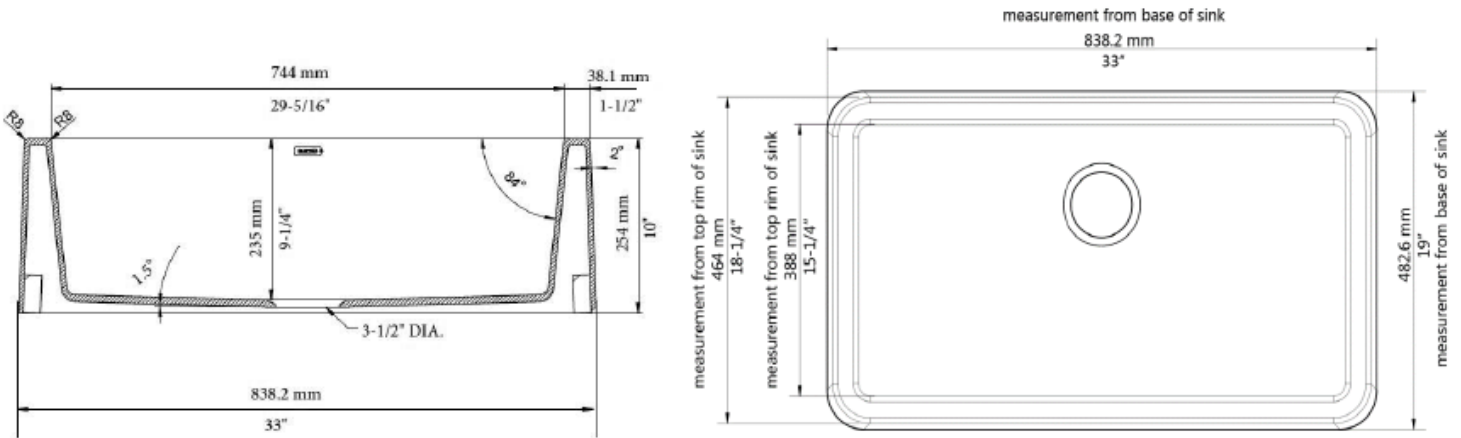


30" Silgranit® Single Bowl Apron Front Kitchen Sink

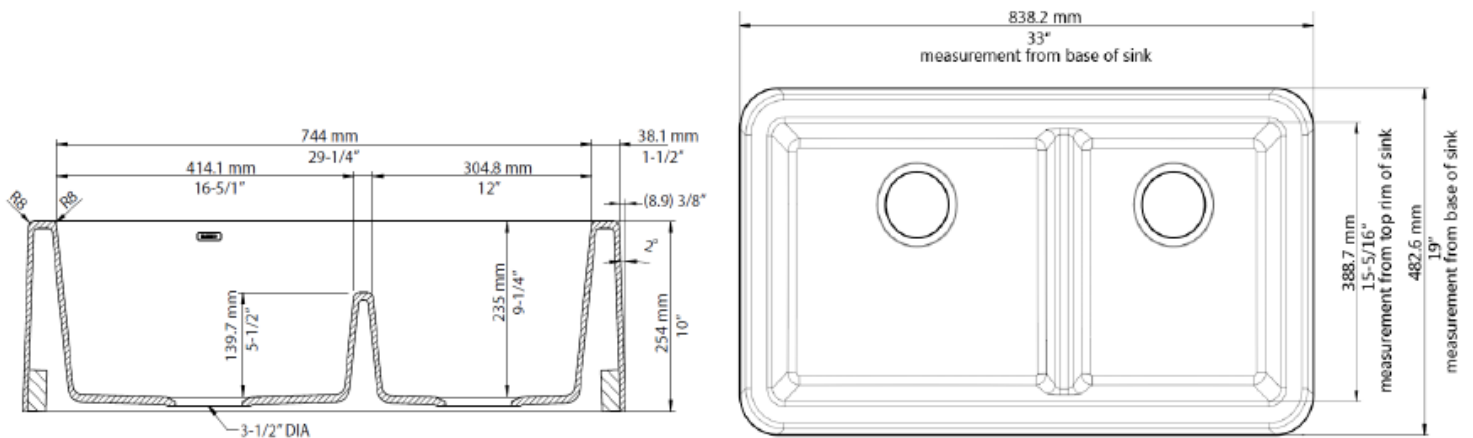


Installation / Installation / Instalación

33" Silgranit® Single Bowl Apron Front Kitchen Sink



33" Silgranit® Double Bowl 60/40 Low Divide Apron Front Kitchen Sink



Installation / Installation / Instalación

Care & Cleaning Guidelines

Cleaning

- Daily cleaning may be done with any non-abrasive cleaner (i.e. Bar Keeper's Friend, Soft Scrub, Soft Scrub with Bleach, or dishwasher soap). After every use, rinse and wipe the sink dry with a clean, soft cloth to eliminate any water spots or soap film build-ups.
- Please go to www.blancoamerica.com or www.blancocanada.com or Blanco's YouTube channel for further care and cleaning instructions.

Removing Stains and Minor Scuff Marks

Please use a mild abrasive cleanser, along with a soft scouring pad. For stubborn stains - a solution of 50% bleach, 50% water should only be used for tough, stubborn stains. Let the solution sit in the bottom of the sink for one hour then scrub and rinse well. Also, the use of Bar Keeper's Friend (directions included on bottle or can) will help remove stubborn stains. (Note: Dark colored sinks must be rinsed thoroughly with hot water).

Luster

Mineral oil applied with a damp cloth can be used to restore the luster but is typically not necessary.

Miscellaneous

To remove calcium deposits (a white ring around the bottom of your sink): use LIME AWAY or CLR cleaner. To remove adhesive labels: use rubbing alcohol. Note: Always test any stain removers in a small, non-visible location.

Some Don'ts

- DO NOT use any abrasive cleaning agents or scrub pads, such as steel wool.
- DO NOT use straight bleach.
- DO NOT use commercial alkalis, such as ammonia and/or caustic solutions.
- DO NOT use drain blocking chemicals that involve filing the sink with water.
- DO NOT use the sink for cleaning paint or grout materials.

Note: Always test any stain removers in a small, non-visible location



Luxart products manufactured by Blanco will be covered by Blanco's warranty as follows:

WARRANTY AND CLEANING INFORMATION SILGRANIT WARRANTY

BLANCO America carries a **LIMITED LIFETIME WARRANTY ON SILGRANIT®** sinks to be free of all manufacturing defects under normal use. **LIMITED SINK WARRANTY** BLANCO America will replace without charge, (excluding labor & transportation costs) any SILGRANIT® sink supplied by BLANCO America that is proven to be defective within the specified appropriate period from date of purchase, to the original owner, provided it has been used solely in an indoor residential application and installed in accordance with the BLANCO installation instructions, used and cleaned as recommended, and not damaged due to abuse, misuse, or negligence. BLANCO America reserves the right to inspect any sink reported to be defective prior to replacement of the sink. All decisions are final. Replacement cost **EXCLUDES** transportation and any labor costs for the removal or reinstallation. For installed warranty concerns, please contact BLANCO America directly for further information and proper documentation. In the event of a warranty claim, the owner will be required to provide proof of purchase—save sales receipt.

The SILGRANIT® warranty covers scratches, bubbling, thermal cracking, inconsistent color, routing imperfections, surface blemishes and warped decks. Temperatures under 536° (SILGRANIT®) do not affect these products. Temperatures over 536° are not covered. The SILGRANIT® warranty does not cover chipping, cuts and nicks, freight/shipping damage, holes drilled incorrectly, installation damage, scuff marks, using sink for cleaning paint or grout materials. This warranty supersedes all other warranties, expressed or implied. Simple daily cleaning techniques can help keep your sink looking great every day. Please review our cleaning instructions on www.blancoamerica.com for recommended cleaning materials that can be used daily. The foregoing warranties are exclusive and made only for the buyer. **NO OTHER WARRANTY, WHETHER EXPRESS, IMPLIED, OR STATUTORY, INCLUDING ANY WARRANTY OF MERCHANTABILITY OR FITNESS FOR A PARTICULAR PURPOSE SHALL BE DEEMED TO EXIST IN CONNECTION WITH ANY OF THE GOODS OR SERVICES SUPPLIED HEREUNDER, AND ANY IMPLIED WARRANTIES FOR A PERIOD GREATER THAN THE WARRANTY PERIOD CONTAINED IN BLANCO AMERICA'S LIMITED WARRANTY ARE HEREBY EXCLUDED. BLANCO AMERICA INC. SHALL NOT BE LIABLE FOR ANY INDIRECT, INCIDENTAL, SPECIAL OR CONSEQUENTIAL DAMAGES IN ANY WAY RELATED TO THE GOODS OR SERVICES SUPPLIED HEREUNDER. No employee, agent, or other person is authorized to give any warranties on behalf of BLANCO America, Inc. in addition to or different from the herein given to assume for BLANCO America Inc. any other liability in connection with any of its products except if in writing which is signed by an officer of BLANCO America, Inc. and expressly and intentionally gives such warranties or assumes such liability.**

*Effective July 1, 2023, due to an update in California law, the start date for product warranties will now be aligned with the date of delivery of the product. This change is for all Luxart products purchased on or after July 1, 2023 by California consumers. (California Legislative Information AB-2912)



GENERAL CARE & CLEANING

Daily cleaning may be done with any non-abrasive cleaner (i.e. Bar Keeper's Friend, Soft Scrub, Soft Scrub with Bleach, or dishwasher soap). After every use, rinse and wipe the sink dry with a clean, soft cloth to eliminate any water spots or soap film build-ups. Please go to www.BLANCOAMERICA.COM or our YouTube channel for care and cleaning instructions.

REMOVING STAINS AND MINOR SCUFF MARKS:

Please use a mild abrasive cleanser, along with a soft scouring pad. For stubborn stains a solution of 50% bleach, 50% water should only be used for tough, stubborn stains. Let the solution sit in the bottom of the sink for one hour; then scrub. Rinse well. Also, the use of BAR KEEPERS FRIEND (directions included on bottle or can) will help remove stubborn stains. (NOTE: Dark colored sinks must be rinsed thoroughly with hot water).

LUSTER: Mineral oil applied with a damp cloth can be used to restore the luster but is typically not necessary.

MISCELLANEOUS:

To remove Calcium Deposits (a white ring around the bottom of your sink): use LIME AWAY or CLR cleaner. To remove Adhesive Labels: use rubbing alcohol. Note: Always test any stain removers in a small, non-visible location

WHAT NOT TO USE:

- 1) Do not use any abrasive cleaning agents or scrub pads, such as Steel Wool
- 2) Straight bleach
- 3) Commercial alkalis, such as ammonia and/or caustic solutions
- 4) Drain blocking chemicals that involve filling the sink with water
- 5) Do not use the sink for cleaning paint or grout materials

Note: Always test any stain removers in a small, non-visible location

For questions or further information:

BLANCO CUSTOMER SERVICE

CALL: 1-800-451-5782

FAX: 1-800-213-1963

EMAIL: blanco@blancoamerica.com

