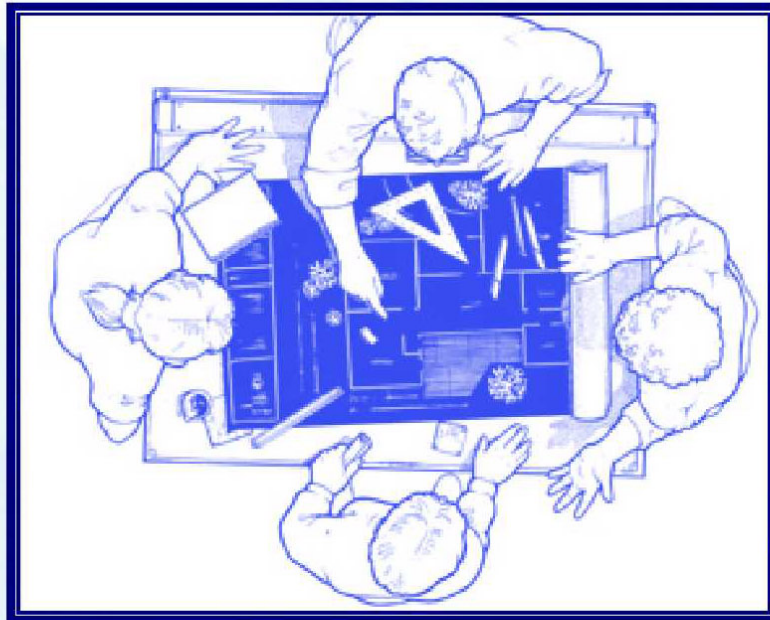


Plumbing Submittal



Submitted by

Lee Hall

11/3/2016

Hajoca

213 COMMERCE STREET
DANVILLE, VA 24541
Phone: 434 793-8111
Fax: 434 797-2301
www.hajocadanville.com

Spec#**Table of Contents**

1	1494157	AQUATIC 6036SGR-WH WHT EVERYDAY GELCOAT RH BATHTUB & SHOWER 60X34-1/2X76-1/2 W/ SMOOTH WALLS & TWIN BACK WALL SHELVES
2	1451071	AQUATIC 2603OCSMR-WH WHT EVERYDAY GELCOAT RH ABOVE FLOOR RGH BATHTUB & SHOWER 60X36X75 W/ TEX TILE WALLS TWIN BACK WALL SHELVES & ACRYLIC GRAB BAR
3	331593	AQUATIC 4272620 72X36X213/4 WHT MONTROSE II ACRYLIC TUB
4	1323215	AQUATIC 8872620-WH WHT BUILDERS CHOICE MORICE ACRYLIC DROP-IN UNIV DRAIN BATHTUB 72X42X24 W/ ACRYLIC GRAB BAR
5	1214995	AQUATIC 6472620-WH WHT BUILDERS CHOICE HIALEAH II ACRYLIC DROP-IN UNIV DRAIN BATHTUB 72X42X23-1/2

Disclaimer:

The specification sheets provided herein were written and provided by the product's manufacturer and not by Hajoca Corporation. Consequently, Hajoca Corporation cannot assume and disclaims any responsibility for errors, omissions or any misstatements in the product specifications provided herein.

6036SGWP – EVERYDAY TUB/SHOWERS

inches (mm)

60 x 34 ½ x 76 ½ (1525 x 875 x 1945) • Fax on Demand #5057

SOAKER MODEL #6036SG

WHIRLPOOL MODEL #6036SGWP

SUPERCORE TUB-SHOWER #6036SGSC



FEATURES

- Tub-shower
- Smooth wall finish
- Ergonomic backrest
- Installed acrylic grab bar
- Molded toiletry shelf
- Slip-resistant textured bottom
- Left or right hand drain
- Gelcoat surface
- 3-year limited warranty

Whirlpool Features:

- .75hp motor
- 6 adjusta-flow whirlpool jets
- Color matched or clear trim
- Pneumatic on/off control
- Advanced safety suction system

OPTIONS

- In-line heater (whirlpool models)
- Mood light (whirlpool models)
- Designer drain, waste & overflow
- Shower Door Series L0516

AQUATIC ADVANTAGE

- National distribution
- 6 manufacturing facilities
- Private fleet
- Centralized customer service
- Field support
- 24-hour fax-on-demand

COLOR & TRIM OPTIONS

Stock	Premium
Almond (C)	Black (C)
Biscuit (C)	Mexican Sand* (NA)
Bone (C)	Sand Bar* (NA)
Linen (C)	
Sterling Silver (C)	
White (C)	

C = color matched trim

NA = not applicable

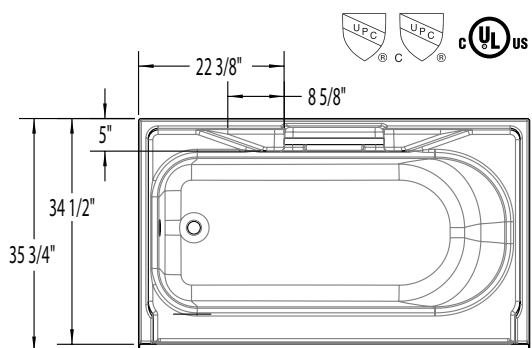
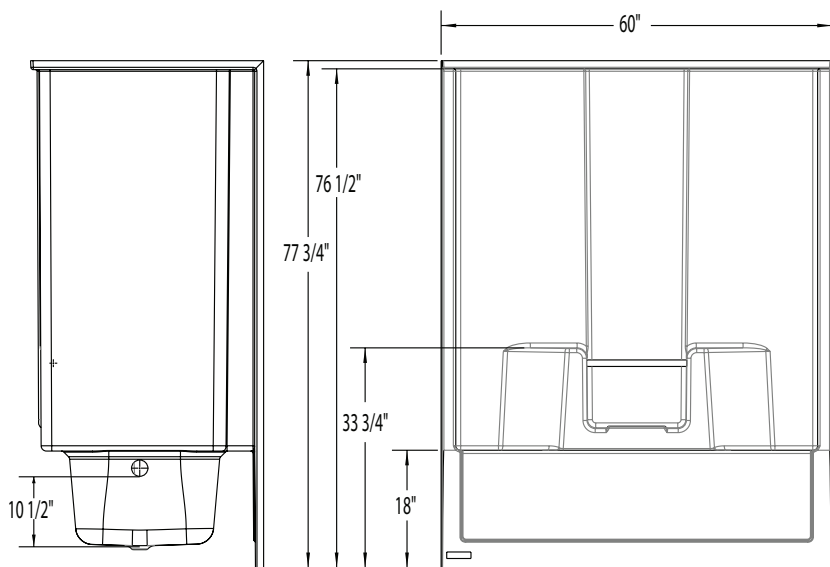
* color not available for whirlpool models

1494157



6036SGWP

60 x 34 1/2 x 76 1/2 (1525 x 875 x 1945)
inches (mm)



1494157

FEATURES lbs (kg) Dimensional Tolerance $\pm 3/8"$. Dimensions needed for site preparation should be measured from the unit. Aquatic assumes no responsibility for preparatory work.

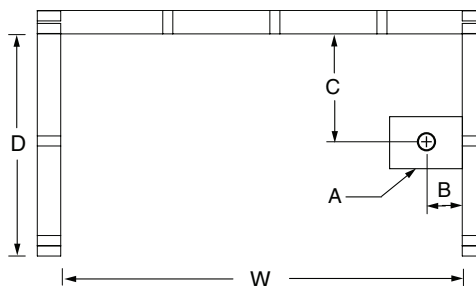
Model #	Material	Wall Finish	Jets	Motor	Controls	Drain	Net Wt.	Pkg. Wt.
Soaker #6036SG	Gelcoat	Smooth	0	-	-	LH or RH	128 (58)	133 (60)
Whirlpool #6036SGWP	Gelcoat	Smooth	6	0.75 HP	Pneumatic	LH or RH	178 (81)	183 (83)

DIMENSIONS

Specifications	inches (mm)
Width: Overall / Net	60 (1525)
Depth: Overall / Net	35 3/4 (910) / 34 1/2 (875)
Height: Overall / Net	77 3/4 (1975) / 76 1/2 (1945)
Enclosure Opening	55 1/2 (1410)
Skirt Height	18 (455)
Drain Rough-In (from Back Wall)	16 3/4 (425)
Drain Rough-In (from Side Wall)	2 3/16 (55)
Drain: Diameter / Clearance	2 (50) / 2 3/4 (70)

FRAMING DIMENSIONS inches (mm)

Type	D Depth	W Width	H Height	A	B	C
Alcove	35 3/4 (910)	60 1/8 (1525)	-	Box Out	2 3/16 (55)	16 3/4 (425)

**SUMP DATA**

Top of Drain to Bottom of Overflow	Capacity to Overflow gal (ltr)	Min. Operating Capacity gal (ltr)	WIDTH @ centerline		DEPTH @ centerline	
			Top	Bottom	Top	Bottom
10 1/2 (265)	40 (151)	35 (132)	53 1/4 (1355)	46 (1170)	22 3/4 (580)	21 (535)



2603OCS – EVERYDAY TUB/SHOWERS

inches (mm)

60 x 36 x 72 (1525 x 915 x 1830) • Fax on Demand #1072



FEATURES

- Tub-shower
- Textured tile finish
- Ergonomic backrest
- Oval bathing well
- Installed acrylic grab bar
- Molded toiletry shelves
- Slip-resistant textured bottom
- Left or right hand drain
- Gelcoat surface
- 5-year limited warranty

OPTIONS

- Grab bar reinforcement
- Factory installed assisted care grab bars
- Designer drain, waste & overflow
- Shower Door Series L0516

1451071

AQUATIC ADVANTAGE

- National distribution
- 5 manufacturing facilities
- Private fleet
- Centralized customer service
- Field support
- 24-hour fax-on-demand

COLOR OPTIONS

Stock	Premium
Almond	Black
Biscuit	Mexican Sand
Bone	Sand Bar
Linen	Sterling Silver
White	

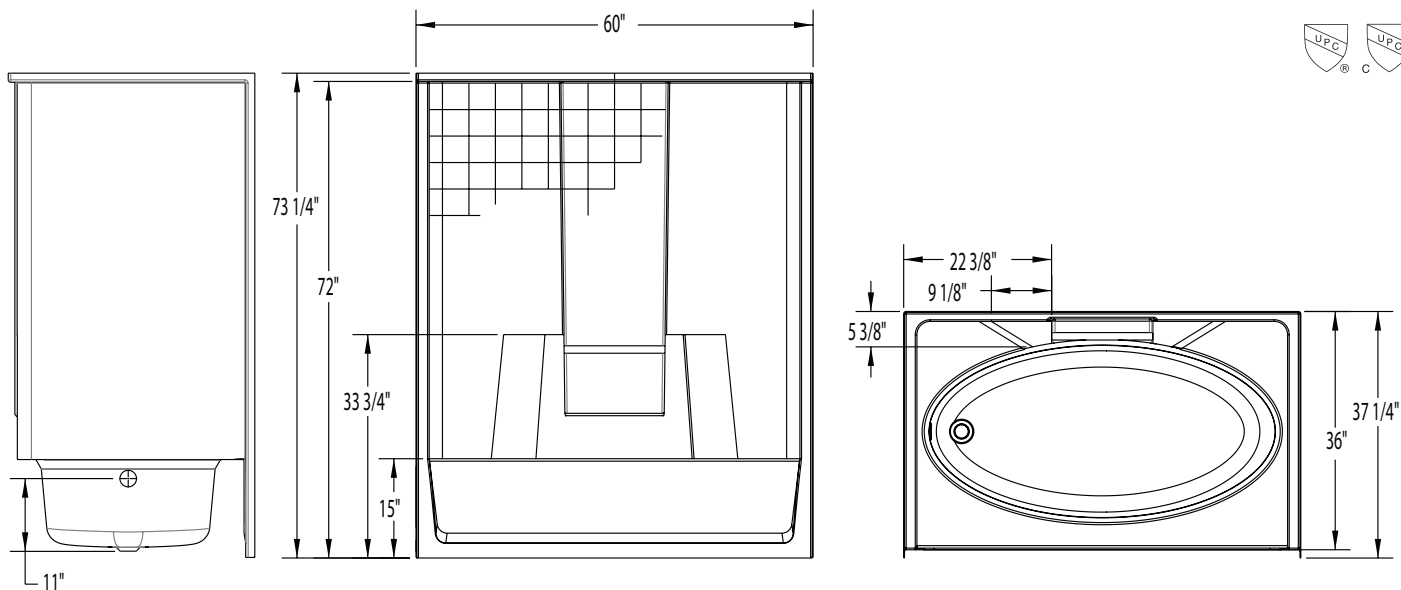


2603OCS

60 x 36 x 72 (1525 x 915 x 1830)
inches (mm)



1451071



FEATURES lbs (kg) Dimensional Tolerance $\pm 3/8"$. Dimensions needed for site preparation should be measured from the unit. Aquatic assumes no responsibility for preparatory work.

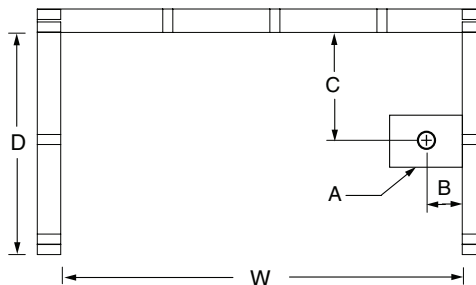
Model #	Material	Wall Finish	Jets	Motor	Controls	Drain	Net Wt.	Pkg. Wt.
Tub-Shower #2603OCS	Gelcoat	Textured Tile	-	-	-	LH or RH	134 (61)	139 (63)

DIMENSIONS

Specifications	inches (mm)
Width: Overall / Net	60 (1525)
Depth: Overall / Net	37 1/4 (945) / 36 (915)
Height: Overall / Net	73 1/4 (1860) / 72 (1830)
Enclosure Opening	56 (1420)
Skirt Height	15 (380)
Drain Rough-In (from Back Wall)	18 1/8 (460)
Drain Rough-In (from Side Wall)	2 3/4 (70)
Drain: Diameter / Clearance	2 (50) / 1 (25)

FRAMING DIMENSIONS inches (mm)

Type	D Depth	W Width	H Height	A	B	C
Alcove	37 1/4 (945)	60 1/8 (1525)	-	Box Out	2 3/4 (70)	18 1/8 (460)

**SUMP DATA**

Top of Drain to Bottom of Overflow	Capacity to Overflow gal (ltr)	Min. Operating Capacity gal (ltr)	WIDTH @ centerline		DEPTH @ centerline	
			Top	Bottom	Top	Bottom
9 1/8 (230)	58 (220)	-	52 (1320)	48 1/2 (1230)	28 (710)	25 1/2 (650)



MONTROSE II – BUILDERS' CHOICE

inches (mm)

72 x 36 x 21 ¾ (1830 x 915 x 550) • Fax on Demand #5039

SOAKER MODEL #4272620

WHIRLPOOL MODEL #4272621



AQUATIC ADVANTAGE

- National distribution
- 5 manufacturing facilities
- Private fleet
- Centralized customer service
- Field support
- 24-hour fax-on-demand

COLOR & TRIM OPTIONS

Stock

- Almond (C)
- Bone (C)
- Linen/Biscuit (C)
- Sterling Silver (C)
- White (C)

C = Color Matched Trim

FEATURES

- 8 hydrotherapy jets
- .75 hp pump
- Advanced safety suction system
- Bath-side on/off button
- Acrylic grab bars
- Sculpted armrests
- Slip-resistant floor
- Universal drain
- Lucite cast acrylic surface
- Limited 10-year warranty

OPTIONS

- Comfort pillow: Biscuit, Black, White
- 1.5kW inline maintenance heater
- Grab bar(s): Chrome, Oil Rubbed Bronze, Polished Brass, Brushed Nickel, Color matched (Biscuit, White, Acrylic)
- Cable drive waste & overflow: Chrome, Oil Rubbed Bronze, Polished Brass, Brushed Nickel, Color Matched (Biscuit, Bone, White)
- Lift & turn waste & overflow: Chrome, Oil Rubbed Bronze, Polished Brass, Brushed Nickel
- Tile flange
- Acrylic skirt: Color Matched

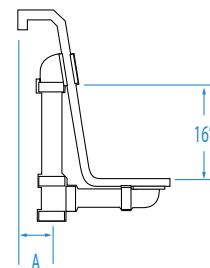
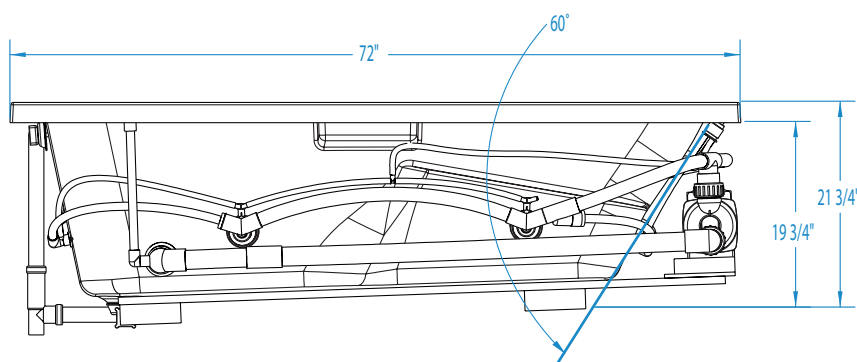
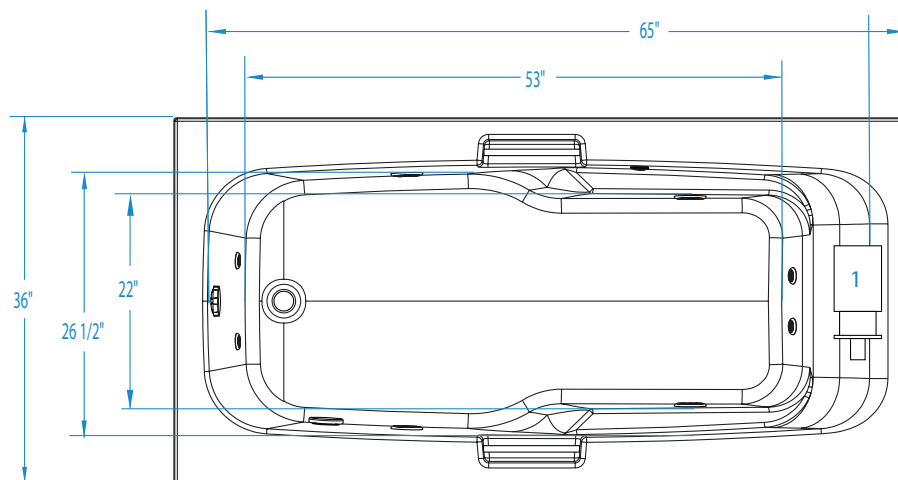
331593



AQUATIC

Where Inspiration Takes Shape



MONTROSE II72 x 36 x 21 3/4 (1830 x 915 x 550)
inches (mm)

331593

FEATURES lbs (kg) Dimensional Tolerance $\pm 3/8"$. Dimensions needed for site preparation should be measured from the unit. Aquatic assumes no responsibility for preparatory work.

Type and Model #	Material	Jets	Pump	Heater	Controls	Drain	Pkg. Wt.
Soaker #4272620	Acrylic	0	–	–	–	Universal	122 (55)
Whirlpool #4272621	Acrylic	8	0.75 HP	1.5kW inline (optional)	Pneumatic	Universal	172 (78)

DIMENSIONS inches (mm)

Width Overall / Net	Depth Overall / Net	Height Overall / Net	Skirt Height
72 (1830)	36 (915)	19 3/4 (500)	–

SUMP DATA inches (mm)

Capacity to Overflow gal (ltr)	Min. Operating Capacity gal (ltr)	WIDTH @ centerline		DEPTH @ centerline	
		Top	Bottom	Top	Bottom
80 (303)	60 (227)	65 (1650)	53 (1345)	26 1/2 (675)	22 (560)

PLUMBING DIMENSIONS inches (mm)

A	Drain to Overflow	Drain Diameter / Clearance
3 (75)	16 (405)	2 (50) / 1 3/4 (45)

ELECTRICAL DATA

Component	Specification	Requirement
Pump	.75 HP; 5 AMP; 120 V	15 AMP; 120V, separate circuit; Class A GFCI

NOTES:

1) Where applicable, utilize cut-out templates packed with unit for deck cutouts.

2) 16 x 20 (405 x 510) minimum access required at pump/blower location(s).



MORICE – BUILDERS' CHOICE

inches (mm)

72 x 42 x 24 (1830 x 1070 x 610) • Fax on Demand #5127

SOAKER MODEL #8872620

WHIRLPOOL MODEL #8872621



AQUATIC ADVANTAGE

- National distribution
- 6 manufacturing facilities
- Private fleet
- Centralized customer service
- Field support
- 24-hour fax-on-demand

COLOR & TRIM OPTIONS

Stock
Almond (C)
Bone (C)
Linen/Biscuit (C)
Sterling Silver (C)
White (C)

C = Color Matched Trim

FEATURES

- 8 hydrotherapy jets
- .75 hp pump
- Advanced safety suction system
- Bath-side on/off button
- Acrylic grab bar
- Sculpted armrests
- Slip-resistant floor
- Universal drain
- Lucite cast acrylic surface
- Limited 10-year warranty

OPTIONS

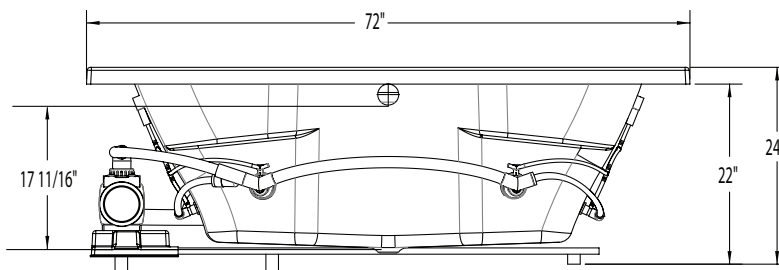
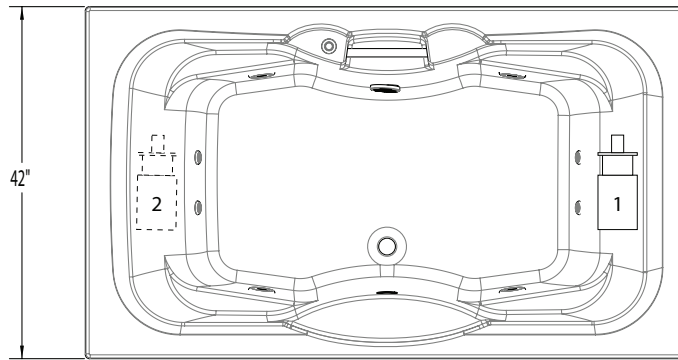
- Comfort pillow: Biscuit, Black, White
- 1.5kW inline maintenance heater
- Grab bar(s): Chrome, Oil Rubbed Bronze, Polished Brass, Brushed Nickel, Color matched (Biscuit, White, Clear)
- Cable drive waste & overflow: Chrome, Oil Rubbed Bronze, Polished Brass, Brushed Nickel, Color Matched (Biscuit, Bone, White)
- Lift & turn waste & overflow: Chrome, Oil Rubbed Bronze, Polished Brass, Brushed Nickel
- Tile flange
- Optional pump location
- Acrylic skirt: Color Matched

1323215



MORICE

72 x 42 x 24 (1830 x 1070 x 610)
inches (mm)



FEATURES lbs (kg) Dimensional Tolerance $\pm 3/8"$. Dimensions needed for site preparation should be measured from the unit. Aquatic assumes no responsibility for preparatory work.

Type and Model #	Material	Jets	Pump	Heater	Controls	Drain	Pkg. Wt.
Soaker #8872620	Acrylic	0	-	-	-	Center Front	117 (53)
Whirlpool #8872621	Acrylic	8	0.75 HP	1.5kW inline (optional)	Pneumatic	Center Front	135 (61)

DIMENSIONS inches (mm)

Width Overall / Net	Depth Overall / Net	Height Overall / Net	Skirt Height
72 (1830)	42 (1065)	24 (610)	-

SUMP DATA inches (mm)

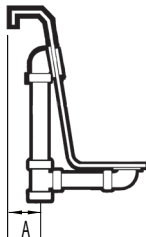
Capacity to Overflow gal (ltr)	Min. Operating Capacity gal (ltr)	WIDTH @ centerline		DEPTH @ centerline	
		Top	Bottom	Top	Bottom
85 (322)	67 (254)	62 1/4 (1580)	43 3/16 (1095)	27 1/4 (690)	22 5/8 (575)

PLUMBING DIMENSIONS inches (mm)

A	Drain to Overflow	Drain Diameter / Clearance
13 3/8 (340)	17 1 1/16 (450)	2 (50) / 1 1/2 (40)

ELECTRICAL DATA

Component	Specification	Requirement
Pump	.75 HP; 5 AMP; 120 V	15 AMP; 120V, separate circuit; Class A GFCI



NOTES:

1) Where applicable, utilize cut-out templates packed with unit for deck cutouts.

2) 16 x 20 (405 x 510) minimum access required at pump/blower location(s).

HIALEAH II – BUILDERS' CHOICE

inches (mm)

72 ¼ x 42 ¼ x 23 ⅞ (1835 x 1075 x 605) • Fax on Demand #5048

SOAKER MODEL #6472620

WHIRLPOOL MODEL #6472621



AQUATIC ADVANTAGE

- National distribution
- 5 manufacturing facilities
- Private fleet
- Centralized customer service
- Field support
- 24-hour fax-on-demand

COLOR & TRIM OPTIONS

Stock

- Almond (C)
- Bone (C)
- Linen/Biscuit (C)
- Sterling Silver (C)
- White (C)

C = Color Matched Trim

FEATURES

- 8 hydrotherapy jets
- .75 hp pump
- Advanced safety suction system
- Bath-side on/off button
- Sculpted armrests
- Slip-resistant floor
- Universal drain
- Lucite cast acrylic surface
- Limited 10-year warranty

OPTIONS

- Comfort pillow:
Biscuit, Black, White
- 1.5kW inline maintenance heater
- Bolt-on grab bar(s):
Chrome, Oil-Rubbed Bronze,
Polished Brass, Brushed Nickel,
Color Matched (Biscuit, White)
- Cable drive waste & overflow:
Chrome, Oil Rubbed Bronze,
Polished Brass, Brushed Nickel,
Color Matched (Biscuit,
Bone, White)
- Lift & turn waste & overflow:
Chrome, Oil Rubbed Bronze,
Polished Brass, Brushed Nickel
- Tile flange
- Optional pump location
- Acrylic skirt: Color Matched

1214995

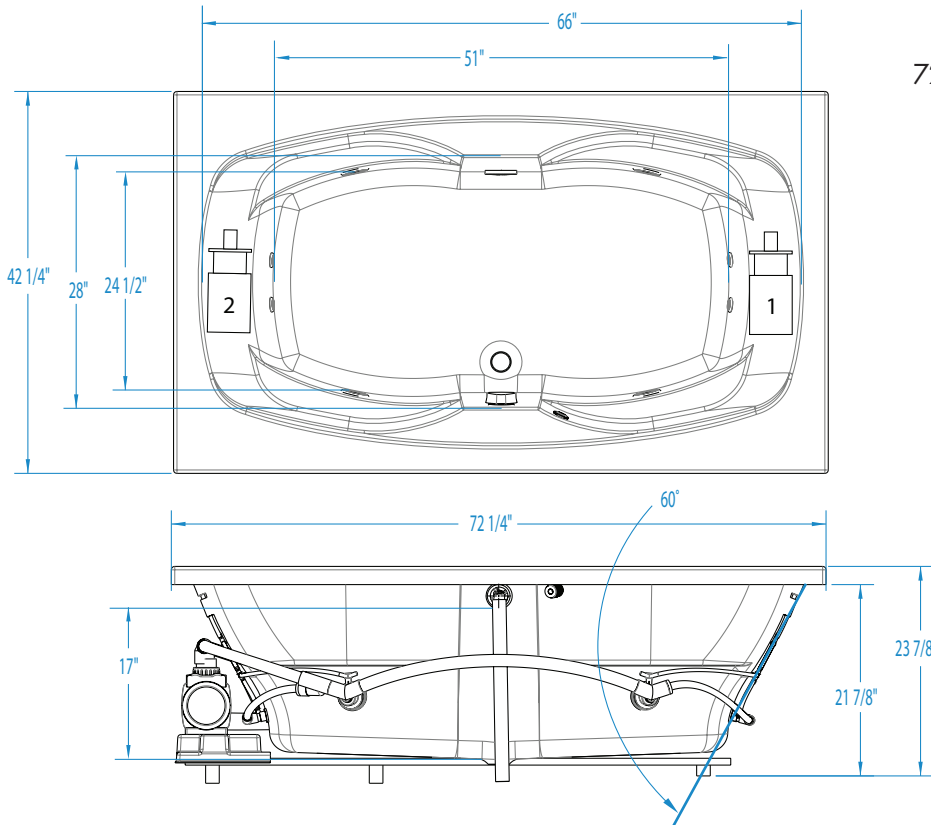


Two Person Bath



HIALEAH II

72 1/4 x 42 1/4 x 23 7/8 (1835 x 1075 x 605)
inches (mm)



1214995

FEATURES lbs (kg) Dimensional Tolerance $\pm 3/8"$. Dimensions needed for site preparation should be measured from the unit. Aquatic assumes no responsibility for preparatory work.

Type and Model #	Material	Jets	Pump	Heater	Controls	Drain	Pkg. Wt.
Soaker #6472620	Acrylic	0	–	–	–	Universal	127 (58)
Whirlpool #6472621	Acrylic	8	0.75 HP	1.5kW inline (optional)	Pneumatic	Universal	183 (83)

DIMENSIONS inches (mm)

Width Overall / Net	Depth Overall / Net	Height Overall / Net	Skirt Height
72 1/4 (1835)	42 1/4 (1070)	23 7/8 (605)	–

SUMP DATA inches (mm)

Capacity to Overflow gal (ltr)	Min. Operating Capacity gal (ltr)	WIDTH @ centerline		DEPTH @ centerline	
		Top	Bottom	Top	Bottom
72 (273)	47 (178)	66 (1675)	51 (1295)	28 (710)	24 1/2 (620)

PLUMBING DIMENSIONS inches (mm)

A	Drain to Overflow	Drain Diameter / Clearance
5 3/4 (145)	17 (430)	2 (50) / 1 1/4 (30)

ELECTRICAL DATA

Component	Specification	Requirement
Pump	.75 HP; 5 AMP; 120 V	15 AMP; 120V, separate circuit; Class A GFCI

NOTES:

1) Where applicable, utilize cut-out templates packed with unit for deck cutouts.

2) 16 x 20 (405 x 510) minimum access required at pump/blower location(s).

