

LEGEND:
GR: Painted Green
EG: Electro-Galvanized

PG: Pre-Galvanized
AL: Aluminum
HG: Hot Dipped Galvanized

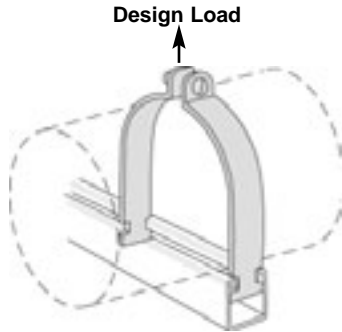
PL: Plain
SS: Stainless Steel
ZD: Zinc Dichromate



SECTION 7 – SPECIALTY STRUT

AS 1100 SS/ZD RIGID STEEL CONDUIT CLAMPS

Also For IMC and GRC.



Discount Code A						Per 100 Pieces	
Part No.	Size	O.D. Size	Load Rating	Std. Pkg.	Wt.	SS	ZD
AS 1100	1/2"	0.840	400	100	11	\$770.00	\$335.50
AS 1100	3/4"	1.050	600	100	15	\$943.80	\$355.30
AS 1100	1"	1.315	600	100	17	\$1,017.50	\$402.60
AS 1100	1 1/4"	1.660	600	100	19	\$1,091.20	\$382.80
AS 1100	1 1/2"	1.900	800	50	29	\$1,658.80	\$401.50
AS 1100	2"	2.375	800	50	34	\$1,815.00	\$421.30
AS 1100	2 1/2"	2.875	800	50	40	\$1,980.00	\$507.09
AS 1100	3"	3.500	800	50	47	\$2,153.80	\$562.10
AS 1100	3 1/2"	4.000	1000	25	62	\$2,997.50	\$897.60
AS 1100	4"	4.500	1000	25	67	\$3,208.70	\$928.40
AS 1100	5"	5.563	1000	25	80	\$3,593.70	\$1,645.60
AS 1100	6"	6.625	1000	25	102	\$6,875.00	\$1,771.00
AS 1100	8"	8.625	1000	25	130	\$8,341.30	\$1,833.70
AS 1100	10"	10.750	1000	10	143	\$12,008.70	\$2,200.00

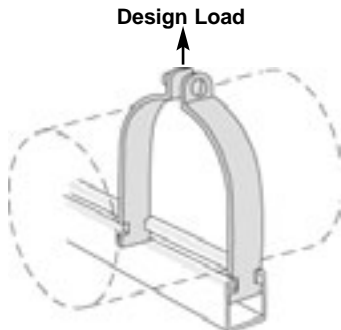
SS - Type 304 Stainless.

This item sold in full box quantities.

Hot Dipped Galvanized and Aluminum available upon request.

AS 1100 SS/ZD PRE-ASSEMBLED RIGID STEEL CONDUIT AND PIPE CLAMPS

Also For IMC and GRC.



Discount Code A						Per 100 Pieces	
Part No.	Size	O.D. Size	Load Rating	Std. Pkg.	Wt.	SS	ZD
AS 1100 AS	1/2"	0.840	400	100	11	\$797.50	\$358.60
AS 1100 AS	3/4"	1.050	600	100	15	\$971.30	\$378.40
AS 1100 AS	1"	1.315	600	100	17	\$1,045.00	\$398.20
AS 1100 AS	1 1/4"	1.660	600	100	19	\$1,118.70	\$405.90
AS 1100 AS	1 1/2"	1.900	800	50	29	\$1,686.30	\$424.60
AS 1100 AS	2"	2.375	800	50	34	\$1,842.50	\$444.40
AS 1100 AS	2 1/2"	2.875	800	50	40	\$2,007.50	\$530.20
AS 1100 AS	3"	3.500	800	50	47	\$2,181.30	\$585.20
AS 1100 AS	3 1/2"	4.000	1000	25	62	\$3,025.00	\$920.70
AS 1100 AS	4"	4.500	1000	25	67	\$3,236.20	\$951.50
AS 1100 AS	5"	5.563	1000	25	80	\$3,621.20	\$1,669.80
AS 1100 AS	6"	6.625	1000	25	102	\$6,902.50	\$1,794.10
AS 1100 AS	8"	8.625	1000	25	130	\$8,368.80	\$1,666.70
AS 1100 AS	10"	10.750	1000	10	143	\$12,036.20	\$2,223.10

SS - Type 304 Stainless.

This item sold in full box quantities.

Hot Dipped Galvanized and Aluminum available upon request.

CHANNEL

NUTS/HARDWARE

FITTINGS

PIPE/CONDUIT SUPPORTS

KLO-SHURE®

CONCRETE INSERTS

SPECIALTY STRUT

TECHNICAL DATA