

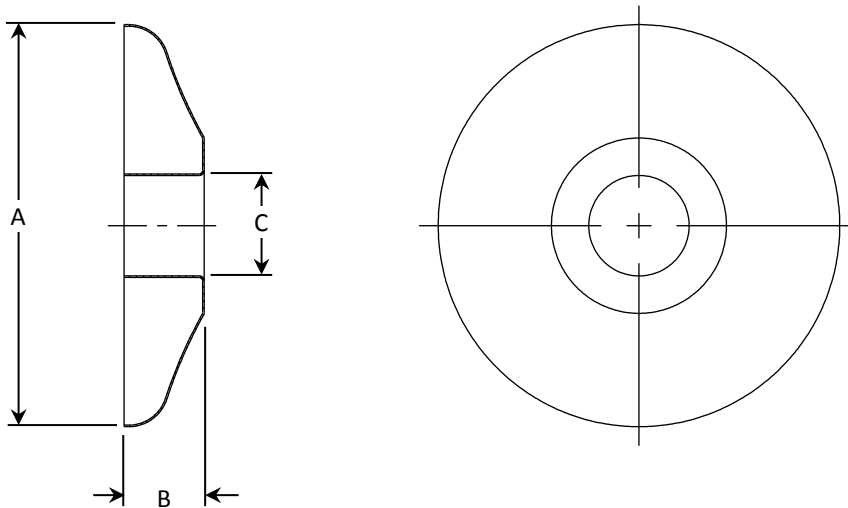
For Residential and Commercial Applications

Job Name		Engineer / Architect	
Job Location		Wholesaler	
Submittal Date		Contractor	

649 Stainless Steel Shallow Flange – 5/8” OD Tube

Design Features:

- **Attractively conceals** holes in the floor or wall after rough-ins
- **Easy to install** – fits over 5/8” OD tube (1/2” nominal)
- **Internal tabs secure flange** to various tubing: copper, steel, CPVC, and PEX



CONNECTOR MATERIAL SPECIFICATIONS	
<i>Escutcheon</i>	<i>Stainless steel</i>

PART DIMENSIONS (Inches)			
<i>Model</i>	<i>DIA. A</i>	<i>DIM. B</i>	<i>DIA. C</i>
649	2.50	.50	.625

Part Listing:



649

Stainless steel shallow flange – fits over 5/8” OD tube (1/2” nom)

This specification and all information contained herein is the confidential and exclusive property of BrassCraft Manufacturing, and shall not be disclosed to others without the written consent of BrassCraft Mfg. This specification must be returned to BrassCraft Mfg if requested.

