

# SILGRANIT®

## Double Bowl 60/40 Offset Dual Mount

# LUXART®

### Product Specifications

---

#### MODELS

- LX440215 Double Bowl, 9-1/2" & 8" bowl depths, ANTHRACITE
- LX440213 Double Bowl, 9-1/2" & 8" bowl depths, CAFÉ BROWN
- LX440216 Double Bowl, 9-1/2" & 8" bowl depths, WHITE
- LX440217 Double Bowl, 9-1/2" & 8" bowl depths, BISCUIT
- LX440214 Double Bowl, 9-1/2" & 8" bowl depths, METALLIC GRAY
- LX441216 Double Bowl, 9-1/2" & 8" bowl depths, BISCOTTI
- LX441283 Double Bowl, 9-1/2" & 8" bowl depths, TRUFFLE
- LX441465 Double Bowl, 9-1/2" & 8" bowl depths, CINDER



Model LX440215 shown in ANTHRACITE  
*\* basket strainer not included*

#### FEATURES

- Required outside cabinet: 33" (drop-in), 36" (undermount)
- 80% solid granite
- Heat resistant up to 536°F
- Unsurpassed cleanability backed by industry leading 7 patents!
- Resistant to scratches, stains and all household acids and alkali solutions
- Template provided
- Undermount clips NOT included
- 1/2" deck thickness
- Versatile dual deck design can be installed as a drop-in or undermount
- Limited lifetime warranty

#### OPTIONAL ACCESORIES

- Celcon Disposal Flange with Strainer/Stopper: LX125
- Celcon Basket Strainer: LX105

#### CODE/STANDARDS COMPLIANCE

ANSI Z124.6-97  
IAPMO/UPC listed

#### NOMINAL DIMENSIONS

OVERALL	CUTOUT SIZE	BOWL DEPTH		DRAIN DIAMETER
		LEFT	RIGHT	
33"X22"	32-1/4"x21-1/4"	9-1/2"	8"	3-1/2"

DFX cutout templates available on our website

All dimensions listed are nominal. Luxart® reserves the right to make product and material changes at any time without notice.



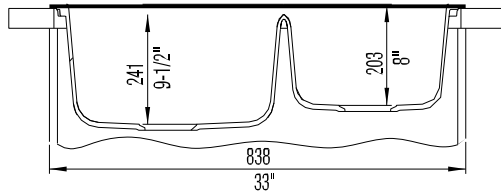
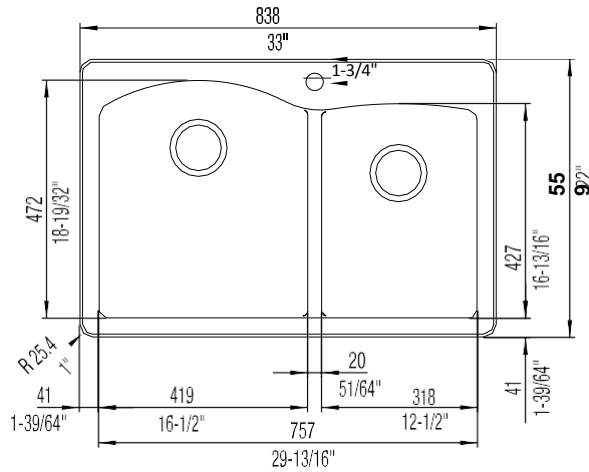
Contact your sales representative for more information or visit our website at [luxartcollection.com](http://luxartcollection.com)

SILGRANIT®

# Double Bowl 60/40 Offset Dual Mount

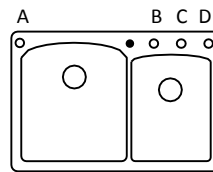
LUXART®

## Product Specifications



### KNOCKOUT HOLE LOCATIONS

Pre-drilled for single hole faucet.



Contact your sales representative for more information or visit our website at [luxartcollection.com](http://luxartcollection.com)