

Valve Only Trim

Garniture robinet seulement
Pieza exterior para válvula

Product Specifications

LUXART®



APPLICABLE STANDARDS/CODES

Specified model meets or exceeds the following:

NORMES ET CODES APPLICABLES

Le modèle spécifié est conforme aux normes suivantes ou les dépasse:

NORMAS Y ESTÁNDARES APLICABLES

El modelo especificado reúne o sobrepasa las siguientes condiciones

- ASME A112.18.1/CSA B125.1
- IAPMO/cUPC

HEIRESS®

HR516TLSH-CP
HR516TLSH-BN
HR516TLSH-ORB
HR516TLSH-PN

FEATURES

- Requires 401V Rough-In Valve
- Coordinates with Heiress Suite
- Metal Cross Handle
- Includes: L510TLSH Valve Only Trim, HRTSCH Cross Handle
- 100% Factory Pressure Tested

CARACTÉRISTIQUES

- Valve de robinetterie brute 401V requise
- Coordonné avec l'ensemble Heiress
- Poignée croix en métal
- Inclut: L510TLSH garniture robinet seulement, HRTSCH poignée croix
- Pression vérifiée en usine- 100%

CARACTERÍSTICAS

- Válvula enfoscada 401V requerida
- Coordina con la suite de Heiress
- Manija de cruz de metal
- Incluye: L510TLSH pieza exterior para válvula, HRTSCH manija de cruz
- Probado en fábrica bajo presión al 100%

AVAILABLE FINISHES / FINIS OFFERTS / DISTINTOS ACABADOS:

- Polished Chrome / Chrome poli / Cromo lustrado (CP)
- PVD Brushed Nickel / PVD Nickel brossé / PVD Níquel cepillado (BN)
- Oil Rubbed Bronze / Bronze poncé à l'huile / Bronce lustrado al aceite (ORB)
- PVD Polished Nickel / PVD Nickel poli / PVD Níquel lustrado (PN)



Contact your sales representative for more information or visit our website at luxartcollection.com

Valve Only Trim

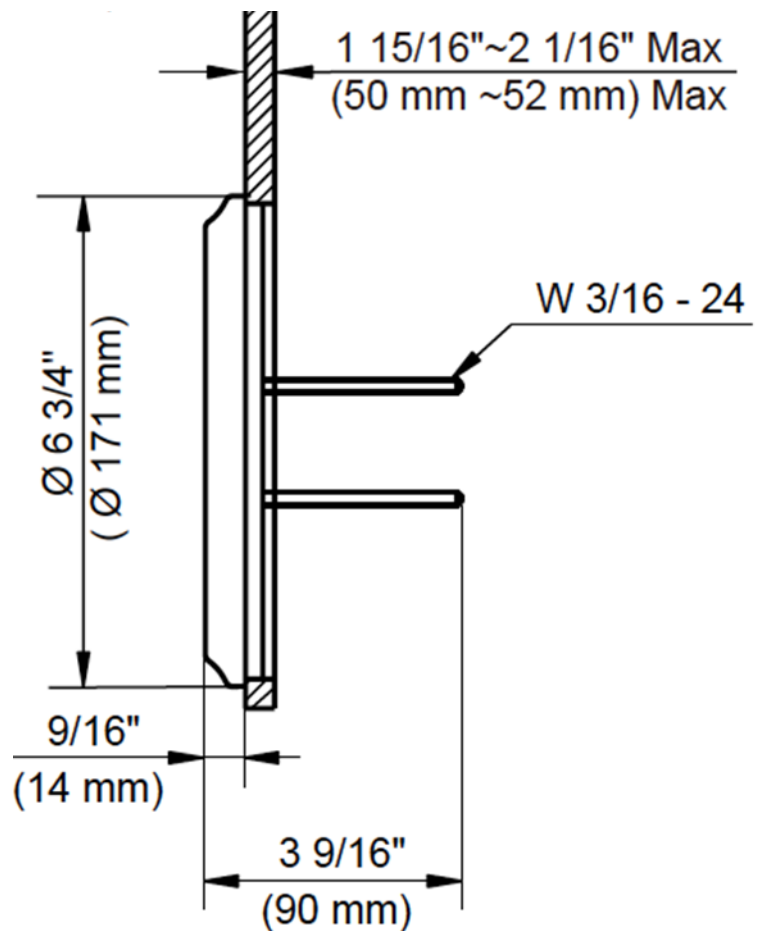
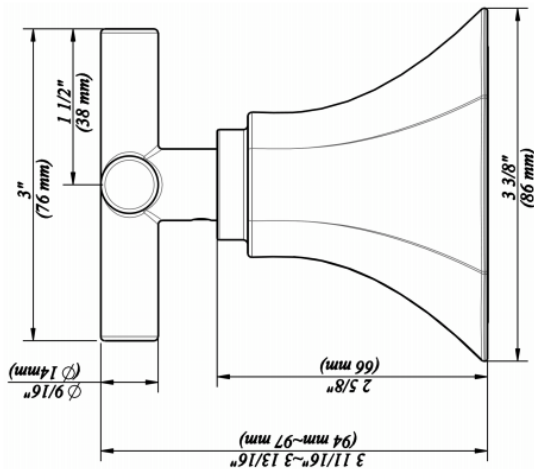
Garniture robinet seulement
Pieza exterior para válvula

Product Specifications

LUXART®

HEIRESS®

HR516TLSH-CP
HR516TLSH-BN
HR516TLSH-ORB
HR516TLSH-PN



Contact your sales representative for more information or visit our website at luxartcollection.com