

# Thermal Expansion Tanks, In-Line

## Product Specifications



### PRODUCT FEATURES

- For use in Closed, Potable Water Systems to Control Pressure Build-up
- Stainless Steel System Connection
- Heavy Duty Butyl Diaphragm
- Polypropylene Tank Liner
- Projection Welded Air Valve



✓ To Submit	Part No.	Description	Size
	MLT5	In-Line Thermal Expansion Tank, 1 Year Warranty	2.0 gallon
	MLST5	In-Line Thermal Expansion Tank, 5 Year Warranty	2.0 gallon
	MLT12	In-Line Thermal Expansion Tank, 1 Year Warranty	4.4 gallon
	MLST12	In-Line Thermal Expansion Tank, 5 Year Warranty	4.4 gallon

**Warranty:** See warranty information for more details.

All dimensions listed are nominal. MAINLINE® reserves the right to make product and material changes at any time without notice.



Contact your sales representative for more information or visit our website at [mainlinecollection.com](http://mainlinecollection.com)

# Thermal Expansion Tanks, In-Line

## Product Specifications



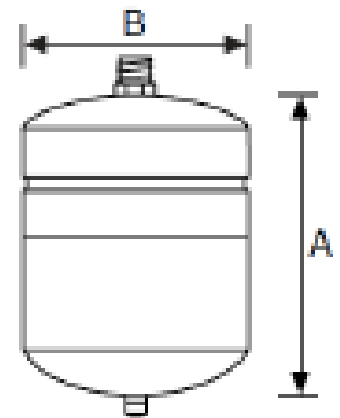
### IN-LINE MODELS

Part	Lit	Gal	Max Accept Factor	A Height		B Diameter		Sys Conn. (NPTM)	Ship Wt.	
				Mm	Ins	Mm	Ins		Kg	lbs
MLST5	8	2.0	0.45	330	13	203	8	3/4	2.0	5
MLST12	17	4.4	0.73	381	15	279	11	3/4	4.0	9
MLT5	8	2.0	0.45	330	13	203	8	3/4	2.0	5
MLT12	17	4.4	0.73	381	15	279	11	3/4	4.0	9

All dimensions and weights are approximate

### SPECIFICATIONS

Description	Standard Factory Pre-charge	System Connection	Diaphragm	Liner Material
Standard Construction	40 PSIG (2.8 bar)	Stainless Steel	Butyl	Polypropylene



### MAX OPERATING CONDITIONS

Operating Temperature	Working Pressure
200°F (93°C)	150 PSIG (10.3 bar)

Complies with Low Lead Plumbing Law

**Warranty:** See warranty information for more details.

All dimensions listed are nominal. MAINLINE® reserves the right to make product and material changes at any time without notice.



Contact your sales representative for more information or visit our website at [mainlinecollection.com](http://mainlinecollection.com)