

Finale® 3/4 HP Food Waste Disposer

Product Specifications

LUXART®

PRODUCT FEATURES

- Snap & Lock® 3-bolt universal mount system
- High-speed 2700 RPM permanent magnet motor produces more power per pound
- Stainless steel, rust free grinding components
- Longest warranties in the industry demonstrates commitment to quality
- Sound insulated for quiet operation
- Safe for properly sized septic tanks
- Full armor plating

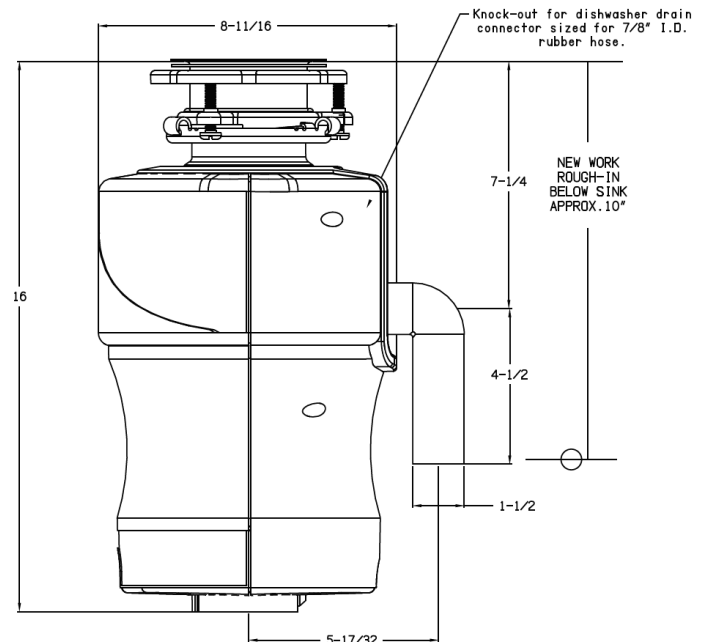


| ✓ To Submit | Part # | Description |
|-------------|----------|----------------------------------|
| | LXFIN34C | 3/4 HP Disposer, with Power Cord |

| SPECIFICATIONS | |
|---------------------|--|
| Motor Horse Power | 3/4 HP |
| Motor Speed R.P.M. | 2700 |
| Voltage | 115 |
| Hz | 60 |
| Current-Amps | 6 |
| Motor Type | Permanent Magnet |
| Sink Flange | Stainless Steel |
| Stopper/Actuator | Positive Seal |
| Splash Guard | Not Removable |
| Waste Elbow | ABS |
| Feed | Continuous |
| Grinding Ring | Stainless Steel |
| Swivel Impellers | Stainless Steel |
| Turntable | Stainless Steel |
| Hopper | Glass Filled Nylon |
| Grinding Chamber | Corrosion Proof Glass Filled Polyester |
| Bearings | Permanently Lubricated, Sleeve Type |
| Overload Protector | Manual Reset Type |
| Shipping Weight | 15 Lbs. |
| Power Cord Included | 3 Ft. |



In-home Service Warranty covers replacement parts and repair labor to correct defects in materials and workmanship from the date of purchase. If service is requested during the warranty period, we will replace or repair the disposer in the customer's home at no charge. This warranty is limited to the original purchaser.



Warranty

See warranty information for more details.

All dimensions listed are nominal. LUXART® reserves the right to make product and material changes at any time without notice.

Contact your sales representative for more information or visit our website at luxartcollection.com