

Freestanding Tub

Luxart®
VitaBella

Product Specifications

LUXART®
FELICIANA®

Luxart VitaBella tubs are made of mineral composite, an organic mixture of ground natural minerals and binding agents that are liquefied, poured and then hardened. The result is molded stone, solid through and through with no layers, hollow or void areas and a deep-soak bath experience unlike any other.



TECHINCAL SPECIFICATIONS

| | |
|------------------------|--------------------|
| Height | 615 mm / 24-1/4 in |
| Width | 700 mm / 27-1/2 in |
| Depth | 434 mm / 17-1/4 in |
| Length | 1400 mm / 55 in |
| Weight | 208.00 pounds |
| Shipping Weight | 240.00 pounds |
| Capacity (full) | 83 Gallons |
| Capacity (to overflow) | 70 Gallons |
| Drain | End |
| Overflow | Integrated |

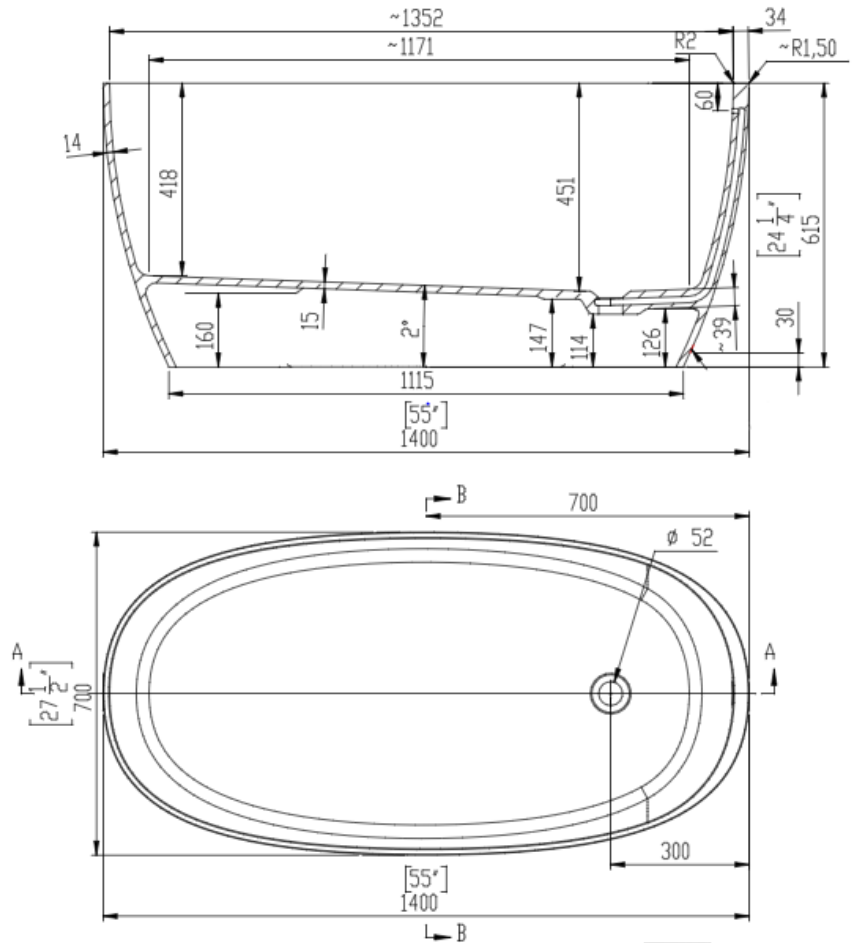
APPLICABLE STANDARDS/CODES

Specified model meets or exceeds the following:

- IAPMO/cUPC

AVAILABLE FINISHES:

- Gloss Finish – FELICIANA5527OF
- Matte Finish – FELICIANA5527OFM



Contact your sales representative for more information or visit our website at luxartcollection.com

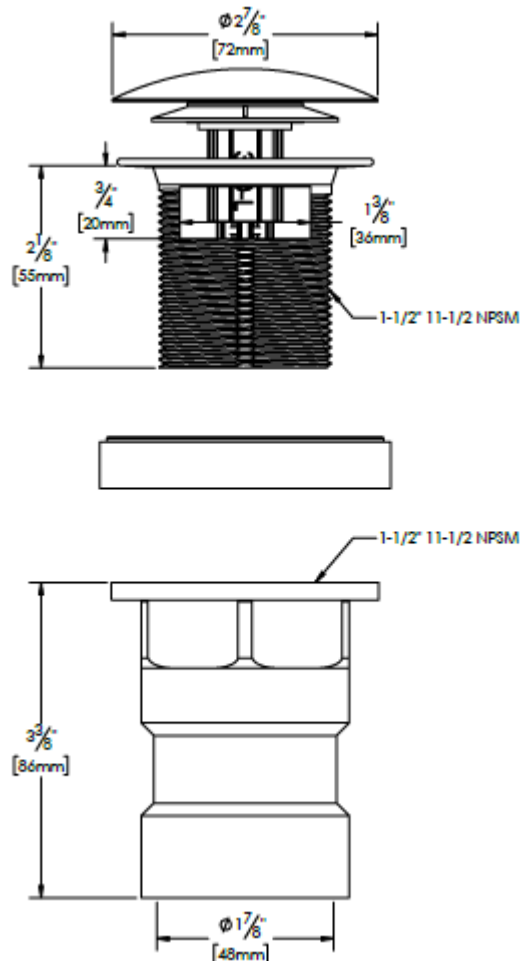
Freestanding Tub

Luxart®
VitaBella

Product Specifications

TECHINCAL SPECIFICATIONS

ABS Intergral Bath Tub Drain Assembly shall feature a Brass coarse thread strainer with 5/16-18 UNC thread-in crossbar and Integral overflow holes with vertical weeping channels. ABS fitting features an 1-1/2" DWV Hub.



Contact your sales representative for more information or visit our website at luxartcollection.com

Revised 2/26/2021