

Installation / Installation / Instalación

FRMIB12 Metal Fire Resistant Ice Box Using Metal Piping

Ratings: ASTM-E814 - 1 Hour (F), 45 Min (T)
CAN/ULC - S115 1 Hour (F/FH), 45 Min (FT/FTH)
ASTM-E814 - 2 Hour (F), 72 Min (T)
CAN/ULC- S115 2 Hour (F/FH), 2 Hour (FT/FTH)
Firestop Device, Design No. IPS/PV 120-02

1. Wall Construction

- Wood Or Steel Stud
- 1 Hour firewall construction consisting of each stud face being finished with 5/8 gypsum
- 2 Hour firewall construction consisting of each stud face being finished with 2 layers of 5/8 gypsum



2. Box Mounting

- Box should be securely fastened to stud with screws or nails
- Box units cannot be installed back to back within the same wall cavity.

3. Piping Options

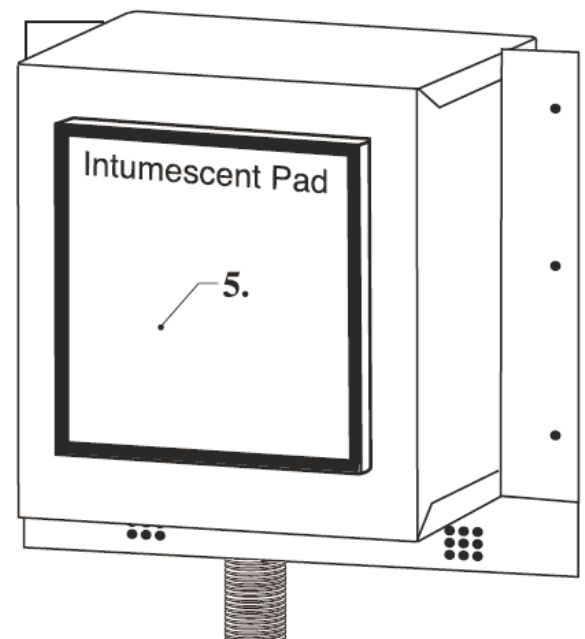
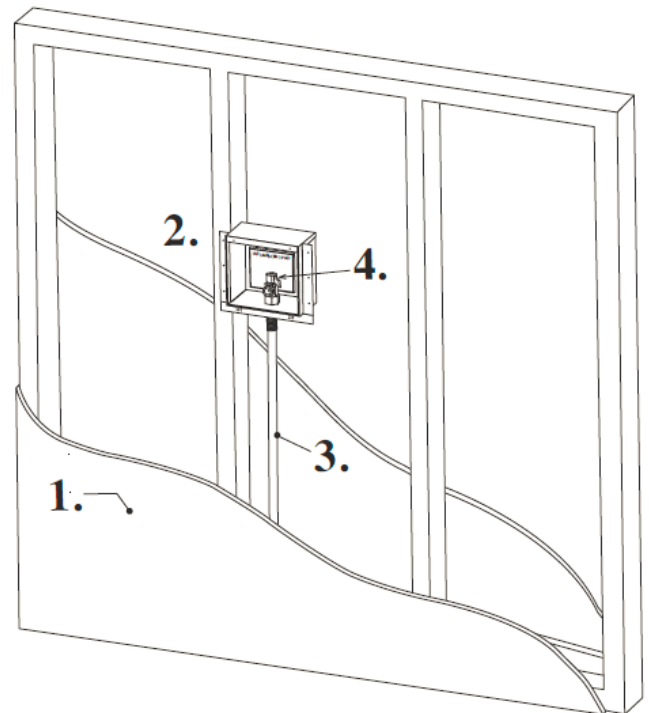
- Supply tubing may be either metallic or plastic

4. Valve Options

- Quarter turn valves with or without hammer arresters

5. Intumescent Pad

- The IPS FR12M Series Metal Ice Box is manufactured from heavy duty steel with a white powder coated finish. It has 2 factory installed intumescent pads (do not remove).
- Gaps between the box and the gypsum may be filled up to 1/2" with dry wall plaster.



Installation / Installation / Instalación

FRMIB12 Metal Fire Resistant Ice Box Using Plastic Piping

Ratings: ASTM-E814 - 1 Hour (F), 1 Hour (T)
CAN/ULC - S115 1 Hour (F/FH), 1 Hour (FT/FTH)
ASTM-E814 - 2 Hour (F), 72 Min (T)
CAN/ULC- S115 2 Hour (F/FH), 90 Min (FT/FTH)
Firestop Device, Design No. IPS/PV 120-02

1. Wall Construction

- Wood Or Steel Stud
- 1 Hour firewall construction consisting of each stud face being finished with 5/8 gypsum
- 2 Hour firewall construction consisting of each stud face being finished with 2 layers of 5/8 gypsum



2. Box Mounting

- Box should be securely fastened to stud with screws or nails
- Box units cannot be installed back to back within the same wall cavity.

3. Piping Options

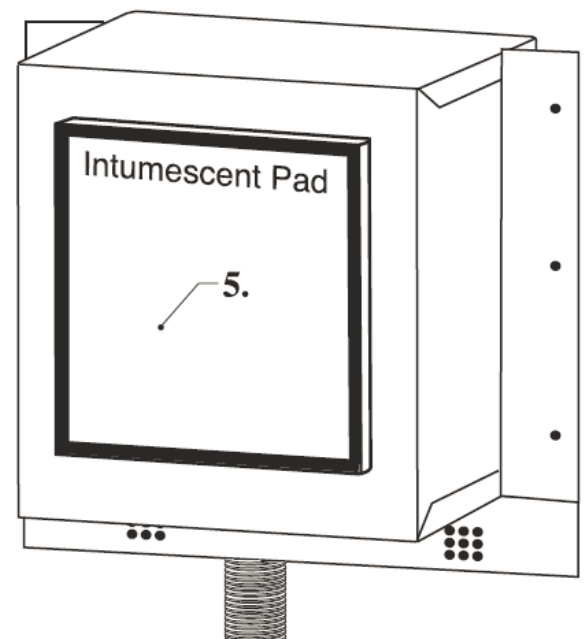
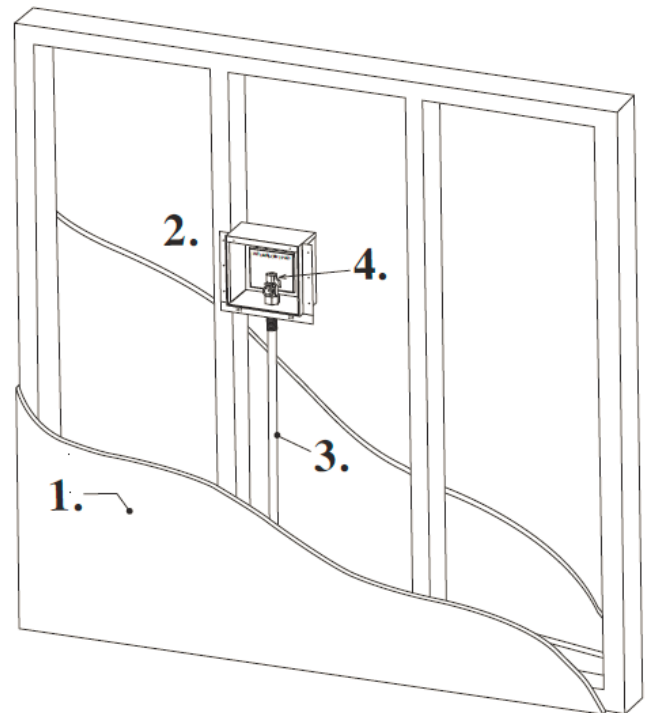
- Supply tubing may be either metallic or plastic

4. Valve Options

- Quarter turn valves with or without hammer arresters

5. Intumescent Pad

- The IPS FR12M Series Metal Ice Box is manufactured from heavy duty steel with a white powder coated finish. It has 2 factory installed intumescent pads (do not remove).
- Gaps between the box and the gypsum may be filled up to 1/2" with dry wall plaster.





WARRANTY INFORMATION

Mainline products will be covered by IPS Corporation's limited warranty. It is as follows:

IPS Corporation ("IPS Corp.") warrants to all original purchasers of IPS Corp. products that all new IPS Corp. products shall be of good quality and free from defects in material and workmanship for the product's shelf life. If any IPS Corp. product becomes defective, or fails to conform to this written limited warranty under normal use and storage conditions, and if the original purchaser complies with the terms of this limited warranty, then IPS Corp. will, without charge, replace the nonconforming product.

This limited warranty shall extend to all products manufactured and sold by IPS Corp. However, this limited warranty shall not extend to, nor shall IPS Corp. be responsible for, damages or loss resulting from accident, misuse, negligent use, improper application, or incorporation of IPS Corp. products into other products. In addition, any repackaging of IPS Corp. products also shall void the limited warranty provided herein. Hajoca locations can contact their IPS Sales Agents or IPS Customer Service directly to report suspected defective products.

Specific Brand Warranty Statements:

WELD-ON. All IPS products are intended for use by skilled individuals at their own risk. Any suggestions or recommendations we give are based on information and results from our in house laboratory testing. Therefore, installers should verify for themselves that they can make satisfactory joints under varying conditions, making sure that installation method and products used are suited for their application. Please contact us for additional information or instruction media. Since specific use, materials and handling are not controlled by IPS Corporation; our warranty is limited to the replacement of defective IPS products.

WATER-TITE & GUY GRAY. Water-Tite Product's warranty shall be limited to replacement or credit not to exceed the original invoice price. IPS shall not be liable for installation or labor costs. All IPS merchandise is guaranteed against defects in materials or workmanship for a period of one year from the date of purchase. Determination of a product's condition (defective or not) shall remain the sole right of IPS Corporation and any such determination will be final.

STUDOR. All Studor products carry a limited life time warranty which guarantees against defects resulting from faulty workmanship or materials. If any such product is found to be defective by reason of faulty workmanship or material, upon written notice and return of the product(s), the defective product will be replaced by Studor free of charge, including shipping charges for the replacement product(s). Claims for labor costs and other expenses required to replace such defective product(s) or to repair any damage resulting from the use thereof will not be allowed

by Studor. Our liability is limited to the price paid for the defective product(s). Studor will not be bound by any warranty other than above set forth, unless such warrant is in writing.

TEST-TITE. IPS Corporation warrants each pneumatic test plug to be free from defects in materials and workmanship for a period of THREE (3) Years from the date of manufacture, under normal use and service. This warranty does not apply to any goods which have been subjected to misuse, mishandling, misapplication, neglect or repair other than by the manufacturer. If any pneumatic test plug is returned to IPS Corporation in Collierville, TN and if upon examination, IPS Corporation finds to its satisfaction that such pneumatic test plug is defective, IPS Corporation will replace the product at no cost. IPS Corporation is not responsible for any special, indirect, incidental or consequential damages (including, but not limited to damages for loss of business profits, opportunity, information, interruption or other pecuniary loss), arising out of or relating to the use, abuse or misuse of Test-Tite products, even if IPS Corporation has been advised of the possibility of such damages IPS Corporation's liability to the customer or any third person or party in all instances shall be limited to the actual purchase price of the defective Test-Tite product. The warranty herein made is in lieu of other warranties, expressed, implied in fact or implied by law and without the generality of forgoing disclaimer, is specifically in lieu of all implied warranties of quality or fitness for purpose. Except as expressly set forth herein, the customer assumes the entire risk as to the acceptability, quality and performance of the Test-Tite products and any decision made or actions taken with respect to such Test-Tite products.

TRUEBRO. Truebro warrants its products against defective material and manufacture, (but not defective installation), for one year after installation. Truebro's liability under this warranty shall be limited to the repair or replacement of the defective product. There shall be no other remedy available, including without limitation, recovery for incidental or consequential damages, injury to person or property, or any other incidental or consequential loss. The preceding warranty shall be IN LIEU of any other warranty, express or implied, including without limitation, any implied warranty of MERCHANTABILITY or fitness for a particular purpose. Some states do not allow the exclusion or limitation on the period of warranty or incidental or consequential damages.

AB&A. AB&A products are carefully inspected for manufacturing defects; however, it is not always possible to detect hidden defects. Said products are warranted only to the extent that Seller will replace without charge, products proved to have manufacturing defects within 6 months of the date of delivery thereof and provided Seller has been given an opportunity to inspect the product alleged to be defective and the installation or use thereof. NO WARRANTY IS INCLUDED AGAINST ANY EXPENSE FOR REMOVAL, REINSTALLATION OR OTHER CONSEQUENTIAL DAMAGES ARISING FROM ANY DEFECT. THE WARRANTIES SET OUT ABOVE ARE THE ONLY WARRANTEIS MADE BY SELLER AND ARE EXPRESSLY IN LIEU OF ALL OTHER WARRANTIES, EXPRESS OR IMPLIED, INCLUDING THE WARRANTIES OF MERCHANTABILITY AND FITNESS OR A PARTICULAR PURPOSE.

CAUTION: Threaded joints should not be excessively tightened. Use thread compounds specifically intended either for ABS or PVS assembly, as the case may be, **DO NOT** use linseed oil putty products for thread lubricant. Many oil based putty compounds are not compatible with plastics.

SPECIAL FINISHES: Limited Warranty: IPS Corporation warrants that its products are free from defects in materials and workmanship for a period of 6 months. All PVD finishes (including Satin, Nickel, and Polished Brass), are warranted for 15 years against corrosion, tarnishing or discoloring. This warranty does not cover damage due to normal wear and tear, misuse, hard water, improper storage, improper installation, and improper maintenance.

Weathered finishes and uncoated finishes such as Oil Rubbed Bronze and Venetian Bronze naturally change over time. Weathered and uncoated finishes are not warranted. Chrome Plated Drain finishes on kitchen, bath, or lavatory drains are warranted for (1) year from date of purchase by the original purchaser.

Claims: All claims for defective products, shipment shortages, and billing errors must be made within one week after receipt of goods. Claims should be submitted to your authorized dealer for local manufacturer representative. To locate your local manufacturer representative, please call 1-800-888-8312.

Installation: Decorative items should be the last items to be installed after cleaning of the surrounding areas.

Care and Cleaning of Special Finishes: Use a soft cloth with water to clean. Do not use Abrasives, Caustic cleaning agents or acid based products, for they may permanently damage the finish and void the warranty.